

# 2 JETINOX AD

## DOMESTIC CONSTANT PRESSURE BOOSTER SETS WITH ACTIVE DRIVER



### TECHNICAL DATA

**Operating range:** from 0,4 to 14,4 m<sup>3</sup>/h

**Pumped liquid:** clean, free of solids and abrasives, non viscous, non aggressive, non crystallised and chemically neutral, with properties similar to water.

**Pumped liquid temperature range:** from 0 °C to +35 °C for domestic use.

**Maximum ambient temperature:** +40°C

**Maximum operating pressure:** PN10

**Special executions on request:** contact our sales network.

**Protection class:** IP44

### APPLICATIONS

Pressure booster sets particularly suited for domestic use, and small civil, agricultural, or industrial systems, where the function required is the self-priming of the pump (suction capability also if air bubbles are present).

Their main features are reliability, simple operation, and minimum maintenance requirements.

### CONSTRUCTION FEATURES - COMPONENTS

#### HYDRAULIC SECTION

2 JET centrifugal self-priming pumps.

Galvanized sheet steel base complete with 4 rubber anti-vibration feet.

AISI 304 STAINLESS STEEL suction and delivery manifolds in .

Ball valves with unions on the suction and delivery ports of each pump.

Check valves on the suction port of each pump.

2 AISI 304 STAINLESS STEEL plug for closing the manifolds.

Radial manometer with isolator valve.

1 8 litre membrane pressure tank (it optimises the number of pump starts).

#### ELECTRICAL SECTION

1 Active Driver module on the delivery line of each pump (see Active Driver information at the beginning of this section).

1 protection control unit.

### MULTI INVERTER SYSTEM WITH ACTIVE DRIVER

The inverter provides constant control of the rotation speed of the electric pump, ensuring constant pressure despite flow rate variations.

The other electric pumps, also with variable speed, are activated in cascade after the first one has reached maximum speed. Through modulation, they compensate the pressure fluctuations of the system.

For every operating cycle, it is possible to switch the restart to a different pump, therefore ensuring even use of all electric pumps.

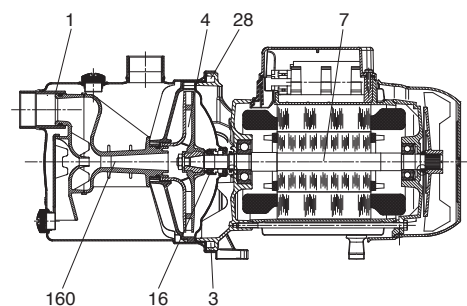
It is possible to set operation times for each individual pump, switching to another pump after such set times.

The "SP" pressure can be adjusted by the user using two "+" and "-" keys on the A.D. (as a rule, all the pumps are set to the same pressure value).

## MATERIALS

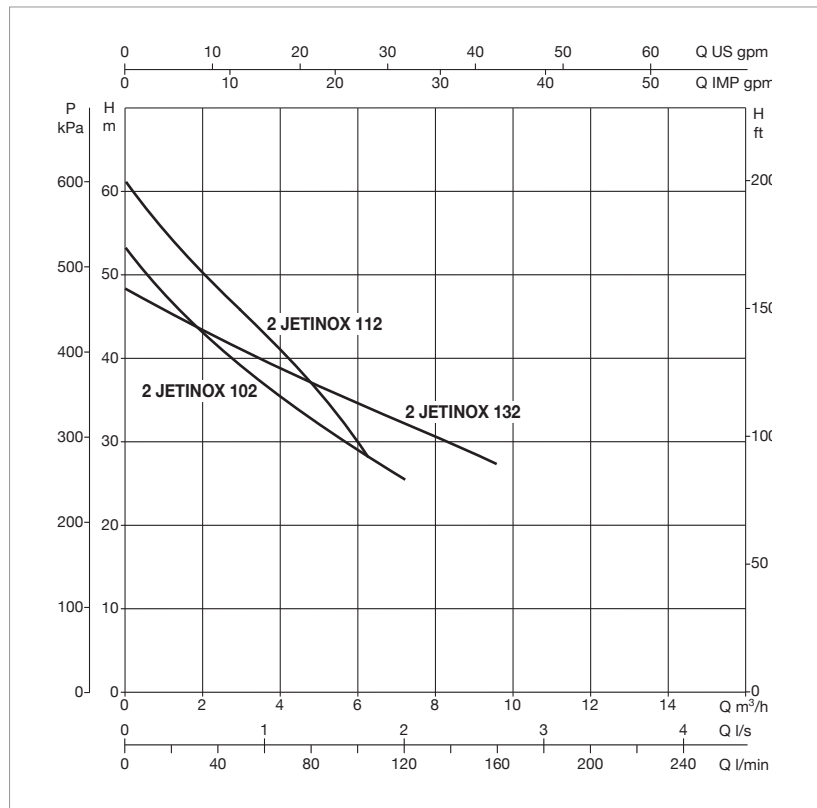
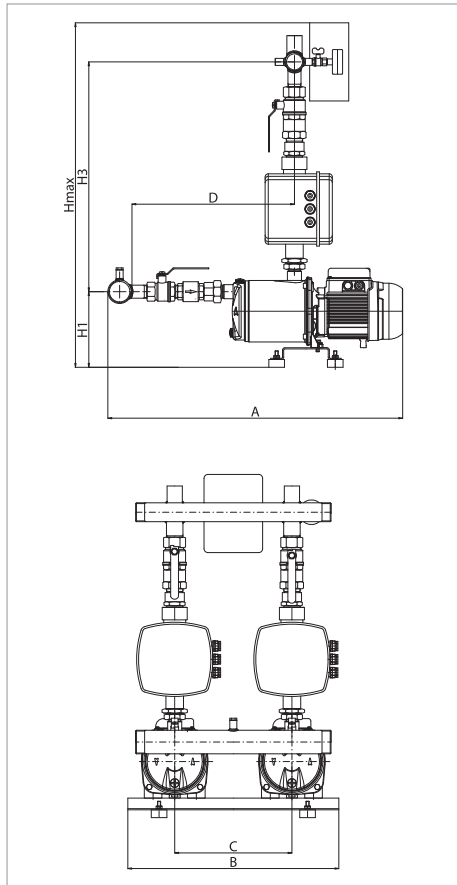
N.	PARTS*	MATERIALS
1	PUMP BODY	AISI 304 STAINLESS STEEL X5 CRNi 1810 - UNI 6900/71
4	IMPELLER	TECHNOPOLYMER A
7	SHAFT WITH ROTOR	AISI 416 X12 2 UNI 6900/71 STAINLESS STEEL
16	MECHANICAL SEAL	CARBON / CERAMIC
28	OR RING	NBR RUBBER
36	SEAL COVER	AISI 304 STAINLESS STEEL X5 CRNi 1810 - UNI 6900/71
160	VENTURI DIFFUSER NOZZLE ASSEMBLY	TECHNOPOLYMER A

\* In contact with the liquid



## 2 JET AD - DOMESTIC PRESSURE BOOSTER SETS

Pumped liquid temperature range: from 0 °C to +35 °C - Maximum ambient temperature: +40 °C - Max flow rate: 14.4 m<sup>3</sup>/h



The performance curves are based on kinematic viscosity values = 1 mm<sup>2</sup>/s and density equal to 1000 kg/m<sup>3</sup>.  
Curve tolerance according to ISO 9906. **Overall performance taking into account TWO pumps working at the same time.**  
The performance results of sets with smaller pumps (e.g. 2JETINOX 92) are obtained through simple calibration of the AD module.

MODEL	POWER INPUT 50 Hz	P2 NOMINAL		ACTIVE DRIVER MODEL	In (set) A	FLOW m <sup>3</sup> /h	MAX PRESSURE BAR	STANDARD PRESSURE BAR
		kW	HP					
<b>2 JETINOX AD 102.</b>	1x220-240 V~	2x0,75	2x1	MT 1,0	2x5,7	6.6-3.0	5	4
<b>2 JETINOX AD 112.</b>	1x220-240 V~	2x1	2x1,36	MT 1,0	2x7,4	6.6-3.0	5,8	4,5
<b>2 JETINOX AD 132.</b>	1x220-240 V~	2x1	2x1,36	MT 1,0	2x8,1	9.6-3.0	4,6	3,5

MODEL	A	B	C	D	H max	H1	H3	DNA	DNM	PACKING DIMENSIONS			VOLUME m <sup>3</sup>	WEIGHT kg
										L/A	L/B	H		
<b>2 JETINOX AD 102.</b>	755	540	300	416	882	193	588	2"	1" 1/2	850	610	1000	0,52	56
<b>2 JETINOX AD 112.</b>	755	540	300	416	882	193	588	2"	1" 1/2	850	610	1000	0,52	56
<b>2 JETINOX AD 132.</b>	755	540	300	416	882	193	588	2"	1" 1/2	850	610	1000	0,52	56

The sets are supplied in a sturdy cardboard packaging on wooden pallet and installation / maintenance manual.