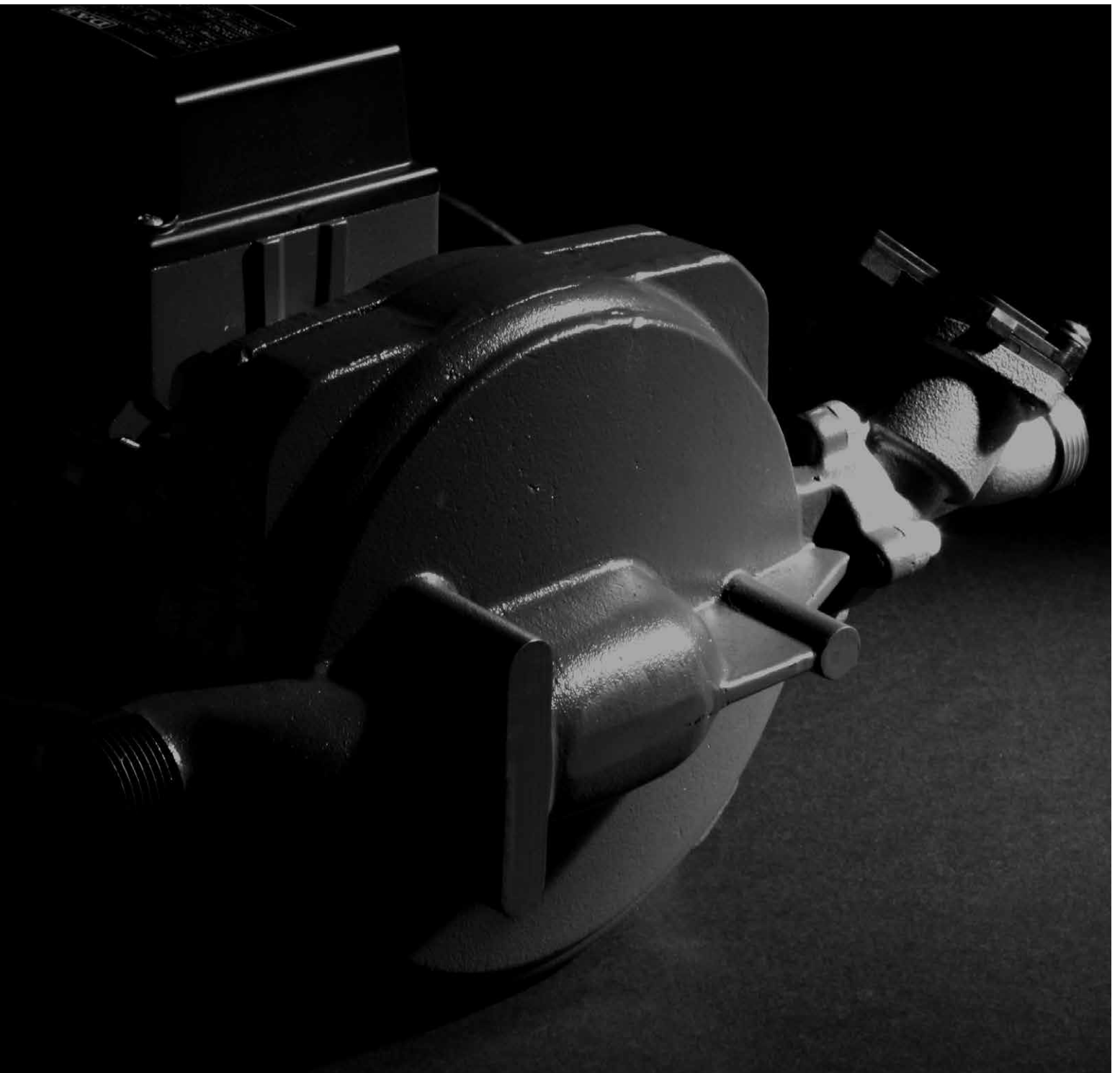
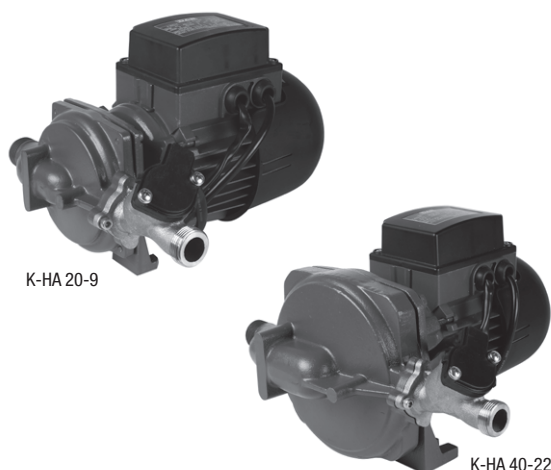


# K-HA

CENTRIFUGAL PRESSURE BOOSTING PUMPS







### TECHICAL DATA

**Operating range:** up to 4,2 m<sup>3</sup>/h with head up to 22m.

**Liquid quality requirements:** clean, free from solids or abrasive substances, non viscous, non aggressive, non crystallized, chemically neutral, close to the characteristics of water.

**Liquid temperature range:** from 0°C to +100 °C

**Ambient temperature:** from -10°C to +55 °C

**Enviroment humidity:** ≤ 95%

**Maximum operating pressure:** 4 bar (35° C liquid temperature), 2 bar (65° C liquid temperature)

**Minimum automatic (flow switch) operating pressure:** 0,5 mwc

**Minimum automatic (flow switch) operating flow:** 2,5 l/min

### APPLICATIONS

K-HA single impeller centrifugal pump is designed for water pressure boosting in households, flats (domestic properties) to provide additional pressure to hot and cold water taps and similar outlet points. K-HA centrifugal pump is mainly for use in open vented systems(tanks), but may also be installed directly on the incoming water mains supply to feed a boiler, provided approval has been obtained from the local Water Company. The pump incorporates a flow switch which starts and stops the pump according to flow when a tap is opened or closed. The pump is supplied with a 0,3 meter power cable.

### CONSTRUCTION FEATURES OF THE PUMP

- Cast iron pump body and motor support with cataphoresis coating.
- Brass flow switch body.
- Technopolymer impeller.
- Carbon / ceramic mechanical seal.

### PLUS

- Flow switch in brass, directly assembled on the delivery port of the pump body (45° from vertical)
- Automatic (by flow switch) or manual operating modes
- Easy way fixing bracket
- Rubber foot to increase pump stability
- Silent operating

### CONSTRUCTION FEATURES OF THE MOTOR

Induction motor, closed and cooled with external ventilation.

Rotor mounted on oversized greased sealed-for-life ball bearings to ensure silent running and long life.

Built-in thermal and current overload protection and a capacitor permanently in circuit.

Motor protection: IP 44.

Insulation class: F.

Standard voltage: single phase ~220V / 50 Hz.

Motor construction in conformity with standards CEI 2-3 - CEI 61-69 (EN 60335-2-41).

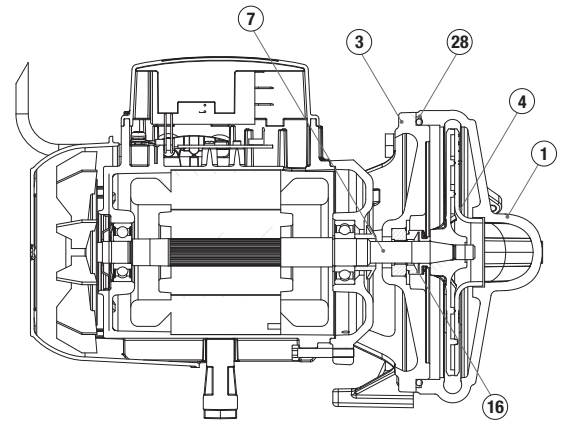
# K-HA

## CENTRIFUGAL PRESSURE BOOSTING PUMPS

### MATERIALS

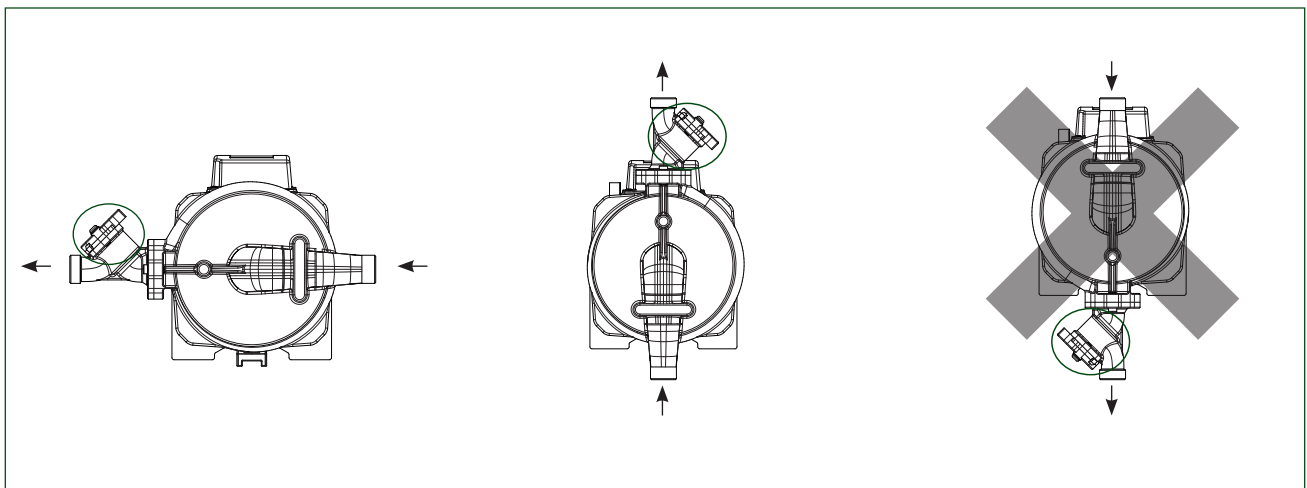
N.	PARTS *	MATERIALS
1	PUMP BODY	CAST IRON WITH CATAPHORESIS COATING
3	SUPPORT	CAST IRON WITH CATAPHORESIS COATING
4	IMPELLER	TECHNOPOLYMER B
7	SHAFT	STAINLESS STEEL AISI 416 X12CrS13 UNI 6900/71
16	MACHANICAL SEAL	CARBON/CERAMIC/HNBR
28	O-RING	NBR RUBBER

\* In contact with liquid.



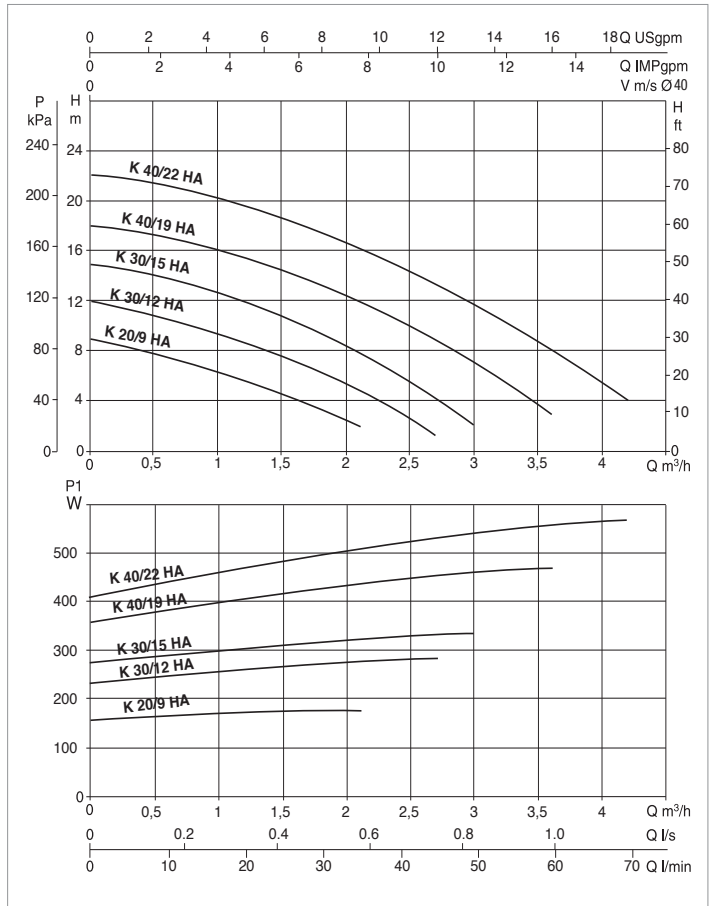
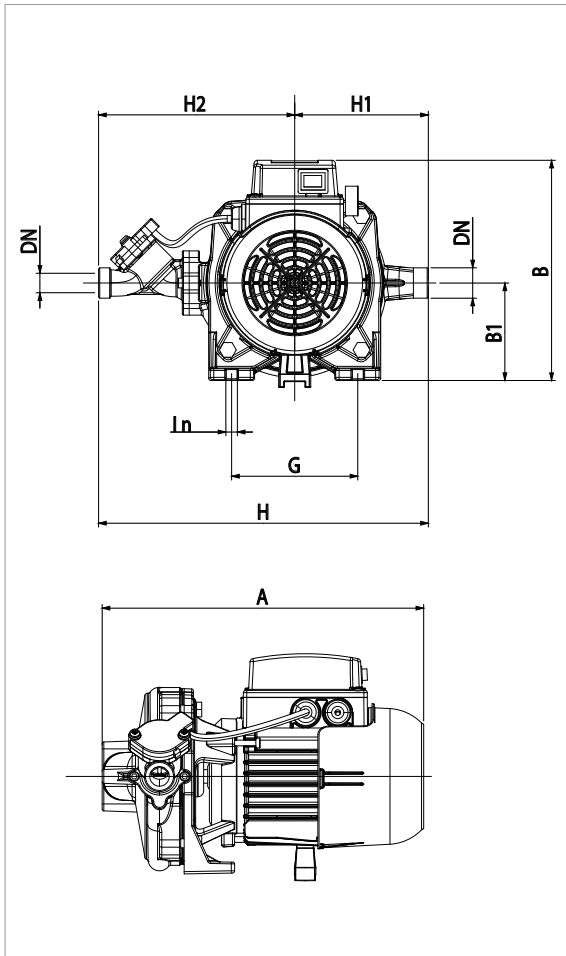
### INSTALLATION

The series K pump is provided with a flow switch that controls the operation of the motor, located at the base of the water discharge, so as to avoid damage to the motor when running at minimum speed.



# K-HA - CENTRIFUGAL PRESSURE BOOSTING PUMPS FOR WATER PRESSURE BOOSTING IN HOUSEHOLDS

Liquid temperature range: from 0 °C to +100 °C - Maximum ambient temperature: from -10 °C to +55 °C



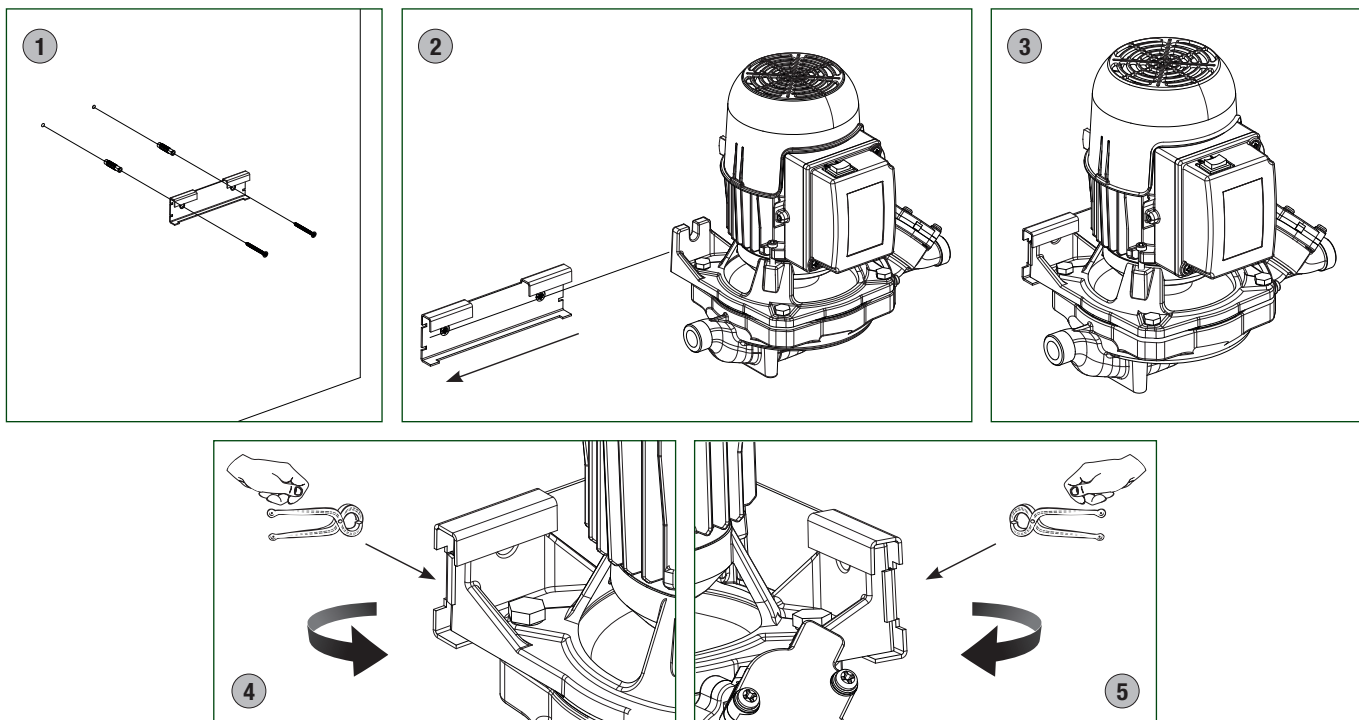
The performance curves are based on kinematic viscosity values = 1 mm<sup>2</sup>/s and density equal to 1000 kg/m<sup>3</sup>.  
Curve tolerance according to ISO 9906.

MODEL	Q=m <sup>3</sup> /h	0	0,5	1	1,5	2	2,5	3	3,5	4
	Q=l/min	0	8,3	16,6	25	33,3	41,6	50	58,3	66,6
K 20/9 HA	H (m)	8,9	7,8	6,3	4,5	2,5				
K 30/12 HA		12	10,8	9,3	7,6	5,4	2,6			
K 30/15 HA		14,8	14,1	12,7	10,7	8,4	5,4			
K 40/19 HA		18	17,3	16,1	14,4	12,4	10	7	3,6	
K 40/22 HA		22	21,4	20,2	18,6	16,6	14,3	11,7	8,7	5,5

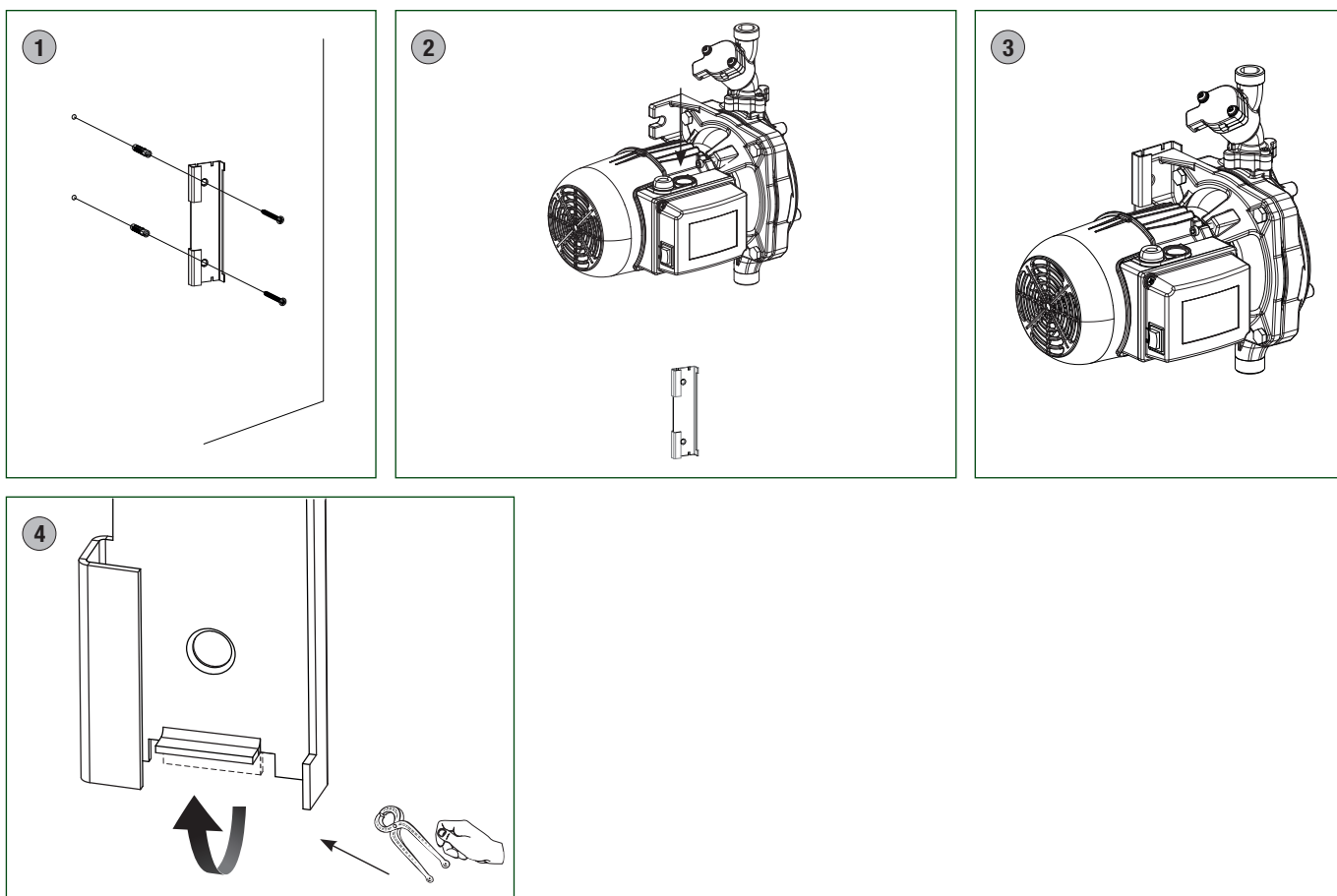
MODEL	VOLTAGE 50 Hz	P1 MAX kW	P2 NOMINAL		In A	I.st. A	cos φ	CAPACITOR (μF)	HOSE DIAMETER (mm)	MAXIMUM FLOW RATE (m <sup>3</sup> /h)	MAXIMUM HEAD (m)
			KW	HP							
K 20/9 HA	220 V	0,18	0,03	0,12	0,82	2,89	0,926	8	ø 16 mm	2,10	9
K 30/12 HA	220 V	0,28	0,12	0,16	1,28	4,09	0,969	8	ø 16 mm	2,40	12
K 30/15 HA	220 V	0,34	0,18	0,25	1,5	4,09	0,98	8	ø 16 mm	3,00	15
K 40/19 HA	220 V	0,47	0,25	0,34	2,25	7,6	0,905	8	ø 16 mm	3,60	18
K 40/22 HA	220 V	0,57	0,37	0,5	2,54	7,6	0,932	8	ø 16 mm	4,20	22

MODEL	A	B	B1	DN	G	H	H1	H2	I Ø	WEIGHT (kg)
K 20/9 HA	253	172	65	G ¾"	70	231	83	148	8	5,4
K 30/12 HA	282	192	85	G ¾"	110	287,5	116,5	171	9,5	7,9
K 30/15 HA	282	192	85	G ¾"	110	287,5	116,5	171	9,5	7,9
K 40/19 HA	280,5	192	85	G ¾"	110	287,5	116,5	171	9,5	8,9
K 40/22 HA	280,5	192	85	G ¾"	110	287,5	116,5	171	9,5	8,9

### FIXPLATE INSTALLATION 1



### FIXPLATE INSTALLATION 2





# DNA<sup>®</sup>

PUMPS SELECTOR



## On-line product selection



**DAB PUMPS LTD.**

Unit 4 and 5, Stortford Hall Industrial Park,  
Dunmow Road,  
Bishops Stortford,  
Herts  
CM23 5GZ - UK  
salesuk@dwtgroup.com  
Tel. +44 1279 652 776  
Fax +44 1279 657 727



**DAB PUMPS B.V.**

Brusselstraat 150  
B-1702 Groot-Bijgaarden - Belgium  
info.belgium@dwtgroup.com  
Tel. +32 2 4668353  
Fax +32 2 4669218



**DAB PUMPS B.V.**

Albert Einsteinweg, 4  
5151 DL Drunen - Nederland  
info.netherlands@dwtgroup.com  
Tel. +31 416 387280  
Fax +31 416 387299



**DAB PUMPEN DEUTSCHLAND GmbH**

Tackweg 11  
D - 47918 Tönisvorst - Germany  
info.germany@dwtgroup.com  
Tel. +49 2151 82136-0  
Fax +49 2151 82136-36



**DAB PUMPS IBERICA S.L.**

Avenida de Castilla nr.1 Local 14  
28830 - San Fernando De Henares - Madrid  
Spain  
info.spain@dwtgroup.com  
Tel. +34 91 6569545  
Fax: +34 91 6569676



**DAB PRODUCTION HUNGARY KFT.**

H-8800  
Nagykanizsa, Buda Ernő u.5  
Hungary  
Tel. +36 93501700



**DAB PUMPS POLAND Sp. z o.o.**

Mokotów Marynarska  
ul. Postępu 15C  
02-676 Warszawa - Poland  
polska@dabpumps.com.pl  
Tel. +48 223 816 085



**DAB UKRAINE Representative Office**

Regus Horizon Park  
4 M. Hrinchenka St, suit 147  
03680 Kiev - Ukraine  
Tel. +38 044 391 59 43



**OOO DAB PUMPS**

Novgorodskaya str. 1, block G  
office 308, 127247, Moscow - Russia  
info.russia@dwtgroup.com  
Tel. +7 495 122 0035  
Fax +7 495 122 0036



**DAB PUMPS INC.**

3226 Benchmark Drive  
Ladson, SC 29456 - USA  
info.usa@dwtgroup.com  
Tel. 1-843-824-6332  
Toll Free 1-866-896-4DAB (4322)  
Fax 1-843-797-3366



**DWT SOUTH AFRICA**

Podium at Menlyn,  
3rd Floor, Unit 3001b, 43 Ingersol Road,  
C/O Lois and Atterbury street,  
Menlyn, Pretoria, 0181 - South-Africa  
info.sa@dwtgroup.com  
Tel. +27 12 361 3997  
Fax +27 12 361 3137



**DAB PUMPS CHINA**

No.40 Kaituo Road, Qingdao Economic & Technological  
Development Zone  
Qingdao City, Shandong Province - China  
PC: 266500  
info.china@dwtgroup.com  
Tel. +8653286812030-6270  
Fax +8653286812210



**DAB PUMPS DE MÉXICO, S.A. DE C.V.**

Av Gral Álvaro Obregón 270, oficina 355  
Hipódromo, Cuauhtémoc 06100  
México, D.F.  
Tel. +52 55 6719 0493