

PAG series Film Type Vacuum Pad

Product features

CHELIC

Feature

- Uniqueness: The lip material is thin and soft, and the sealing property of the easily deformable workpiece is improved.
- Diversification: Various sizes, materials and brackets can be selected.
- Convenience: The structure is simple and compact, easily to be replaced.



Vacuum pad material

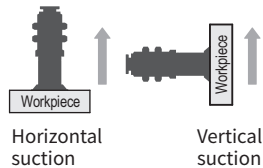
Mark	Vacuum pad material	Hardness (HS)	Ambient and fluid temperature	Color
S	Silicon, Silicone rubber	A55/S	-20~180°C	Blue

Vacuum control system

Theoretical suction is calculated from pad size and vacuum value, which is only a number for reference. Theoretical suction is a number under static status. Please reserve enough margin while adding workpieces and movement.

Before confirm the Qty and location of suction pad, please reserve enough margin.

● Suction type



● Calculation formula

$$W = \frac{P \times A}{-10}$$

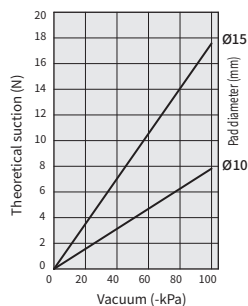
W: Force N

P : Vacuum pressure kPa

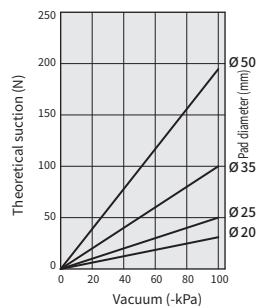
A : Pad area dimensions cm²

Theoretical suction

● Pad diameter: Ø10~Ø15mm



● Pad diameter: Ø20~Ø50mm





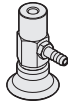


PAG series Film Type Vacuum Pad

Code of order

CHELIC

Code of order **PAG FS 10 x 4 S - R**

1 2 3 4 5

1	Bracket	Vertical entry	Vertical entry with fitting	Side entry	Vertical entry with spring	Side entry with spring
	Mark	F	K	T	FS	TS
	Image					

PA

PB

PC

PAG

PAO

PAP

PAQ

PAW

PAL

PBL

PCL

PAR

PS

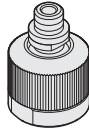
VP

2	Mark	10	15	20	25	35	50
	Pad dia. (mm)	Ø10	Ø15	Ø20	Ø25	Ø35	Ø50

3 ● Only available to FS, TS series

Mark	Stroke (mm)	Outer diameter (mm)	Mark	Stroke (mm)	Outer diameter (mm)
4	4	Ø10, Ø15	6	6	Ø20, Ø25 Ø35, Ø50
10	10		15	15	

4	Mark	Vacuum pad material	Hardness (HS)	Ambient and fluid temperature	Color
	S	Silicon, Silicone rubber	A60/S	-20~180°C	Blue

5		With ball joint type		
Mark	Outer diameter (mm)			
05	Ø10, Ø15			
20	Ø20, Ø25 Ø35, Ø50			

● Note: According to vacuum pad specification to py proper free holder.

● Note: Please refer to P3-2.96

PAG series selection table:

Pad type	1 Bracket	2 Pad dia.	3 Stroke	4 Vacuum pad material	5 Ball joint type
PAG	F • K • T • FS • TS	10	4 • 10	S	05
		15	6 • 15		20
		20			
		25			
		35			
		50			

Product weight

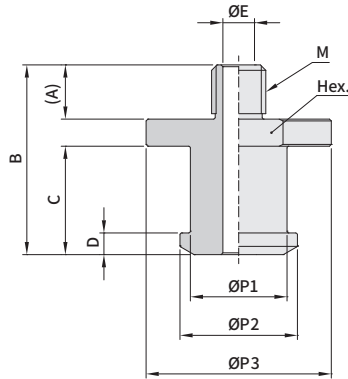
Item	PAG					
Model	10	15	20	25	35	50
Weight(g)	0.28	0.33	1.69	2.33	6.01	11.43

PAG series Film Type Vacuum Pad

Dimensions-Thin type PAG series

CHELIC

The joint size

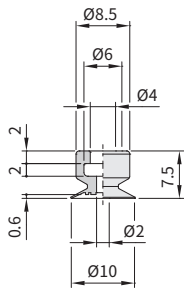


Unit: mm

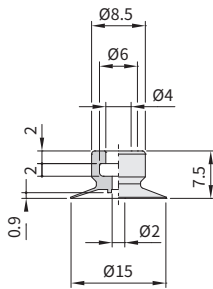
Model	M	A	B	C	D	ØE	ØP1	ØP2	ØP3	Cross Hex.	Applicable pad size
PAG 20-M6	M6x1	6	21.3	12.5	2	3	7.5	10.3	13	12	Ø20, Ø25
PAG 35-M6	M6x1	6	21.8	12	2.5	3	10.5	13.3	20.5	18	Ø35, Ø50

Vacuum pad size

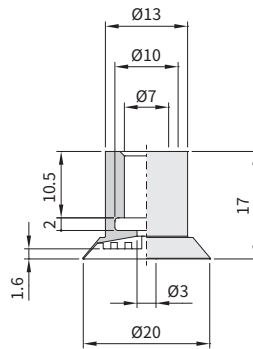
• PAG 10



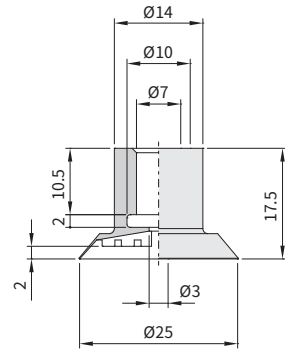
• PAG 15



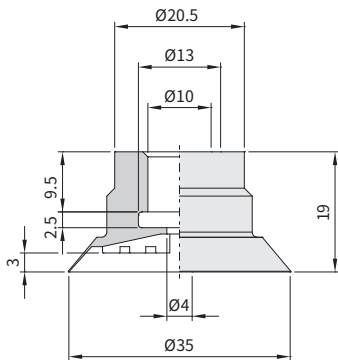
• PAG 20



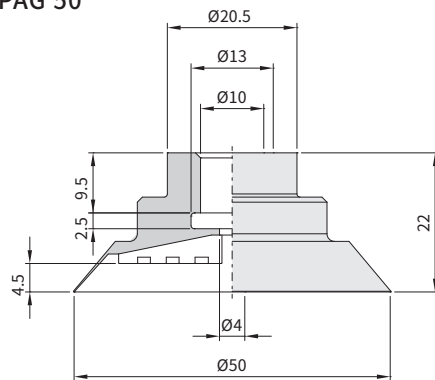
• PAG 25



• PAG 35



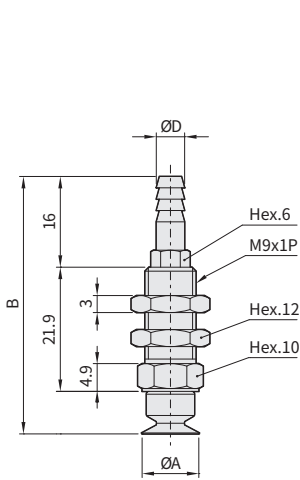
• PAG 50



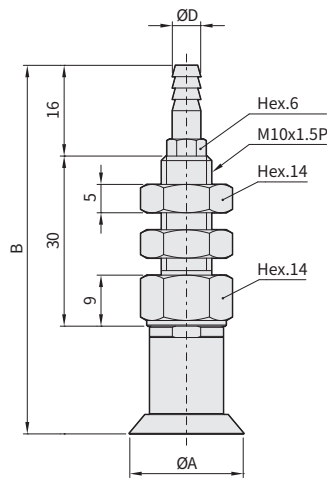
PAG series Film Type Vacuum Pad

Dimensions-Thin type PAGF series Vertical entry/ PAGK series Vertical entry with fitting **CHELIC**

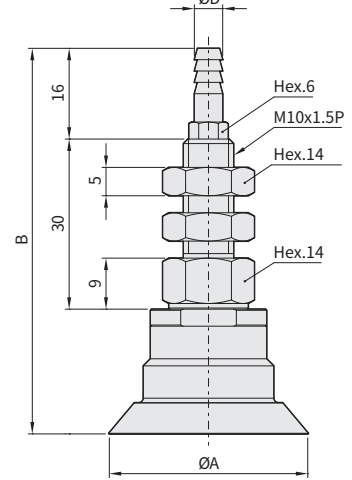
■ PAG **F** - 10, 15



■ PAG **F** - 20, 25



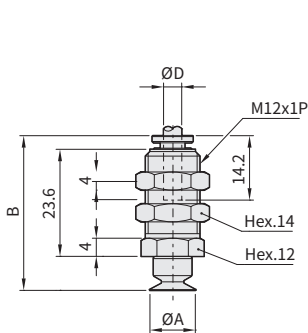
■ PAG **F** - 35, 50



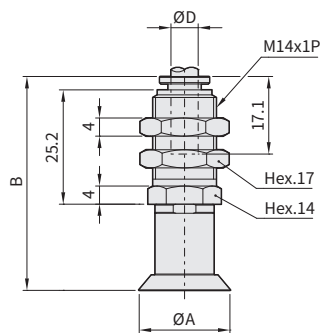
Unit: mm

Model	Size of PU tube Ø D	Pad dia. Ø A	Whole length B
PAG F - 10	6x4	10	45.4
PAG F - 15	6x4	15	45.4
PAG F - 20	6x4	20	66
PAG F - 25	6x4	25	66.5
PAG F - 35	6x4	35	67
PAG F - 50	6x4	50	72

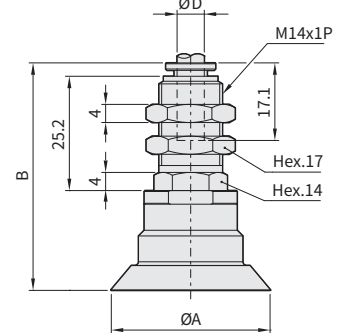
■ PAG **K** - 10, 15



■ PAG **K** - 20, 25



■ PAG **K** - 35, 50



Unit: mm

Model	Size of PU tube Ø D	Pad dia. Ø A	Whole length B
PAG K - 10	4	10	34.1
PAG K - 15	4	15	34.1
PAG K - 20	6	20	48.2
PAG K - 25	6	25	48.7
PAG K - 35	6	35	51.2
PAG K - 50	6	50	54.2

PA

PB

PC

PAG

PAO

PAP

PAQ

PAW

PAL

PBL

PCL

PAR

PS

VP

PAG series Film Type Vacuum Pad

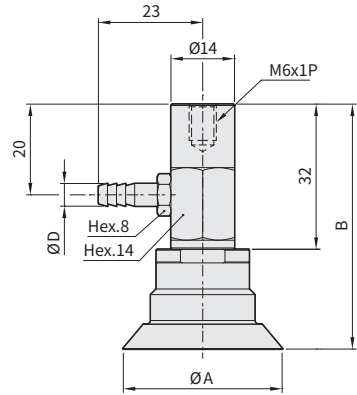
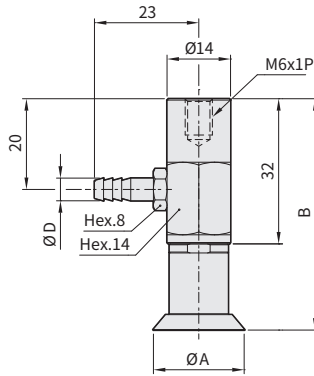
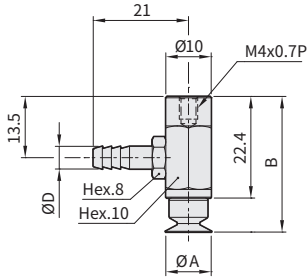
Dimensions-Thin type PAGT series/ Side entry

CHELIC

■ PAG T - 05

■ PAG T - 20, 25

■ PAG T - 35, 50



Unit: mm

Model	Size of PU tube ØD	Pad dia. ØA	Whole length B
PAG T - 10	6x4	10	29.9
PAG T - 15	6x4	15	29.9
PAG T - 20	6x4	20	52
PAG T - 25	6x4	25	52.5
PAG T - 35	6x4	35	55
PAG T - 50	6x4	50	68

PAG series Film Type Vacuum Pad

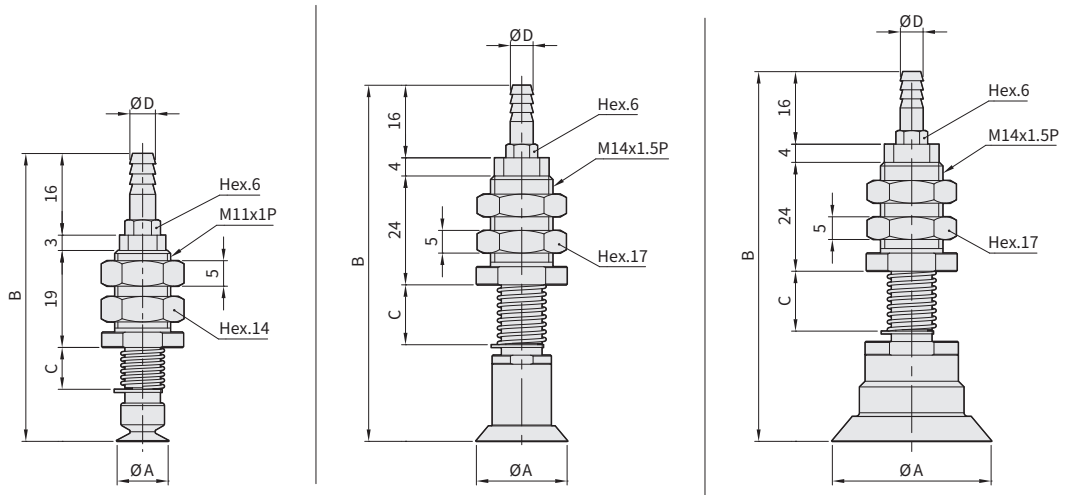
Dimensions-Thin type PAGFS series/ Vertical entry with spring

CHELIC

■ PAG **FS** - 10, 15 x **04**
 PAG **FS** - 10, 15 x **10**

■ PAG **FS** - 20, 25 x **06**
 PAG **FS** - 20, 25 x **15**

■ PAG **FS** - 35, 50 x **06**
 PAG **FS** - 35, 50 x **15**



Unit: mm

Model	Size of PU tube ØD	Pad dia. ØA	Whole length B	C
PAG FS - 10 x 04	6x4	10	56.4	8
PAG FS - 10 x 10			68.4	20
PAG FS - 15 x 04	6x4	15	56.4	8
PAG FS - 15 x 10			68.4	20
PAG FS - 20 x 06	6x4	20	79.5	12
PAG FS - 20 x 15			96.5	30
PAG FS - 25 x 06	6x4	25	80	12
PAG FS - 25 x 15			97	30
PAG FS - 35 x 06	6x4	35	82.5	12
PAG FS - 35 x 15			99.5	30
PAG FS - 50 x 06	6x4	50	85.5	12
PAG FS - 50 x 15			102.5	30

PA

PB

PC

PAG

PAO

PAP

PAQ

PAW

PAL

PBL

PCL

PAR

PS

VP

PAG series Film Type Vacuum Pad

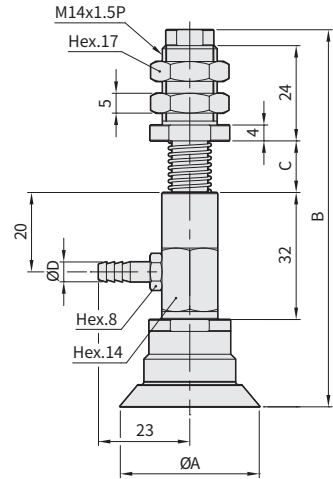
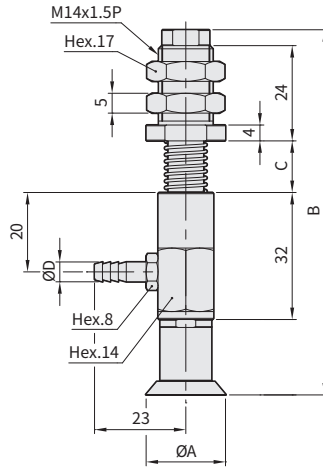
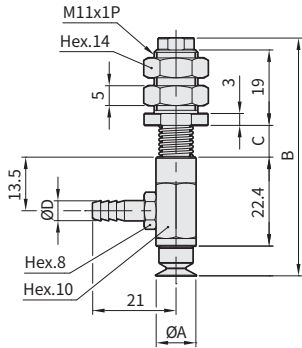
Dimensions-Thin type PAGTS series/ Side entry with spring

CHELIC

■ PAG **TS** - 10, 15 x **04**
 PAG **TS** - 10, 15 x **10**

■ PAG **TS** - 20, 25 x **06**
 PAG **TS** - 20, 25 x **15**

■ PAG **TS** - 35, 50 x **06**
 PAG **TS** - 35, 50 x **15**



Unit: mm

Model	Size of PU tube ØD	Pad dia. ØA	Whole length B	C
PAG TS - 10 x 04	6x4	10	59.9	8
PAG TS - 10 x 10			71.9	20
PAG TS - 15 x 04	6x4	15	59.9	8
PAG TS - 15 x 10			71.9	20
PAG TS - 20 x 06	6x4	20	93	12
PAG TS - 20 x 15			110	30
PAG TS - 25 x 06	6x4	25	93.5	12
PAG TS - 25 x 15			110.5	30
PAG TS - 35 x 06	6x4	35	96	12
PAG TS - 35 x 15			113	30
PAG TS - 50 x 06	6x4	50	96	12
PAG TS - 50 x 15			116	30