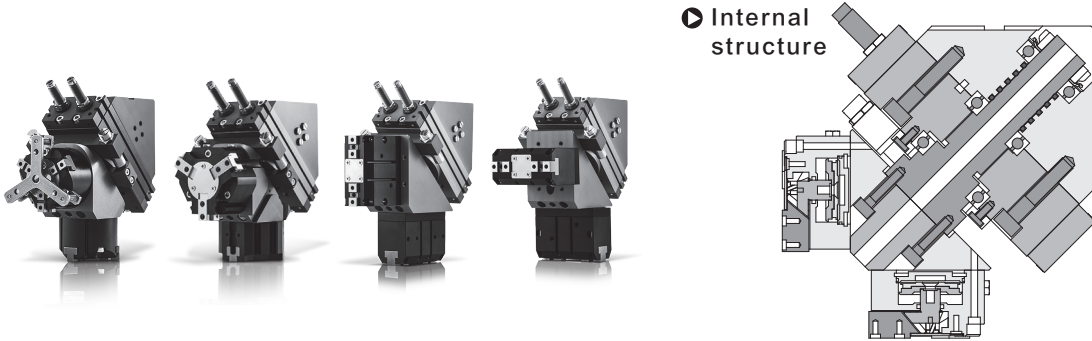


# RMT series 180° Rotation Air Gripper

Product features/ Code of order

**CHELIC.**

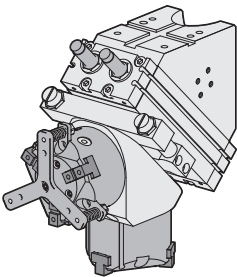


## Specification

Item	Bore size (mm)	25	50
Applicable gripper		HDQ, HMQ, HDW	
Action	Rotary cylinder	Double acting	
	Gripper	Double acting	
Fluid		Air or the air filtered with 40μ	
Pressure range	kgf/cm <sup>2</sup> (kPa)	4.5 ~ 7 (450 ~ 700)	
Max. operating pressure	kgf/cm <sup>2</sup> (kPa)	7.5 (750)	
Ambient and fluid temperature	°C	0 ~ 60	
Lubrication		Lubrication free type	
Port size	Rotary cylinder	M5X0.8	
	Gripper	M5X0.8	
Cushion type to rotary cylinder		Shock absorber	

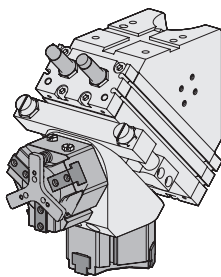
## Available grippers

● RMT-Q



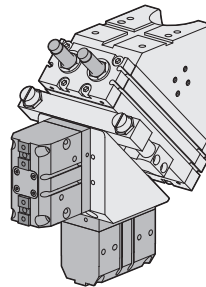
● HDQ Air Gripper

● RMT-M



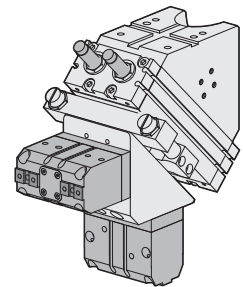
● HMQ Air Gripper

● RMT-W-V



● HDW Air Gripper  
(Vertica)

● RMT-W-H



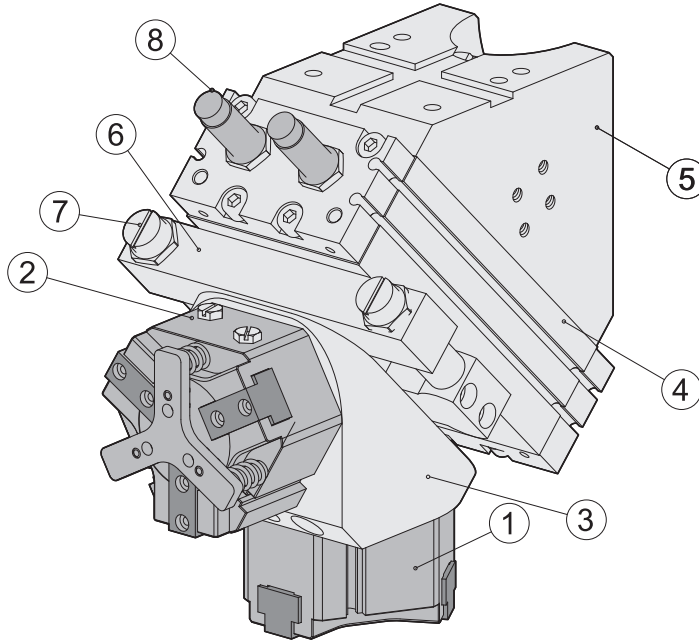
● HDW Air Gripper  
(Horizontal)

# RMT series 180° Rotation Air Gripper

## Main components

CHELIC

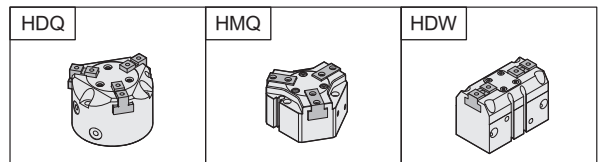
### ► Main components



HCW

RMT

RTL

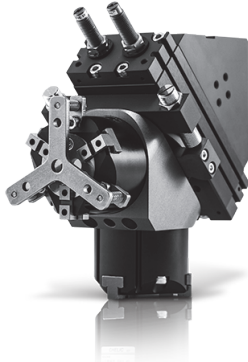


NO.	1	2	3	4	5	6	7	8
Item Model	Gripper	Gripper	Gripper base	Rotary cylinder	Base	Screw sub-base	Adjustment bolt	Shock absorber
RMT 25-Q 25	HDQ3-25	HDQ3-25-P	RMT 25-HDQ 25	RMT 25	RMT 25	RMT 25	M12x1.0P	SAT1007-N
RMT 25-Q 32	HDQ3-32	HDQ3-32-P	RMT 25-HDQ 32					
RMT 25-Q 40	HDQ3-40	HDQ3-40-P	RMT 25-HDQ 40					
RMT 25-M 25	HMQ-25	HMQ-25-P	RMT 25-HMQ 25					
RMT 25-M 32	HMQ-32	HMQ-32-P	RMT 25-HMQ 32					
RMT 25-M 44	HMQ-44	HMQ-44-P	RMT 25-HMQ 44					
RMT 25-W 25	HDW 25	HDW 25	RMT 25-HDW 25					
RMT 25-W 32	HDW 32	HDW 32	RMT 25-HDW 32					
RMT 50-Q 50	HDQ3-50	HDQ3-50-P	RMT 50-HDQ 50	RMT 50	RMT 50	RMT 50	M14x1.0P	SAT1412-N
RMT 50-Q 63	HDQ3-63	HDQ3-63-P	RMT 50-HDQ 63					
RMT 50-M 55	HMQ-55	HMQ-55-P	RMT 50-HMQ 55					
RMT 50-M 70	HMQ-70	HMQ-70-P	RMT 50-HMQ 70					
RMT 50-W 40	HDW 40	HDW 40	RMT 50-HDW 40					
RMT 50-W 50	HDW 50	HDW 50	RMT 50-HDW 50					

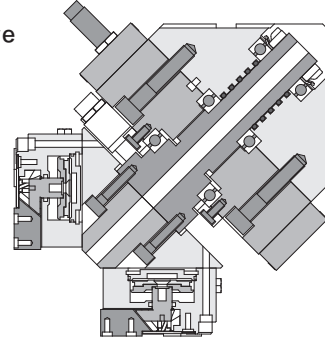
# RMT-Q series 180° Rotation Air Gripper

Product features/ Code of order

**CHELIC**



Internal structure

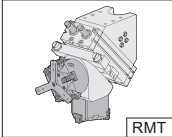
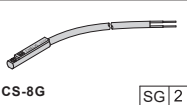
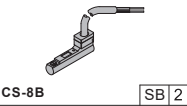


## Specification

Item		Bore size (mm)	25			50	
Applicable gripper	Series		HDQ				
	Model		HDQ 25	HDQ 32	HDQ 40	HDQ 50	HDQ 63
Action	Rotary cylinder		Double acting				
	Gripper		Double acting				
Gripping force	OPEN (N)		30	70	131	282	446
	CLOSE (N)		35	82	149	314	496
Fluid			Air or the air filtered with 40μ				
Pressure range		kgf/cm <sup>2</sup> (kPa)	4.5 ~ 7 (450 ~ 700)				
Max. operating pressure		kgf/cm <sup>2</sup> (kPa)	7.5 (750)				
Ambient and fluid temperature		°C	0 ~ 60				
Lubrication			Lubrication free type				
Port size	Rotary cylinder		M5X0.8				
	Gripper		M5X0.8				
Cushion type to rotary cylinder			Shock absorber				
Weight		kg	2.9	3.4	3.7	6	6.6

Note: The gripping force is the force of open and close gripper which in the length of gripping point is 20mm and acting pressure is 0.5MPa.

## Code of order

<b>RMT</b>	<b>25</b>	-	<b>Q</b>	-	<b>25</b>	-	<b>SG</b>	<b>2</b>			
Model	Rotary cylinder torque		Available gripper		Gripper bore size		Sensor switch				
	25 - 2.2 N·m 50 - 5.5 N·m		Q - HDQ		<table border="1"> <tr> <td>RMT 25</td> <td>25 - Ø25 mm 32 - Ø32 mm 40 - Ø40 mm</td> </tr> <tr> <td>RMT 50</td> <td>50 - Ø50 mm 63 - Ø63 mm</td> </tr> </table>	RMT 25	25 - Ø25 mm 32 - Ø32 mm 40 - Ø40 mm	RMT 50	50 - Ø50 mm 63 - Ø63 mm		
RMT 25	25 - Ø25 mm 32 - Ø32 mm 40 - Ø40 mm										
RMT 50	50 - Ø50 mm 63 - Ø63 mm										
RMT-Q Series : 180° Rotation Air Gripper					※ Please refer to HDQ3 specification for detail information.						

None : Without sensor switch  
**SG** : Sensor switch code (CS-8G)  
**SB** : Sensor switch code (CS-8B)  
**2** : Number of sensor switch (2 pcs)  
 1 = 1 pcs, 2 = 2 pcs

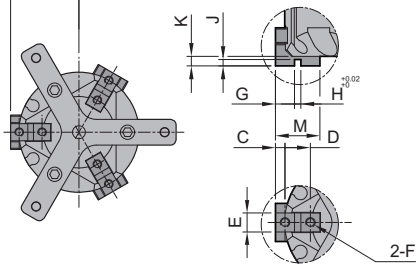
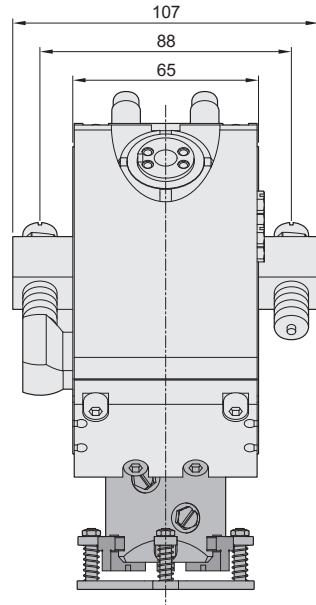
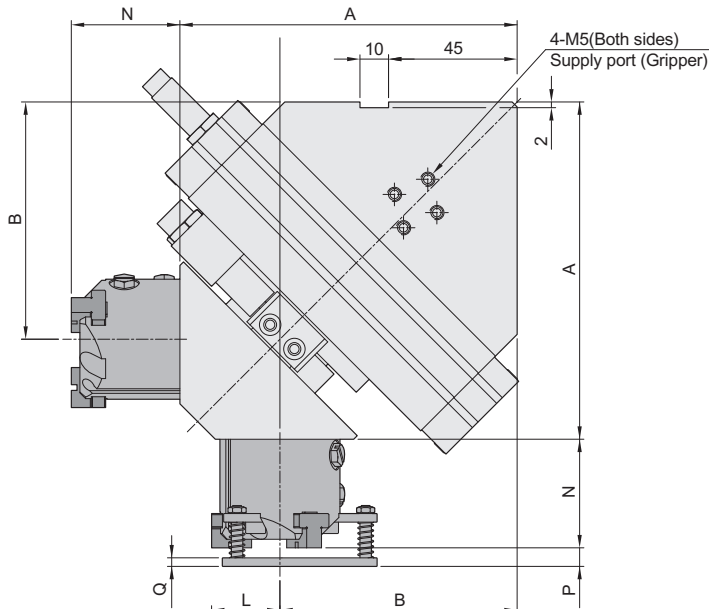
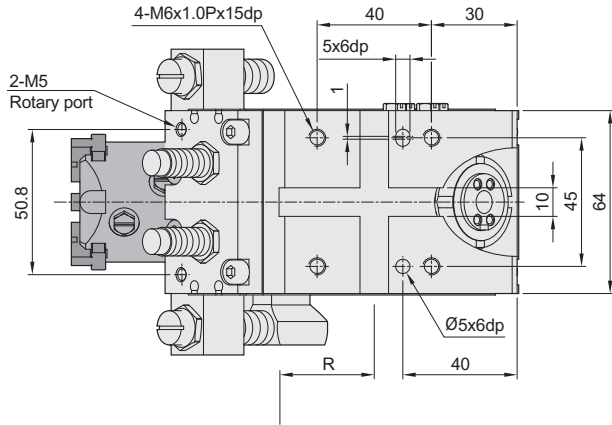
※ Total configured sensor switch quantity: 6 PCS  
 For controlling rotary : 2 PCS  
 For controlling gripping : 4 PCS

# RMT series 180° Rotation Air Gripper

## Dimensions-RMT 25-Q

CHELIC

### ● RMT 25-Q



Gripper Model	Gripper open/ close		
HDQ 25	L	Close: 24	Open: 27
HDQ 32	L	Close: 30	Open: 34
HDQ 40	L	Close: 33	Open: 37

Please refer to HDQ3 specification for more information P.6-14.141

Model	Mark	A	B	C	D	E	F	G	H	J	K	M	N	P	Q	R
RMT 25-Q 25		118	83	3	8	6	M3x0.5Px6dp	6	2	2	3	14	38	6.5	3	33
RMT 25-Q 32		123	84	4.5	11	8	M4x0.7Px8dp	9	2	2	3	20	42	6	3	34
RMT 25-Q 40		125	84	4.5	12	8	M4x0.7Px9dp	9	3	2	3	21	45	11	4	34

HCW

RMT

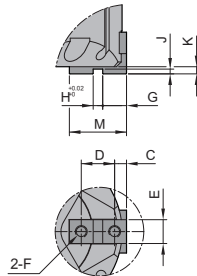
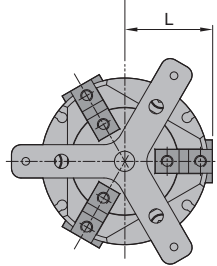
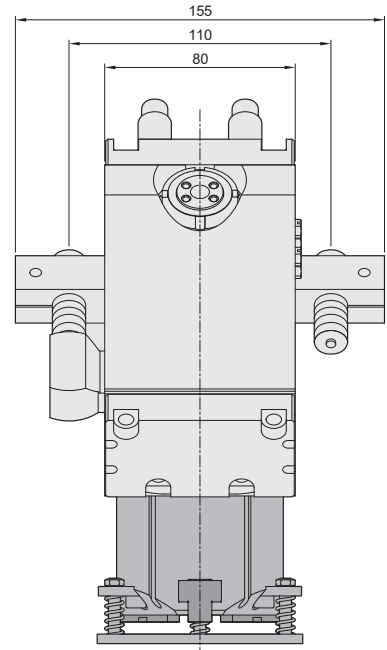
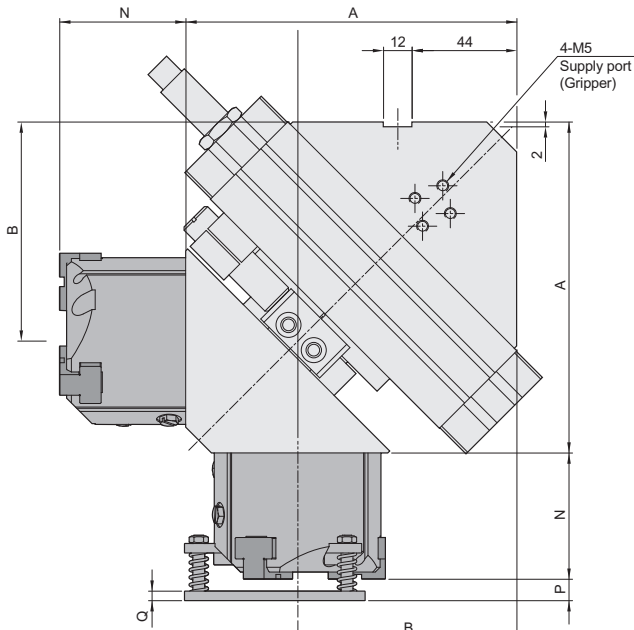
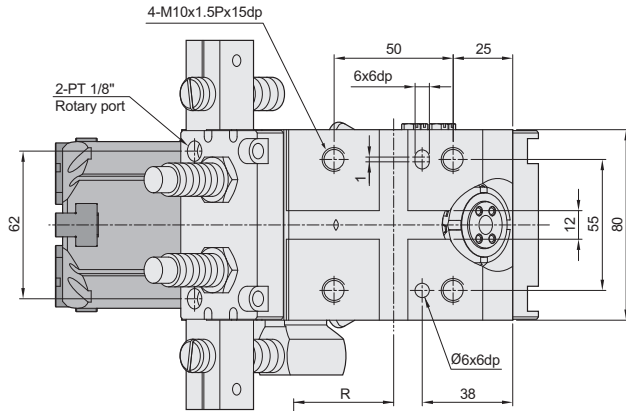
RTL

# RMT series 180° Rotation Air Gripper

## Dimensions-RMT 50-Q

**CHELIC**

### ● RMT 50-Q



Gripper Model	Gripper open/ close		
HDQ 50	L	Close: 37	Open: 43
HDQ 63	L	Close: 45.5	Open: 53.5

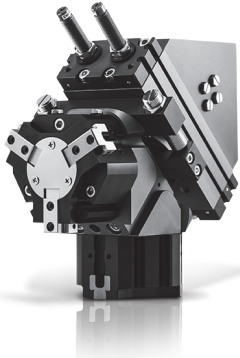
Please refer to HDQ3 specification for more information P.6-14.141

Model	Mark	A	B	C	D	E	F	G	H	J	K	M	N	P	Q	R
RMT 50-Q 50		139	92	5	14	10	M5x0.8Px10dp	10	4	2	3	24	53	9	4	42
RMT 50-Q 63		148	92	5.5	17	12	M5x0.8Px10dp	11	6	3	4	28	64	11	5	42

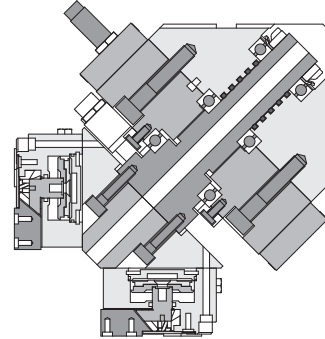
# RMT-M series 180° Rotation Air Gripper

Product features/ Code of order

**CHELIC.**



Internal structure



HCW

RMT

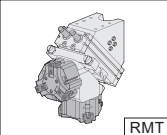
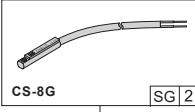
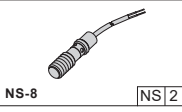
RTL

## Specification

Item	Bore size (mm)	25			50	
Applicable gripper	Series	HMQ				
	Model	HMQ 25	HMQ 32	HMQ 44	HMQ 55	HMQ 70
Action	Rotary cylinder	Double acting				
	Gripper	Double acting				
Gripping force	OPEN (N)	157	265	431	810	1306
	CLOSE (N)	129	239	377	731	1195
Fluid		Air or the air filtered with 40μ				
Pressure range	kgf/cm <sup>2</sup> (kPa)	4.5 ~ 7 (450 ~ 700)				
Max. operating pressure	kgf/cm <sup>2</sup> (kPa)	7.5 (750)				
Ambient and fluid temperature	°C	0 ~ 60				
Lubrication		Lubrication free type				
Port size	Rotary cylinder	M5X0.8				
	Gripper	M5X0.8				
Cushion type to rotary cylinder		Shock absorber				
Weight	kg	3.2	3.5	4	6.1	8.5

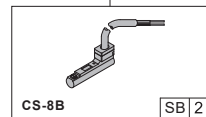
Note: The gripping force is the force of open and close gripper which in the length of gripping point is 20mm and acting pressure is 0.5MPa.

## Code of order

<b>RMT</b>	<b>25</b>	<b>M</b>	<b>25</b>	<b>SG 2</b>	<b>NS 2</b>
Model	Rotary cylinder torque	Available gripper	Gripper bore size	Sensor switch	Proximity sensor
	25 - 2.2 N·m 50 - 5.5 N·m	M - HMQ	RMT 25: 25 - Ø25 mm 32 - Ø32 mm 44 - Ø44 mm RMT 50: 55 - Ø55 mm 70 - Ø70 mm		

RMT-M Series :  
180° Rotation Air Gripper

※ Please refer to HMQ specification for detail information.



None : Without sensor switch

**SG** : Sensor switch code (CS-8G)

**SB** : Sensor switch code (CS-8B)

**2** : Number of sensor switch (2 pcs)  
1 = 1 pcs, 2 = 2 pcs

※ Total configured sensor switch quantity: 6 PCS  
For controlling rotary : 2 PCS  
For controlling gripping : 4 PCS

None : Without Proximity sensor  
**NS** : Proximity sensor code (NS-8)  
**2** : Number of proximity sensor  
1 = 1 pcs, 2 = 2 pcs

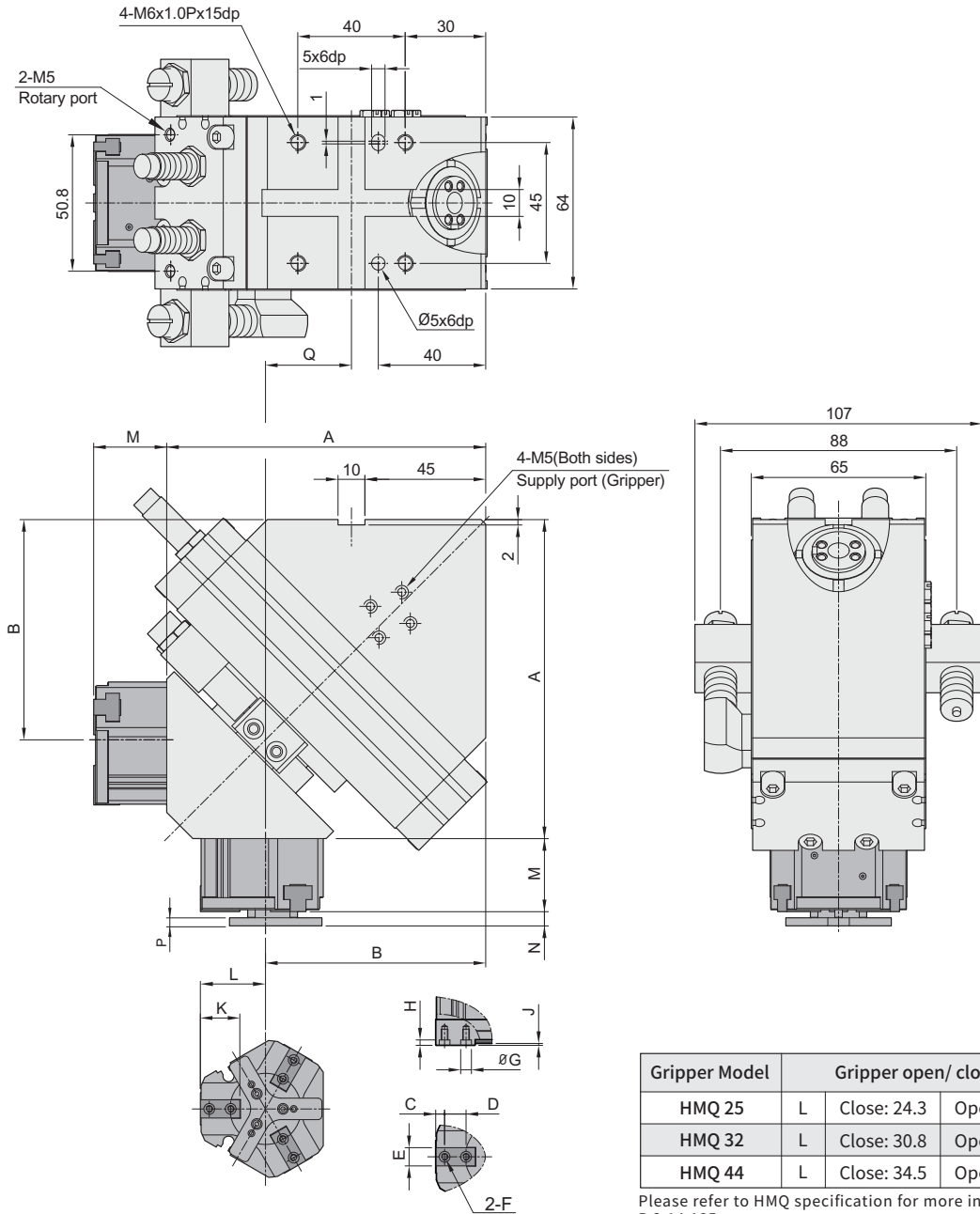
※ Not applicable to rotary cylinder  
※ Total configured proximity sensor quantity: 4 PCS  
For controlling gripping : 4 PCS

# RMT series 180° Rotation Air Gripper

## Dimensions-RMT 25-M

**CHELIC**

### ● RMT 25-M



Gripper Model	Gripper open/ close	
HMQ 25	L	Close: 24.3 Open: 26.8
HMQ 32	L	Close: 30.8 Open: 34.8
HMQ 44	L	Close: 34.5 Open: 40.5

Please refer to HMQ specification for more information P.6-14.185

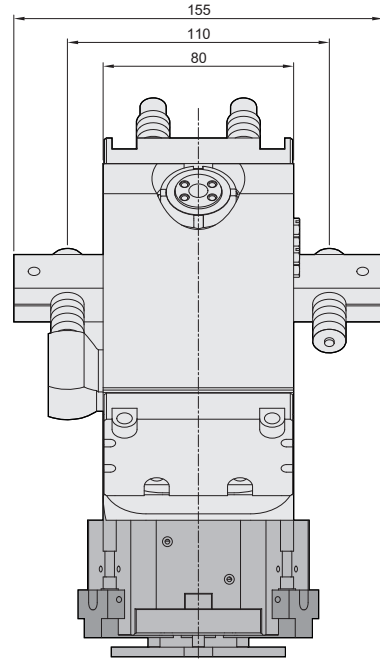
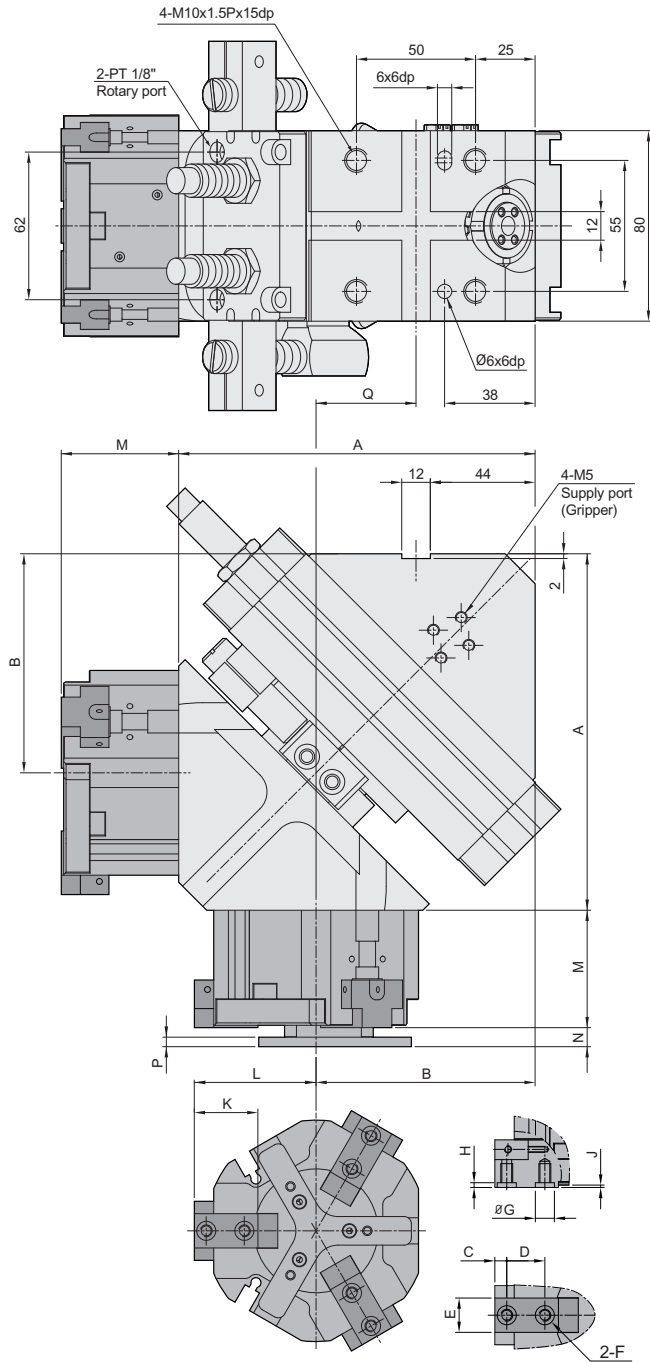
Model	Mark	A	B	C	D	E	F	G	H	J	K	M	N	P	Q
RMT 25-M 25		118.8	82	3.3	8	6.8	M2.5x0.45Px4dp	4	2	0.7	14.7	27.2	5.3	3	32
RMT 25-M 32		122	82	3.3	12	10	M3x0.5Px6dp	5	2	1	20.7	34	7	4	32
RMT 25-M 40		128.7	85	4	13	12	M4x0.7Px6dp	6	2	1	21.7	43.3	7	4	35

# RMT series 180° Rotation Air Gripper

## Dimensions-RMT 50-M

**CHELIC**

### ● RMT 50-M



HCW

RMT

RTL

Gripper Model	Gripper open/ close	
HMQ 55	L	Close: 42.9 Open: 51.1
HMQ 70	L	Close: 53.4 Open: 63.8

Please refer to HMQ specification for more information P.6-14.185

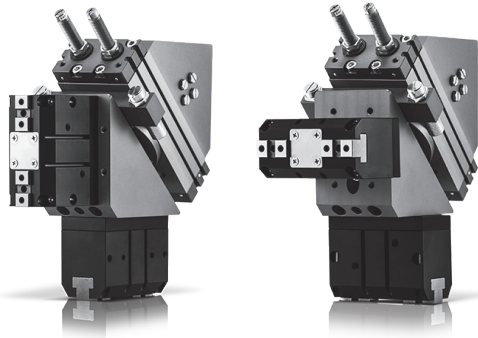
Model	Mark	A	B	C	D	E	F	G	H	J	K	M	N	P	Q
RMT 50-M 55		149.7	92	5	16	14.4	M5x0.8Px8dp	8	2	1	26.7	49.3	8	4	42
RMT 50-M 70		159.7	91	6	20	17.8	M6x1.0Px10dp	10	2	1	32	59.3	8	4	41



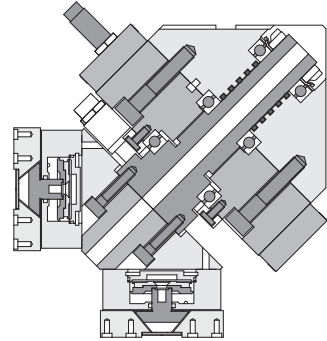
# RMT-W series 180° Rotation Air Gripper

Product features/ Code of order

**CHELIC**



## Internal structure

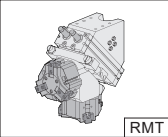
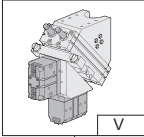
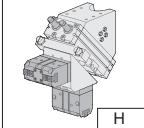
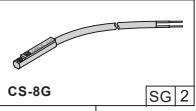
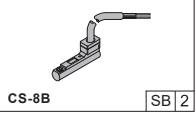


## Specification

Item		Bore size (mm)	25		50	
Applicable gripper	Series	HDW				
	Model		HDW 25	HDW 32	HDW 40	HDW 50
Action	Rotary cylinder	Double acting				
	Gripper	Double acting				
Gripping force	OPEN (N)		148	245	451	783
	CLOSE (N)		134	221	402	662
Fluid		Air or the air filtered with 40μ				
Pressure range		kgf/cm <sup>2</sup> (kPa)	4.5 ~ 7 (450 ~ 700)			
Max. operating pressure		kgf/cm <sup>2</sup> (kPa)	7.5 (750)			
Ambient and fluid temperature		°C	0 ~ 60			
Lubrication		Lubrication free type				
Port size	Rotary cylinder	M5X0.8				
	Gripper	M5X0.8				
Cushion type to rotary cylinder		Shock absorber				
Weight		kg	3.5	4.3	5.6	7

Note: The gripping force is the force of open and close gripper which in the length of gripping point is 30mm and acting pressure is 5kgf/cm<sup>2</sup>.

## Code of order

<b>RMT</b>	<b>25</b>	<b>W</b>	<b>25</b>	<b>H</b>	<b>SG</b>	<b>2</b>
Model	Rotary cylinder torque	Available gripper	Gripper bore size	Model	Sensor switch	
	25 - 2.2 N·m 50 - 5.5 N·m	W - HDW	RMT 25 25 - Ø25 mm 32 - Ø32 mm RMT 50 40 - Ø40 mm 50 - Ø50 mm	 Vertical  Horizontal		
RMT-W Series : 180° Rotation Air Gripper			※ Please refer to HDW specification for detail information.		None : Without sensor switch [SG] : Sensor switch code (CS-8G) [SB] : Sensor switch code (CS-8B) [2] : Number of sensor switch (2 pcs) 1 = 1 pcs, 2 = 2 pcs	

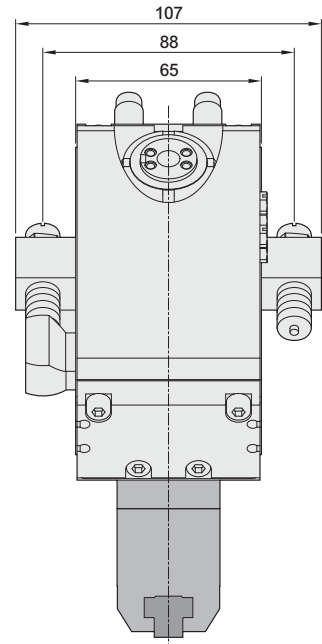
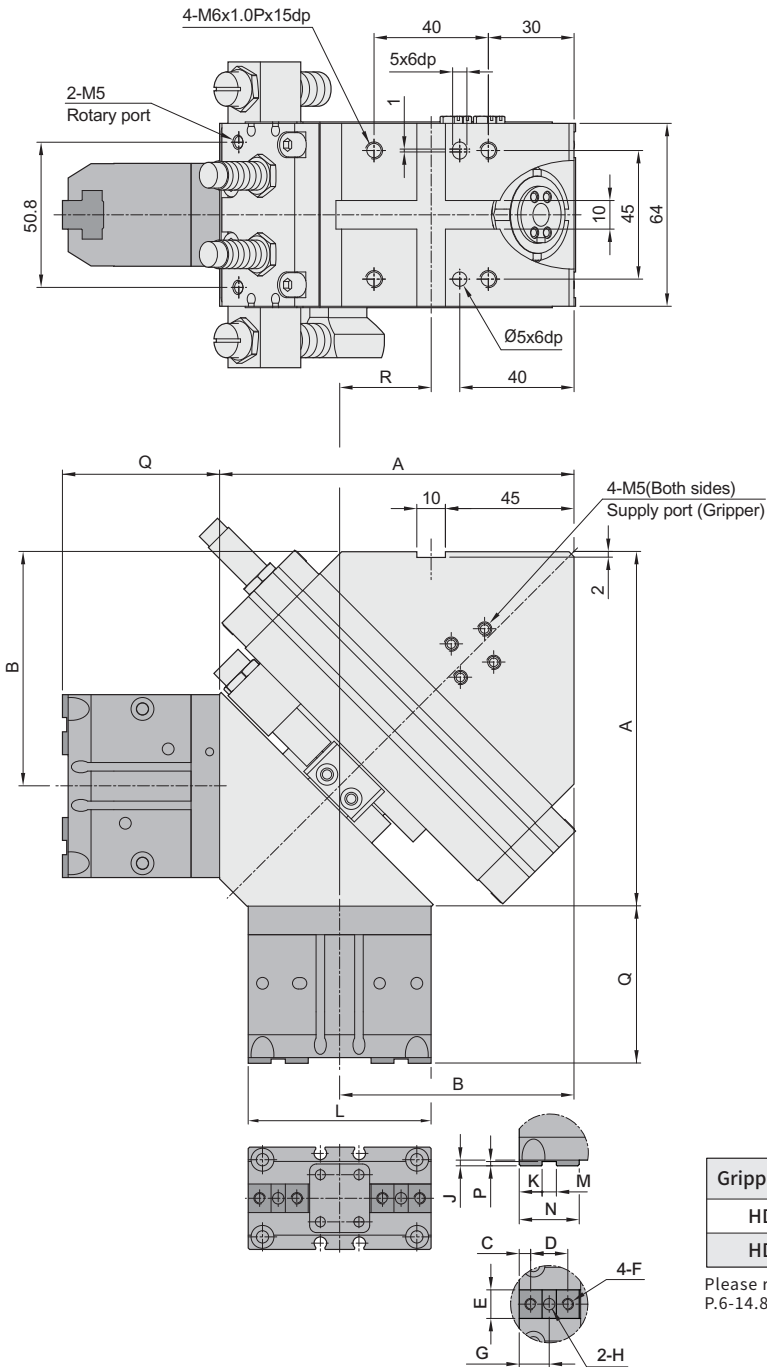
※ Total configured sensor switch quantity: 6 PCS  
For controlling rotary : 2 PCS  
For controlling gripping : 4 PCS

# RMT series 180° Rotation Air Gripper

Dimensions-RMT 25-W

**CHELIC.**

## ● RMT 25-W □-V



HCW

RMT

RTL

Gripper Model	Gripper open/ close		
	L	Close:	Open:
HDW 25	L	64	76
HDW 32	L	80	96

Please refer to HDW specification for more information P.6-14.82

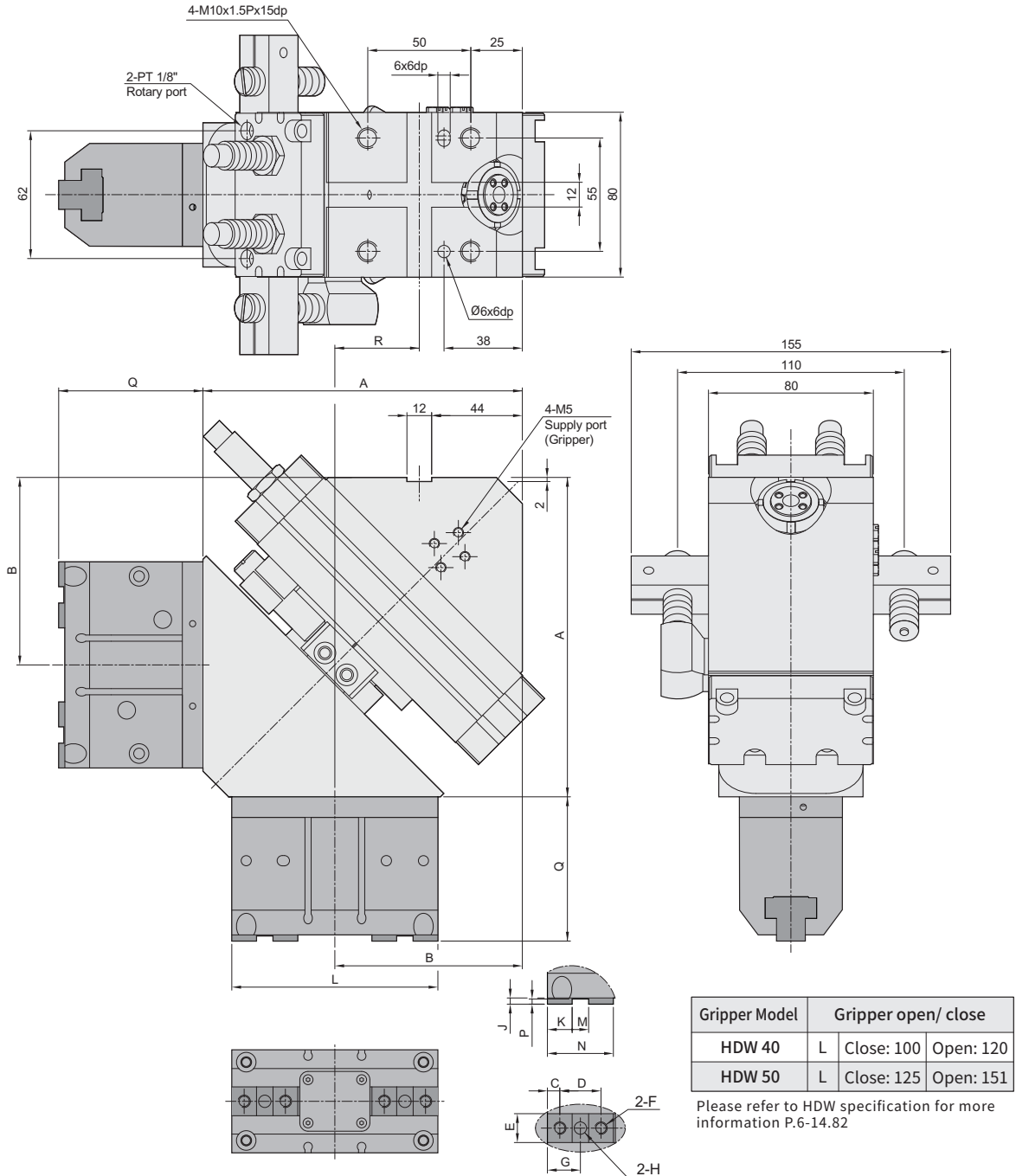
Model	Mark	A	B	C	D	E	F	G	H	J	K	M	N	P	Q	R
RMT 25-W 25-V		124	82	4	13	10	M4x0.7Px5dp	10.5	Ø4x4dp	2	8	5	21	1.5	55	32
RMT 25-W 32-V		132	83	5	16	12	M5x0.8Px8dp	13	Ø5x5dp	3	10	6	26	2.5	63	33

# RMT series 180° Rotation Air Gripper

Dimensions-RMT 50-W

**CHELIC**

☉ RMT 50-W  -V



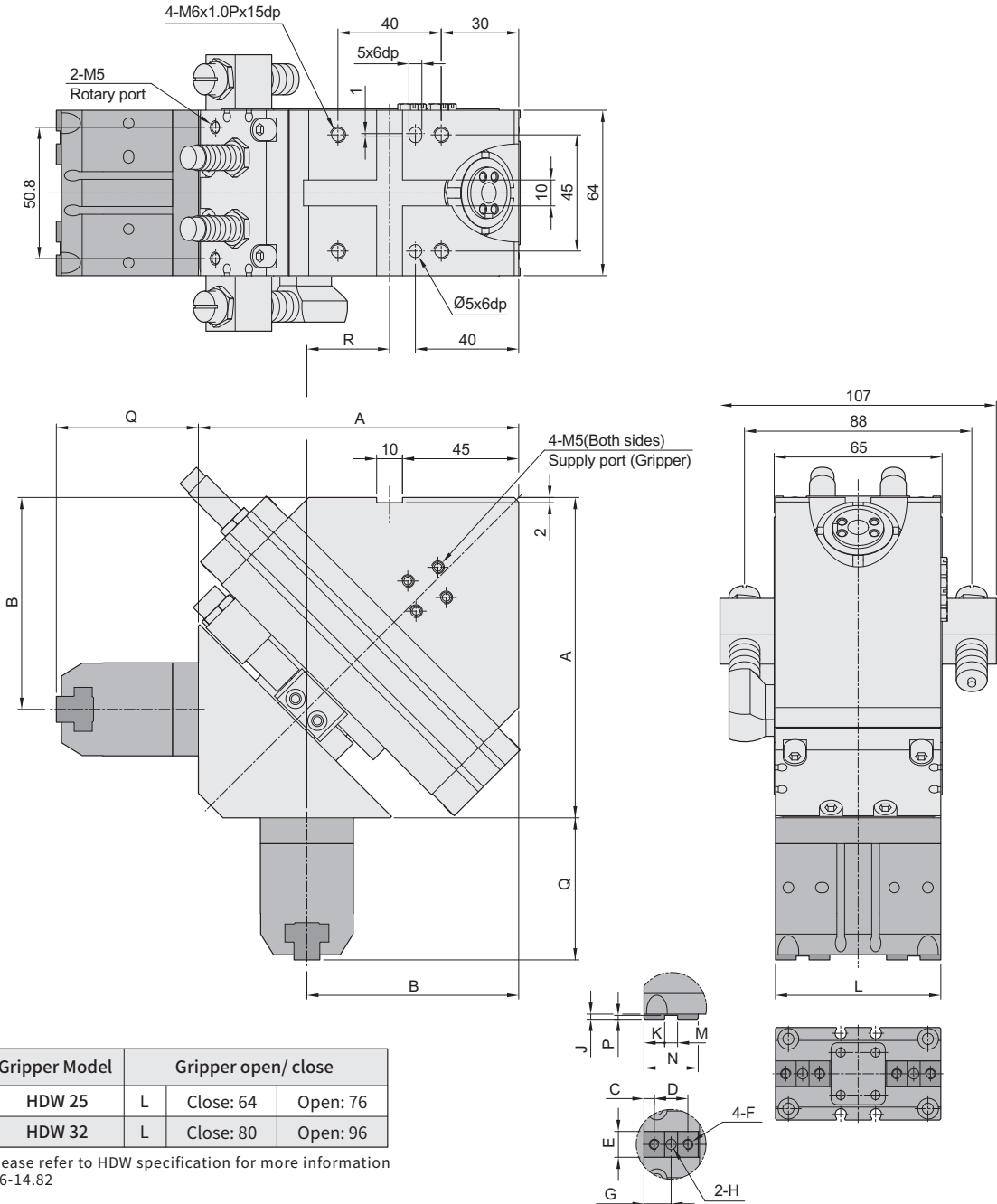
Model	Mark	A	B	C	D	E	F	G	H	J	K	M	N	P	Q	R
RMT 50-W 40-V		155	91	6	20	14	M6x1.0Px10dp	16	Ø6x6dp	3	12	8	32	2.5	70	41
RMT 50-W 50-V		163	91	8	24	16	M6x1.0Px10dp	20	Ø6x6dp	4	16	8	40	3.5	82	41

# RMT series 180° Rotation Air Gripper

Dimensions-RMT 25-W

CHELIC

● RMT 25-W □ -H



- HCW
- RMT
- RTL

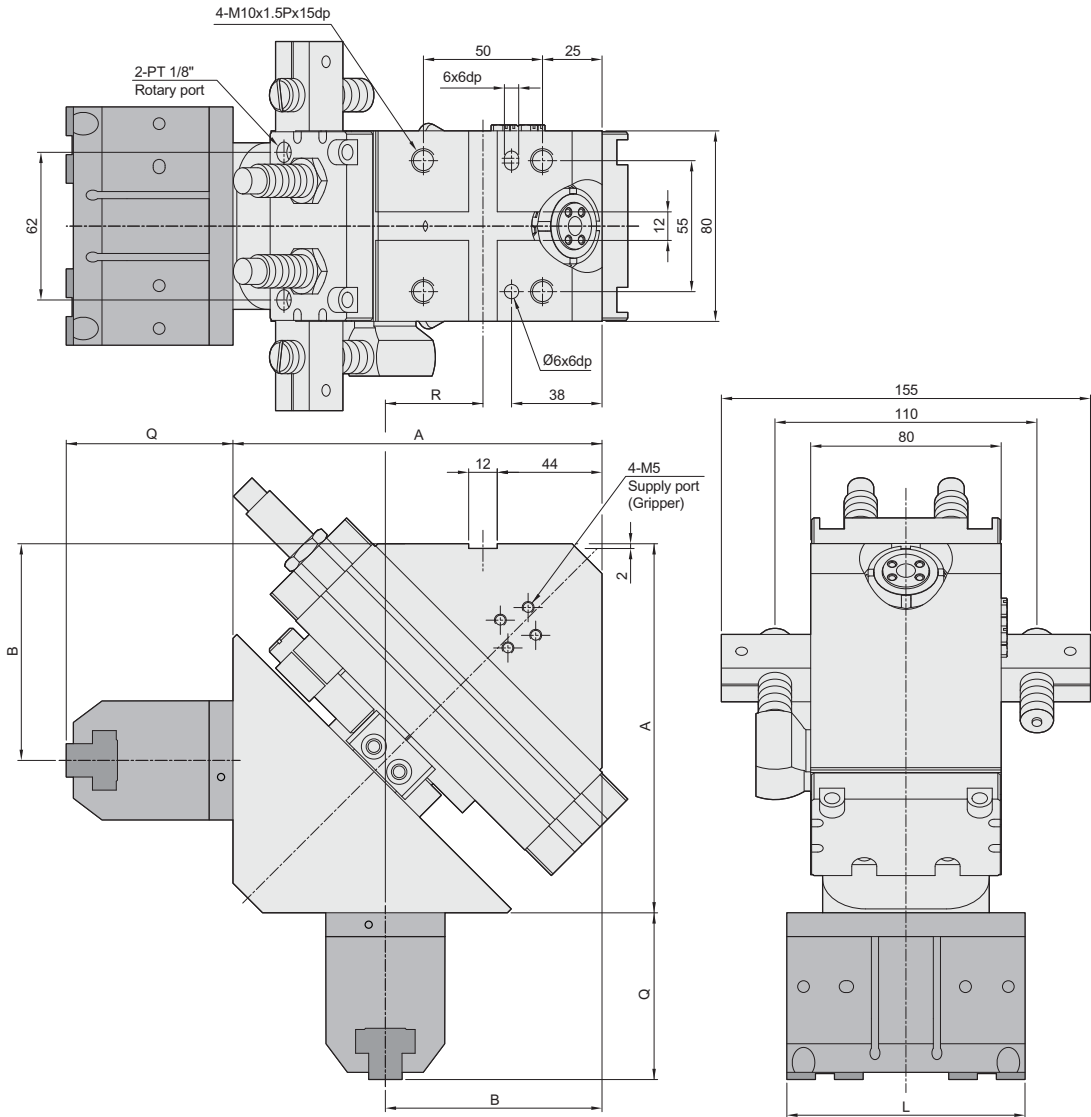
Model	Mark	A	B	C	D	E	F	G	H	J	K	M	N	P	Q	R
RMT 25-W 25-H		124	82	4	13	10	M4x0.7Px5dp	10.5	∅4x4dp	2	8	5	21	1.5	55	32
RMT 25-W 32-H		132	83	5	16	12	M5x0.8Px8dp	13	∅5x5dp	3	10	6	26	2.5	63	33

# RMT series 180° Rotation Air Gripper

Dimensions-RMT 50-W

CHELIC

## ☉ RMT 50-W □ -H



Gripper Model	Gripper open/ close		
HDW 40	L	Close: 100	Open: 120
HDW 50	L	Close: 125	Open: 151

Please refer to HDW specification for more information P.6-14.82

Model	Mark	A	B	C	D	E	F	G	H	J	K	M	N	P	Q	R
RMT 50-W 40-H		155	91	6	20	14	M6x1.0Px10dp	16	Ø6x6dp	3	12	8	32	2.5	70	41
RMT 50-W 40-H		163	91	8	24	16	M6x1.0Px10dp	20	Ø6x6dp	4	16	8	40	3.5	82	41

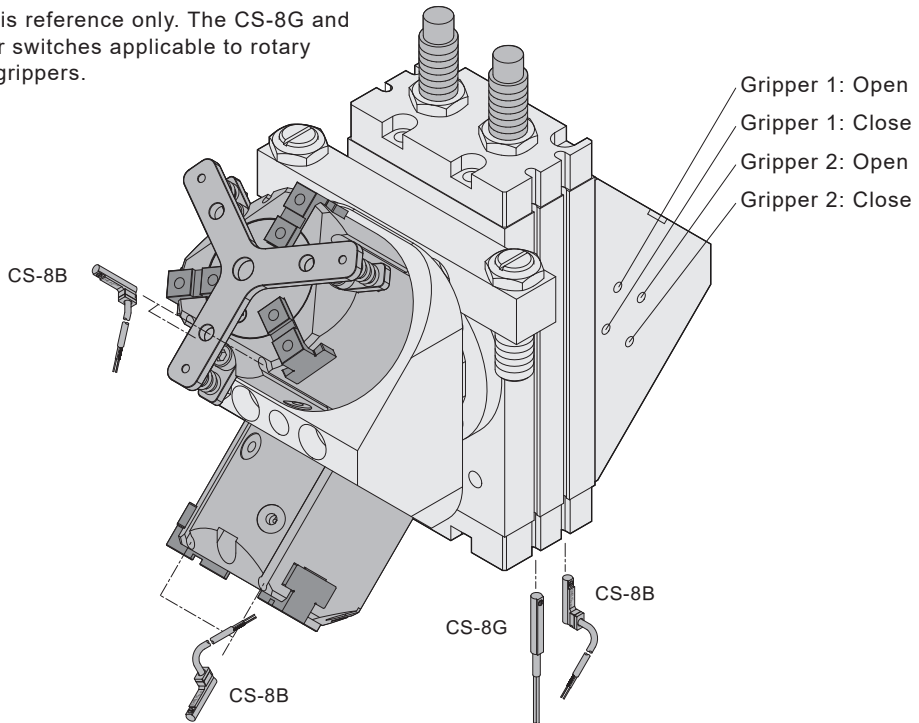
# RMT series 180° Rotation Air Gripper

## Sensor switch installation

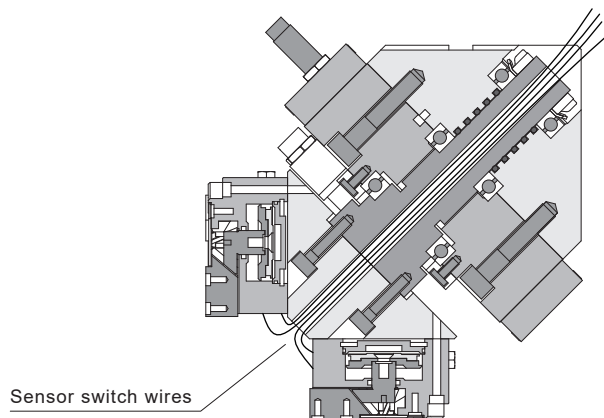
CHELIC.

### ○ Piping and wiring configuration

- There are supply holes on two sides of base for pinpings and multiple configuration ways of sensor switches.
- Below image is reference only. The CS-8G and CS-8B sensor switches applicable to rotary cylinder and grippers.



- The sensor switch wires can be throughout the entire RMT as shown in the following image.



HCW

RMT

RTL

# RMT series 180° Rotation Air Gripper

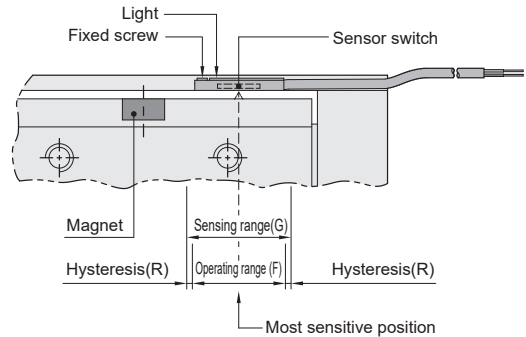
## Sensor switch operating range and the setting

**CHELIC.**

### ◉ Sensing range

Sensor switch is fixed on the cylinder body. The magnetic piston head will activate the Sensor switch when it enters the operating range. It has 0.5mm differential.

### ◉ Sensor switch setting and operating range



### ◉ Operating range

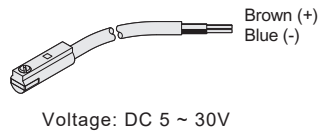
When piston head moves the switch setting and adjustment will be based on the responding range generated by the magnetic field and the switch. (Please refer to the below table)

### ◉ Sensor switch introduction

Unit: mm

Model	CS-8G	
Bore size	Operating range (F)	Hysteresis(R)
RMT 25	5.5	1.0
RMT 50	5.5	1.0

#### CS-8G



#### CS-8B

