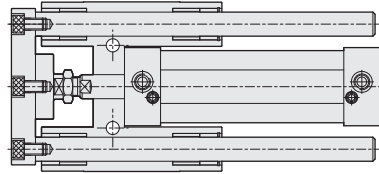


GH series Guide Cylinder (H type)

Product features

CHELIC

Internal structure



Specification

Item	Bore size (mm)	GH-20	GH-25	GH-32	GH-40	GH-50	GH-63
Action		Double acting					
Fluid		Air					
Cylinder type		SDA Stainless steel series		Standard cylinder series			
Pressure range	kgf/cm ² (kPa)	1.5 ~ 7 (150 ~ 700)					
Ambient and fluid temperature	°C	0 ~ 60					
Piston speed	mm/s	50 ~ 700					
Theoretical force	Push (Note)	3.1xP	4.9xP	8.0xP	12.5xP	19.6xP	31.1xP
	Pull (Note)	2.6xP	4.1xP	6.9xP	10.5xP	16.4xP	28xP
Lubrication		Lubrication free type					
Port size		PT 1/8		PT 1/4		PT 3/8	
Sensing device		With magnet					
Sensor switch		CS-100		CS-32B		CS-50B	

Standard stroke

Unit: mm

Bore size	Standard stroke
GH□ - 20	50, 75, 100, 125, 150, 200, 250, 300, (400, 500)
GH□ - 25	50, 75, 100, 125, 50, 200, 250, 300, (400, 500)
GH□ - 32	50, 75, 100, 125, 150, 200, 250, 300, (400, 500)
GH□ - 40	50, 75, 100, 125, 150, 200, 250, 300, (400, 500)
GH□ - 50	50, 75, 100, 125, 150, 200, 250, 300, 400, 450, 500
GH□ - 63	50, 75, 100, 125, 150, 200, 250, 300, 400, 450, 500

◀ Note: "P" indicates air pressure kgf/cm²

Code of order

GH	B	32	×	200	9D	-	32F	-	2												
Model	Guide type	Bore size		Stroke	Sensor switch		Mounting bracket		Sensor/ bracket q'ty												
	 	20 - Ø20mm 25 - Ø25mm 32 - Ø32mm 40 - Ø40mm 50 - Ø50mm 63 - Ø63mm		Ø20 - 50 - 300mm Ø25 - 50 - 300mm Ø32 - 50 - 300mm Ø40 - 50 - 300mm Ø50 - 50 - 500mm Ø63 - 50 - 500mm	 		<table border="1"> <thead> <tr> <th>Model</th> <th>Cylinder (Inner dia.)</th> </tr> </thead> <tbody> <tr> <td>20S</td> <td>Ø20</td> </tr> <tr> <td>25S</td> <td>Ø25</td> </tr> <tr> <td>32F</td> <td>Ø32, Ø40</td> </tr> <tr> <td>50F</td> <td>Ø50, Ø63</td> </tr> </tbody> </table>	Model	Cylinder (Inner dia.)	20S	Ø20	25S	Ø25	32F	Ø32, Ø40	50F	Ø50, Ø63		<table border="1"> <tbody> <tr> <td>1 : 1 PC</td> </tr> <tr> <td>2 : 2 PCS</td> </tr> </tbody> </table>	1 : 1 PC	2 : 2 PCS
Model	Cylinder (Inner dia.)																				
20S	Ø20																				
25S	Ø25																				
32F	Ø32, Ø40																				
50F	Ø50, Ø63																				
1 : 1 PC																					
2 : 2 PCS																					

Sensor switch mark:

□ : None (without sensor switch)

9D:CS-9D

9B:CS-9B

8G:CS-8G

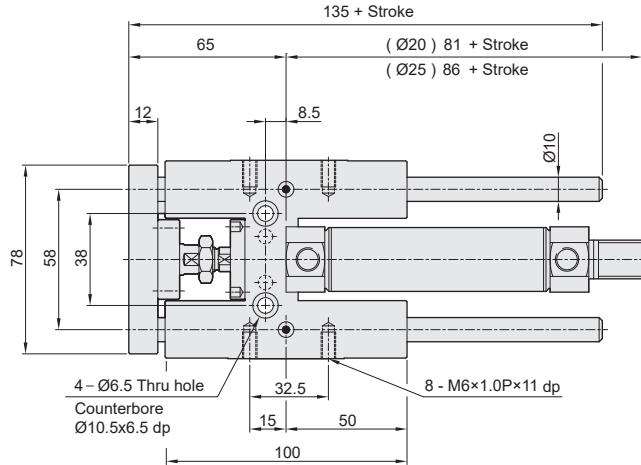
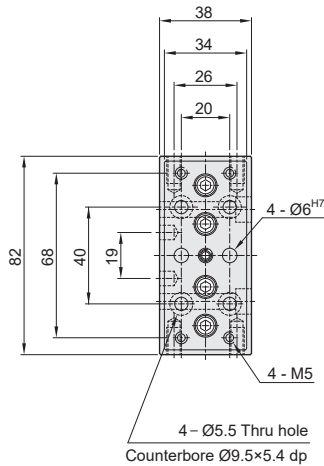
8B:CS-8B

GHB(U) series Twin-Guide Cylinder Unit

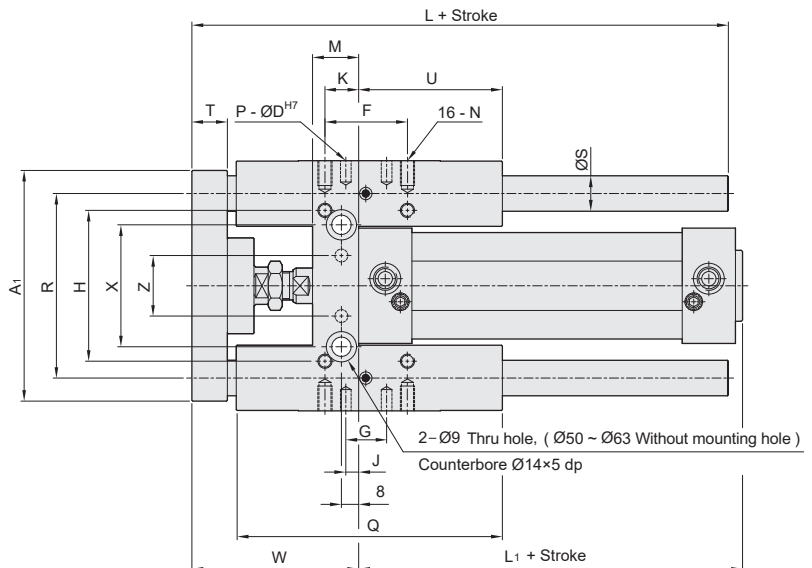
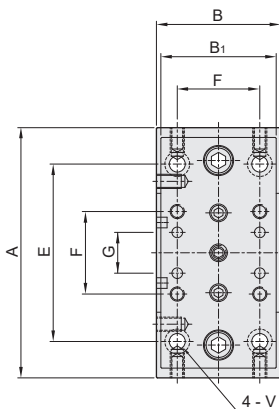
Dimensions

CHELIC

● GHB(U) Ø20, Ø25



● GHB(U) Ø32, Ø63



Bore Size	A	A ₁	B	B ₁	D	E	F	G	H	J	K	L	L ₁	M	N	P	Q	R	S	T	U	V	W	X	Z
Ø32	99	95	50	45	6	78	32.5	—	61	5.3	14	179	98	19	M6x1.0x12 dp	12	120	74	12	15	67	Thru hole Ø6.5, Hole Ø10.5x6.5 dp	72	46.5	23
Ø40	119	115	56	50	6	84	38	19	69	4.5	14	193	110	21	M6x1.0x12 dp	14	135	87	16	15	77	Thru hole Ø6.5, Hole Ø10.5x6.5 dp	76	56.5	28
Ø50	141	135	70	65	6	100	46.5	23	85	7.5	19	215	111	26	M8x1.25x14 dp	12	150	104	20	20	82	Thru hole Ø9, Hole Ø14x8.5 dp	94	—	—
Ø63	156	150	80	75	6	105	56.5	28	100	5	19	230	126	26	M8x1.25x16 dp	12	166	119	20	20	96	Thru hole Ø9, Hole Ø14x8.5 dp	94	—	—