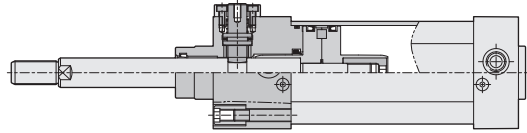
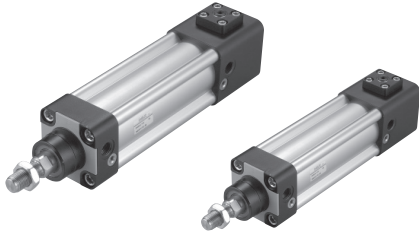


DNE series Locking cylinder

Product features

CHELIC

Internal structure



DN

DMB

DU

Specification

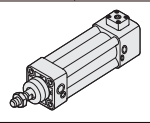
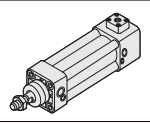
Item	Bore size (mm)	Ø32	Ø40	Ø50	Ø63	Ø80	Ø100
Standard stroke	mm	25, 50, 75, 100, 125, 150, 175, 200, 250, 300, 350, 400, 450, 500 (700, 1000)					
Fluid		Air					
Material		Aluminum alloy					
Pressure range		3 ~ 10.3 (300 ~ 1030)					
Min. operated pressure	Kgf/cm ² (kPa)	3 (300)					
Ambient and fluid temperature	°C	-10 ~ 60					

DNK

DNE

DKK2

Code of order

Model	Bore size	Stroke	Mounting type	Accessory	Sensor switch	Sensor bracket	Sensor switch q'ty
<p>DNE_F Front cover locking</p> 	<p>32 - Ø32 mm 40 - Ø40 mm 50 - Ø50 mm 63 - Ø63 mm 80 - Ø80 mm 100 - Ø100 mm</p>	<p>25 - 25 mm 50 - 50 mm 75 - 75 mm 100 - 100 mm 125 - 125 mm 150 - 150 mm 175 - 175 mm 200 - 200 mm 250 - 250 mm 300 - 300 mm 350 - 350 mm 400 - 400 mm 450 - 450 mm 500 - 500 mm</p>	<p>FA FB TC CA CB LB</p>	<p>Y G CJ</p>	<p>9D 9B 8G 8B</p>	<p>32F 2</p>	<p>1 = 1 PCS 2 = 2 PCS</p>
<p>DNE_R Rear cover locking</p> 							

FA: Front flange
 FB: End flange
 TC: Central trunnion
 CA: Single clevis
 CB: Double clevis
 LB: Axial foot

Sensor switch mark:
 : None (without Sensor switch)
 9D: CS-9D
 9B: CS-9B
 8G: CS-8G
 8B: CS-8B

None: Without sensor bracket
 32F: Applicable to Ø32, Ø40
 50F: Applicable to Ø50, Ø63
 80F: Applicable to Ø80, Ø100

DQ

DCQ

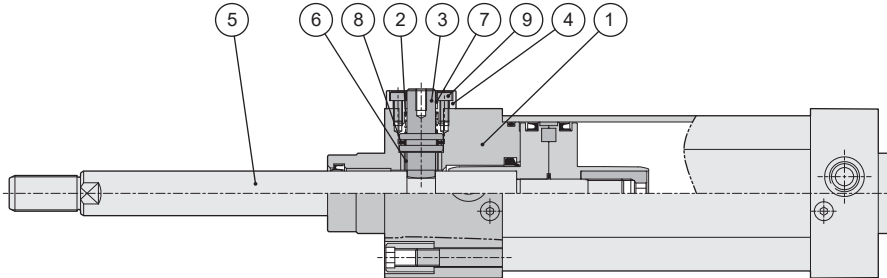
DNE series Locking cylinder

Product features

CHELIC

▣ DNE_F Front cover locking

- Bore size $\varnothing 32 \sim \varnothing 100$

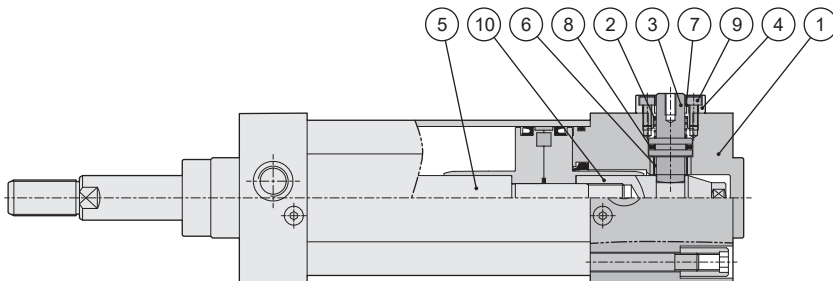


▣ Components and material list

No.	Item	Quantity	No.	Item	Quantity	Note
01	Front cover	1	07	Bearing	1	The material is the same as DN series, except material list in left side.
02	Spring	1	08	Piston packing	1	
03	Stopper rod	1	09	Screw	4	
04	Cover	1				
05	Piston rod	1				
06	Bearing	1				

▣ DNE_R End cover locking

- Bore size $\varnothing 32 \sim \varnothing 100$



▣ Components and material list

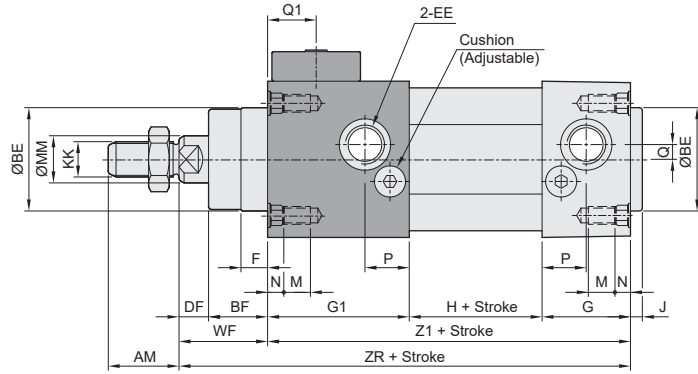
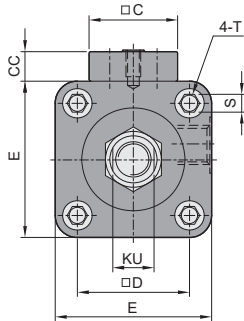
No.	Item	Quantity	No.	Item	Quantity	Note
01	Front cover	1	07	Bearing	1	The material is the same as DN series , except material list in left side.
02	End cover	1	08	Piston packing	1	
03	Stopper rod	1	09	Screw	4	
04	Cover	1	10	Nut	1	
05	Piston rod	1				
06	Bearing	1				

DNE series Locking cylinder

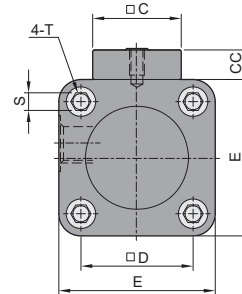
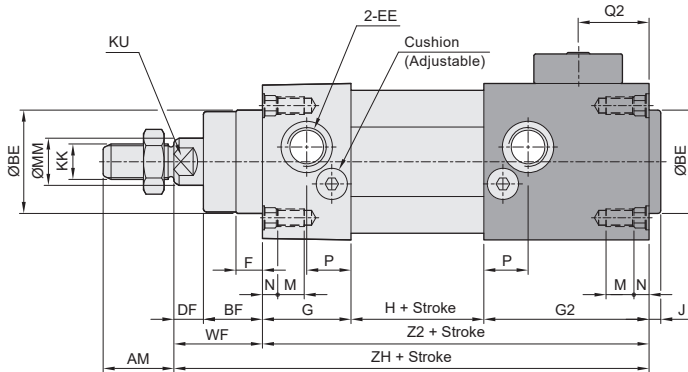
Dimension

CHELIC

○ DNE_F Front cover locking



○ DNE_R End cover locking



Bore size (mm)	AM	BE	BF	C	CC	D	DF	E	EE	F	G	G1	G2	H	J
Ø32	22	30	16	21	10	32.5	10	47	G 1/8	7	26	40	47	42	4
Ø40	24	35	20	30	10	38	10	53	G 1/4	9	30	48	56	45	5
Ø50	32	40	25	34	10	46.5	12	65	G 1/4	11	30	52	71	46	5
Ø63	32	45	25	34	10	56.5	12	75	G 3/8	13	32	52	70	57	4
Ø80	40	45	32	39	10	72	14	95	G 3/8	15	38	66	80	52	6
Ø100	40	55	35	39	10	89	16	115	G 1/2	15	40	70	80	58	6

Bore size (mm)	KK	KU	M	MM	N	P	Q	Q1	Q2	S	T	WF	Z1	Z2	ZR	ZH
Ø32	M10 × 1.25P	10	9	12	6	16	4.5	11.5	17.5	6	M6	26	108	115	134	141
Ø40	M12 × 1.25P	14	9	16	6	15	5	16.5	24	6	M6	30	123	131	153	161
Ø50	M16 × 1.5P	17	12	20	6	15	6	18	31.5	8	M8	37	128	147	165	184
Ø63	M16 × 1.5P	17	12	20	6	16.3	8	18	35.5	8	M8	37	141	159	178	196
Ø80	M20 × 1.5P	22	16	25	6	19	9	20.5	35	10	M10	46	156	170	202	216
Ø100	M20 × 1.5P	22	16	25	6	20	7	20.5	34	10	M10	51	168	178	219	229

DN

DMB

DU

DNK

DNE

DCK2

DQ

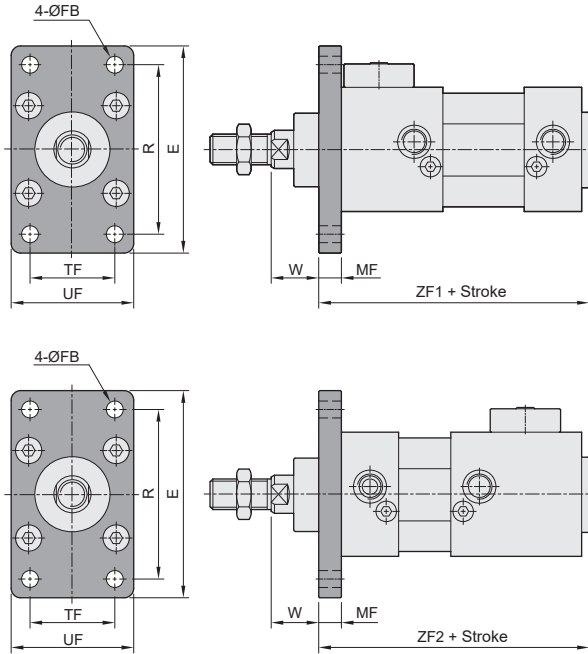
DCQ

DNE series Locking cylinder

Bracket dimensions

CHELIC

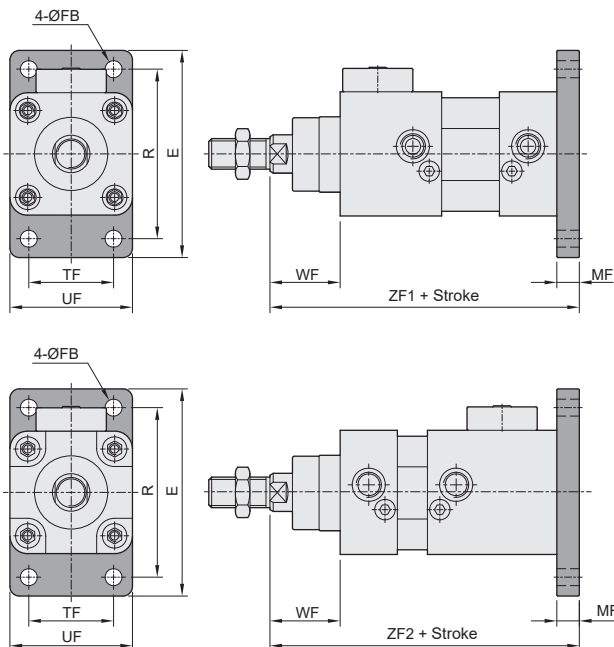
Flange – FA Front flange



Unit: mm

Mark Bore size	E	FB	MF	R	TF	UF	W	ZF1	ZF2
Ø32	79	7	10	64	32	50	16	122	129
Ø40	90	9	10	72	36	55	20	138	146
Ø50	110	9	12	90	45	65	25	145	164
Ø63	120	9	12	100	50	75	25	157	175
Ø80	153	12	16	126	63	95	30	178	192
Ø100	178	14	16	150	75	115	35	190	200

Flange – FB End flange



Unit: mm

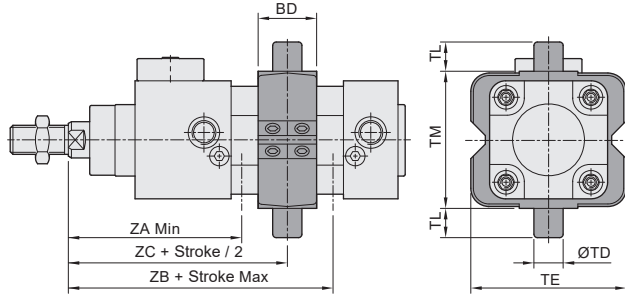
Mark Bore size	E	FB	MF	R	TF	UF	WF	ZF1	ZF2
Ø32	79	7	10	64	32	50	26	144	151
Ø40	90	9	10	72	36	55	30	163	171
Ø50	110	9	12	90	45	65	37	177	196
Ø63	120	9	12	100	50	75	37	190	208
Ø80	153	12	16	126	63	95	46	218	232
Ø100	178	14	16	150	75	115	51	235	245

DNE series Locking cylinder

Dimension-Accessory

CHELIC

Central trunnion - TC



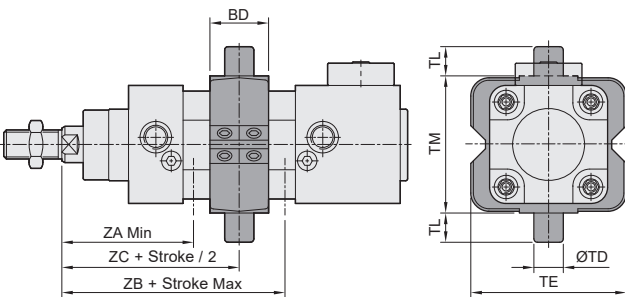
Unit: mm

Bore size	Mark	BD	TD	TE	TL	TM	ZA	ZB	ZC
Ø32		22	12	58	12	50	80	94	87
Ø40		28	16	70	16	63	95	106	100.5
Ø50		32	16	85	16	75	108	116	112
Ø63		35	20	100	20	90	110	125.5	117.5
Ø80		40	20	120	20	110	135	141	138
Ø100		45	25	145	25	132	147	153.5	150

DN

DMB

DU



Unit: mm

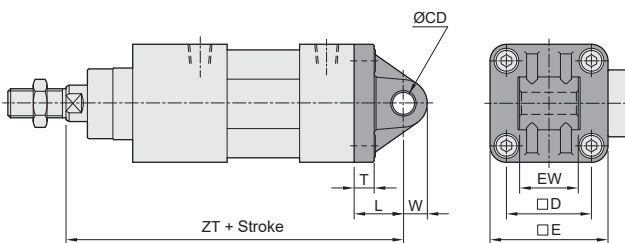
Bore size	Mark	BD	TD	TE	TL	TM	ZA	ZB	ZC
Ø32		22	12	58	12	50	73	73	73
Ø40		28	16	70	16	63	77	88	82.5
Ø50		32	16	85	16	75	86	94	90
Ø63		35	20	100	20	90	89.5	105.5	97.5
Ø80		40	20	120	20	110	107	113	110
Ø100		45	25	145	25	132	116.5	123.5	120

DNK

DNE

DCK2

Clevis - CA Single clevis

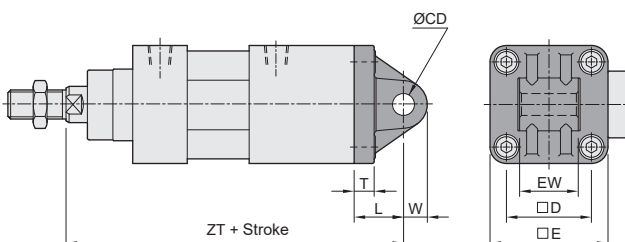


Unit: mm

Bore size	Mark	CD	D	E	EW	L	T	W	ZT
Ø32		10	32.5	47	26	22	10	10.5	156
Ø40		12	38	53	28	25	10	13	178
Ø50		12	46.5	65	32	27	12	13	192
Ø63		16	56.5	75	40	32	12	17	210
Ø80		16	72	95	50	36	16	17	238
Ø100		20	89	115	60	41	16	21	260

DQ

DCQ



Unit: mm

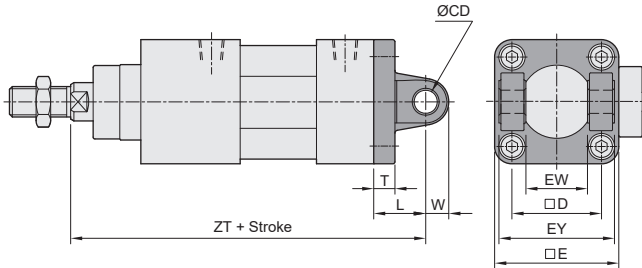
Bore size	Mark	CD	D	E	EW	L	T	W	ZT
Ø32		10	32.5	47	26	22	10	10.5	163
Ø40		12	38	53	28	25	10	13	186
Ø50		12	46.5	65	32	27	12	13	211
Ø63		16	56.5	75	40	32	12	17	228
Ø80		16	72	95	50	36	16	17	252
Ø100		20	89	115	60	41	16	21	270

DNE series Locking cylinder

Bracket dimensions

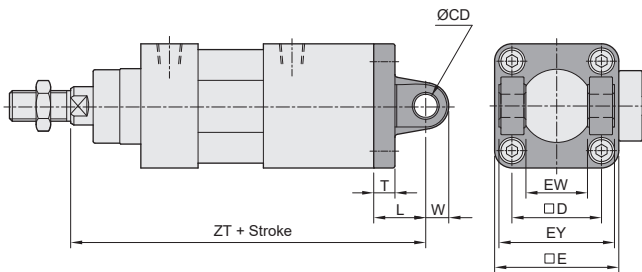
CHELIC

◉ Clevis – **CB** Double clevis



Unit: mm

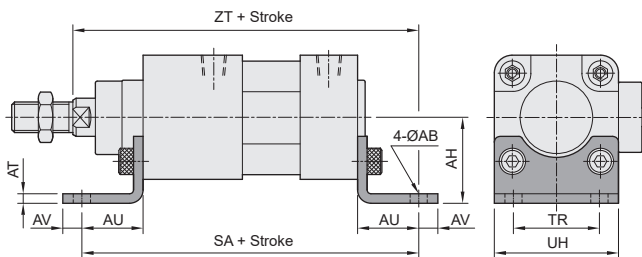
Bore size	Mark	CD	D	E	EW	EY	L	T	W	ZT
Ø32	10	32.5	47	26	45	22	10	10.5	156	
Ø40	12	38	53	28	52	25	10	11	178	
Ø50	12	46.5	65	32	60	27	12	12	192	
Ø63	16	56.5	75	40	70	32	12	15	210	
Ø80	16	72	95	50	90	36	16	17	238	
Ø100	20	89	115	60	110	41	16	21	260	



Unit: mm

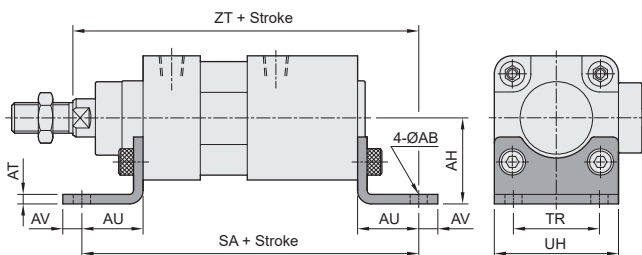
Bore size	Mark	CD	D	E	EW	EY	L	T	W	ZT
Ø32	10	32.5	47	26	45	22	10	10.5	163	
Ø40	12	38	53	28	52	25	10	11	186	
Ø50	12	46.5	65	32	60	27	12	12	211	
Ø63	16	56.5	75	40	70	32	12	15	228	
Ø80	16	72	95	50	90	36	16	17	252	
Ø100	20	89	115	60	110	41	16	21	270	

◉ Axial foot – **LB**



Unit: mm

Bore size	Mark	AB	AH	AT	AU	AV	SA	TR	UH	ZT
Ø32	7	32	5	24	8	156	32	47	158	
Ø40	9	36	5	28	10	179	36	53	181	
Ø50	9	45	5	32	10	192	45	65	197	
Ø63	9	50	5	32	10	205	50	75	210	
Ø80	12	63	6	41	13	238	63	95	243	
Ø100	14	71	6	41	15	250	75	115	260	



Unit: mm

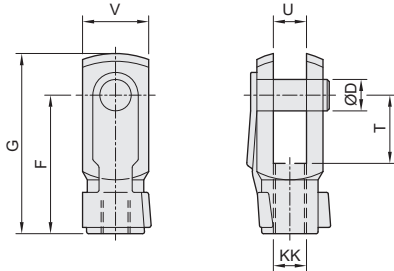
Bore size	Mark	AB	AH	AT	AU	AV	SA	TR	UH	ZT
Ø32	7	32	5	24	8	163	32	47	165	
Ø40	9	36	5	28	10	187	36	53	189	
Ø50	9	45	5	32	10	211	45	65	216	
Ø63	9	50	5	32	10	223	50	75	228	
Ø80	12	63	6	41	13	252	63	95	257	
Ø100	14	71	6	41	15	260	75	115	270	

DNE series Locking cylinder

Dimensions-Accessory

CHELIC

◉ Rod clevis



Model	Bore size	D	F	G	KK
Y - M10×1.25	Ø32	10	40	52	M10 × 1.25
Y - M12×1.25	Ø40	12	48	62	M12 × 1.25
Y - M16×1.5	Ø50, Ø63	16	64	83	M16 × 1.5
Y - M20×1.5	Ø80, Ø100	20	80	105	M20 × 1.5

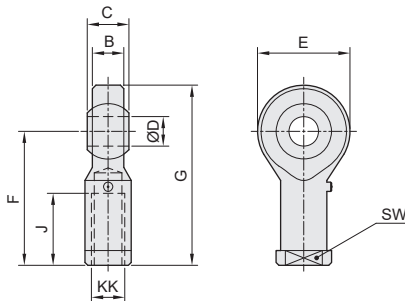
Model	Bore size	T	U	V	
Y - M10×1.25	Ø32	20	10	20	
Y - M12×1.25	Ø40	24	12	24	
Y - M16×1.5	Ø50, Ø63	32	16	32	
Y - M20×1.5	Ø80, Ø100	40	20	40	

DN

DMB

DU

◉ Rod end



Model	Bore size	B	C	D	E	F
G - M10×1.25	Ø32	10.5	14	10	26	43
G - M12×1.25	Ø40	12	16	12	30	50
G - M16×1.5	Ø50, Ø63	15	21	16	38	64
G - M20×1.5	Ø80, Ø100	18	25	20	46	77

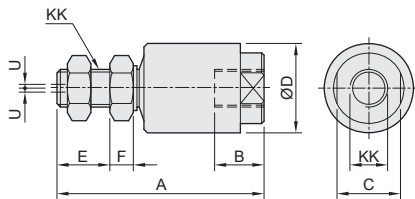
Model	Bore size	G	J	KK	SW
G - M10×1.25	Ø32	56	21	M10 × 1.25	17
G - M12×1.25	Ø40	65	24	M12 × 1.25	19
G - M16×1.5	Ø50, Ø63	83	33	M16 × 1.5	22
G - M20×1.5	Ø80, Ø100	100	40	M20 × 1.5	30

DNK

DNE

DCK2

◉ Float joint



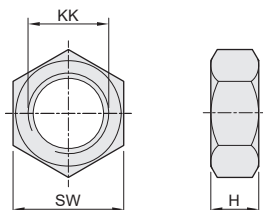
Model	Bore size	A	B	C	D	E
CJ - M10×1.25	Ø32	54	13	24	25.5	14.4
CJ - M12×1.25	Ø40	71	17	29	31	18.8
CJ - M16×1.5	Ø50, Ø63	88	21	27	38	31
CJ - M20×1.5	Ø80, Ø100	105	25	32	50	27.5

Model	Bore size	F	KK	U	
CJ - M10×1.25	Ø32	4.5	M10 × 1.25	1	
CJ - M12×1.25	Ø40	8	M12 × 1.25	1.15	
CJ - M16×1.5	Ø50, Ø63	8	M16 × 1.5	1.65	
CJ - M20×1.5	Ø80, Ø100	15.5	M20 × 1.5	2.15	

DQ

DCQ

◉ Rod nut



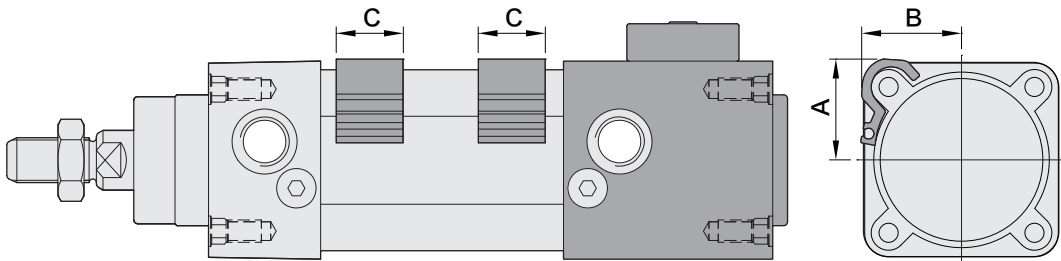
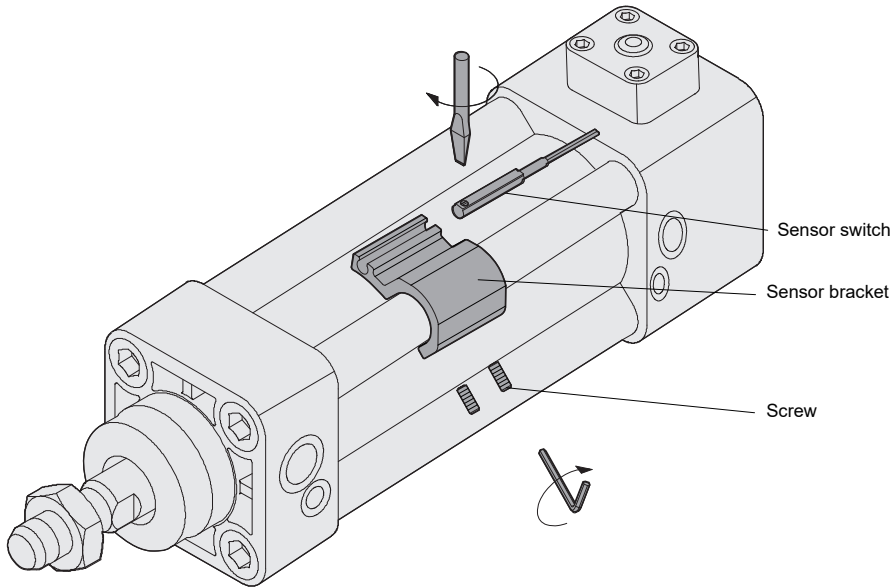
Model	Bore size	H	KK	SW
M10×1.25	Ø32	6	M10 × 1.25	17
M12×1.25	Ø40	7	M12 × 1.25	19
M16×1.5	Ø50, Ø63	8	M16 × 1.5	24
M20×1.5	Ø80, Ø100	8	M20 × 1.5	27

DNE series Locking cylinder

Mounting type of sensor switch

CHELIC

► Sensor switch mounting type



► Sensor switch bracket dimension

Unit: mm

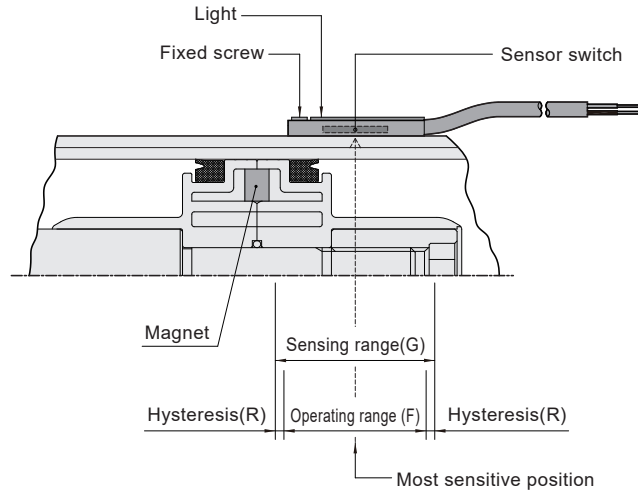
Bore size	32	40	50	63	80	100
A	24.2	27.3	34.4	39	49.4	57.8
B	25	28	33.4	38.7	48	57
C	26	26	26	26	26	26

DNE series Locking cylinder

Sensor switch operating range and the setting

CHELIC

Sensor switch setting and operating range



DN

DMB

DU

DNK

DNE

Sensing range

Sensor switch is fixed on the cylinder body. The magnetic piston head will activate the sensor switch when it enters the operating range. It has 0.5mm differential.

Operating range

When piston head moves the switch setting and adjustment will be based on the responding range generated by the magnetic field and the switch. (Please refer to the right table)

Unit: mm

Model	CS-9D(B)	
Bore size	Operating range (F)	Hysteresis(R)
32	12	2 ~ 3
40	12	2 ~ 3
50	15	3 ~ 3
63	15	2 ~ 3
80	20	2 ~ 3
100	20	2 ~ 3

DKK2

DQ

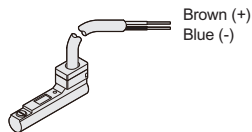
DCQ

Sensor switch introduction

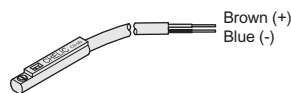
CS-8G



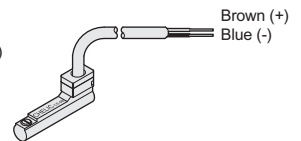
CS-8B



CS-9D



CS-9B



Voltage: DC 5~30V

Voltage: DC 5~120V
AC 5~120V