

JQ series Compact Cylinder

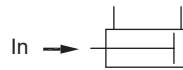
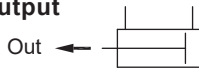
Installation and Use

CHELIC

Internal structure

- Select cylinder with sufficient output when loading different objects.
- Select high-temperature resistance or anti-corrosion cylinder when using under high-temperature or corrosion environment.
- Cylinders should be protected if used in high-temperature, dusty environment. Or the environment with water-dropping, oil dust and welding dust.
- Before piping, the pipe should be cleaned proper to avoid dust and object flow to inner of cylinder.
- A 40µm filter products shall be applied before cylinder.
- Please don't select large stroke because the piston at the front cover is short.
- Under freezing Anti-frozen safeguard should be implemented to avoid freezing water in system.
- To prolong cylinder's life cycle, please avoid loading on side.
- If the cylinder will not be used for a long while, dustproof caps must be inserted for the surface rustproof. Please especially mind that the front and end covers cannot be dismantled.

Theoretical output



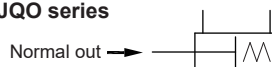
Unit: Newton(N)

Bore size	Rod diameter	Acting	Piston area (mm ²)	Air pressure (kpf/cm ²)						
				1	2	3	4	5	6	7
12	6	PUSH	113.1	11.3	22.6	33.9	45.2	56.5	67.9	79.2
		PULL	84.8	8.5	17.0	25.4	33.9	42.4	50.9	59.4
16	6	PUSH	201.1	20.1	40.2	60.3	80.4	100.5	120.6	140.7
		PULL	150.8	15.1	30.2	45.2	60.4	75.5	90.6	105.7
20	10	PUSH	314.2	31.4	62.8	94.2	125.7	157.1	188.5	219.9
		PULL	235.6	23.6	47.1	70.7	94.2	117.8	141.4	164.9
25	12	PUSH	490.9	49.1	98.2	147.3	196.3	245.4	294.5	343.6
		PULL	377.8	37.8	75.6	113.3	151.1	188.9	226.7	264.4
32	16	PUSH	804.2	80.4	160.8	241.3	321.7	402.1	482.5	563.0
		PULL	603.2	60.3	120.6	181.0	241.3	301.6	361.9	422.2
40	16	PUSH	1256.6	125.7	251.3	377.0	502.7	628.3	754.0	879.6
		PULL	1055.6	105.6	211.1	316.7	422.2	527.8	633.3	738.9
50	20	PUSH	1963.5	196.3	392.7	589.0	785.4	981.7	1178.1	1374.4
		PULL	1649.3	164.9	329.9	494.8	659.7	824.7	989.6	1154.5
63	20	PUSH	3177.2	317.7	623.4	935.2	1246.9	1558.6	1870.3	2182.1
		PULL	2803.1	280.3	560.6	840.9	1121.2	1401.5	1681.9	1962.2
80	25	PUSH	5026.5	502.7	1005.3	1508.0	2010.6	2513.3	3015.9	3518.6
		PULL	4535.7	453.6	907.1	1360.7	1814.3	2267.8	2721.4	3175.0
100	32	PUSH	7854.0	785.4	1570.8	2356.2	3141.6	3927.0	4712.4	5497.8
		PULL	7049.7	705.0	1409.9	2114.9	2819.9	3524.9	4229.8	4934.8

JQI series



JQO series



Unit: Newton(N)

Acting	Bore size	Rod diameter	Piston area (mm ²)	Air pressure (kpf/cm ²)						
				1	2	3	4	5	6	7
Normal in	12	6	113.1	—	13.6	24.9	36.2	47.5	58.9	70.2
	16	6	201.1	—	8.0	16.4	24.9	33.4	41.9	50.4
	20	10	314.2	—	27.0	47.1	67.2	87.3	107.4	127.5
	25	12	490.9	—	17.0	32.0	47.1	62.2	77.3	92.4
	32	16	804.2	—	36.8	68.2	99.7	131.1	162.5	193.9
	40	16	1256.6	—	21.2	44.7	68.2	91.8	115.4	138.9
	50	20	1963.5	18.1	67.2	116.3	165.3	214.4	263.5	312.6
Normal out	63	20	3117.2	6.8	44.6	82.3	120.1	157.9	195.7	233.4
	12	6	84.8	27.4	107.8	188.3	268.7	249.1	429.5	510.0
	16	6	150.8	7.3	67.6	128.0	188.3	248.6	308.9	369.2
	20	10	235.6	44.7	170.3	296.0	421.7	547.3	673.0	798.6
	25	12	377.8	24.6	130.1	235.7	341.2	446.8	552.3	657.9
	32	16	603.2	96.3	292.7	489.0	685.4	881.7	1078.1	1274.4
	40	16	1055.6	64.9	229.9	394.8	559.7	724.7	889.6	1054.5
	50	20	1649.3	141.7	453.4	765.2	1076.9	1388.6	1700.6	2012.1
	63	20	2803.1	110.3	390.6	670.9	951.2	1231.5	1511.9	1792.2

NA

NA2

NB

NU

ND

NQ

MSI

JQ

JD

JG

JTD

JTF

JCB

JCF

JE

JM

JQ series Compact Cylinder

Product features

CHELIC

Feature

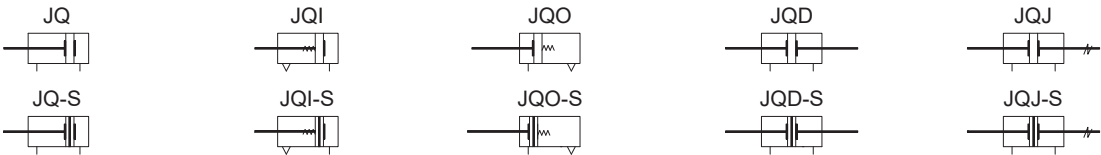
- To execute JIS standard.
- The C type snap ring can buckle up with front and end covers. Riveting structure, known as reliable and compact, is used on linking piston and piston rod.
- Cylinder body is with better wear-resistance and durability by treated rolling process and hard anodizing process.
- Contour dual-way seal structure is designed in piston. The features are compact in size and function of oil storage.
- Compact structure brings space saving.
- Easy for sensor installation with notches.
- Various accessories are available.

Specification

Item	Bore size (mm)	12	18	20	25	32	40	50	63	80	100
Action		Double acting/ Single acting/ Double-rod									
Fluid		Air									
Pressure range MPa	Double acting	0.1 ~ 1.0									
	Single acting	0.2 ~ 1.0									
Withstand pressure MPa		1.5									
Ambient and fluid temperature °C		-20 ~ 80									
Piston speed mm/s	Double acting	30 ~ 500									
	Single acting	50 ~ 500									
Stroke tolerance		Stroke $\leq 150^{+1.0}$ Stroke $> 150^{+1.0}$									
Shock absorber		Cushion									
Port size ①		M5x0.8			PT 1/8		PT 1/4		PT 3/8		

① NPT and G thread are available.

Symbol



Stroke

Bore size		Standard stroke	Max. stroke	Allowable stroke	
				Without magnet	With magnet
12	Double acting	5 10 15 20 25 30 35 40 45 50	50	80	70
	Single acting	5 10 15 20	20	—	—
16	Double acting	5 10 15 20 25 30 35 40 45 50 55 60	60	80	70
	Single acting	5 10 15 20	20	—	—
20	Double acting	5 10 15 20 25 30 35 40 45 50 55 60 70 75 80 90 100	100	130	130
	Single acting	5 10 15 20 25 30	30	—	—
32	Double acting	5 10 15 20 25 30 35 40 45 50 55 60 70 75 80 90 100	100	150	150
	Single acting	5 10 15 20 25 30	30	—	—
40	Double acting	5 10 15 20 25 30 35 40 45 50 55 60 70 75 80 90 100	100	150	150
	Single acting	5 10 15 20 25 30	30	—	—
50	Double acting	5 10 15 20 25 30 35 40 45 50 55 60 70 75 80 90 100	100	150	150
	Single acting	5 10 15 20 25 30	30	—	—
63	Double acting	5 10 15 20 25 30 35 40 45 50 55 60 70 75 80 90 100	100	150	150
	Single acting	5 10 15 20 25 30	30	—	—
80	Double acting	5 10 15 20 25 30 35 40 45 50 55 60 70 75 80 90 100	100	150	150
	Single acting	5 10 15 20 25 30	30	—	—
100	Double acting	5 10 15 20 25 30 35 40 45 50 55 60 70 75 80 90 100	100	150	150
	Single acting	5 10 15 20 25 30	30	—	—

- ① Note: 1. Within allowable strokes, please execute non-standard process when stroke > Max. stroke. Please contact us when execute other special strokes.
 2. The non-standard stroke of max. stroke was modified from the last level standard cylinder, so the outline is identical to the last level standard. For instance, the non-standard stroke 23 was modified by stroke 25 standard cylinder, so the outline is identical.

JQ series Compact Cylinder

Product features, Code of order

CHELIC

Code of order

Model	Bore size	Stroke	Adjustable stroke	Thread type	Sensor Switch	Thread code	Mounting type
JQ : Ultra-thin cylinder JQO : Ultra-thin cylinder (Single acting & Normal out) JQI : Ultra-thin cylinder (Single acting & Normal in) JQD : Ultra-thin cylinder (Double acting & Double-rod) JQJ : Ultra-thin cylinder (Adjustable & Double-rod) JQL : Diamond type cylinder (For bore size from Ø12-Ø25) JQ2B : Ultra-thin cylinder (For bore size from Ø12-Ø25)	12 - Ø12 mm 16 - Ø16 mm 20 - Ø20 mm 25 - Ø25 mm 32 - Ø32 mm 40 - Ø40 mm 50 - Ø50 mm 63 - Ø63 mm 80 - Ø80 mm 100 - Ø100 mm	Ø12 -5~50mm Ø16 -5~50mm Ø20 -5~50mm Ø25 -5~50mm Ø32 -10~100mm Ø40 -10~100mm Ø50 -10~100mm Ø63 -10~100mm Ø80 -10~100mm Ø100-10~100mm	Ø12 -5~50mm Ø16 -5~50mm Ø20 -5~50mm Ø25 -5~50mm Ø32 -10~100mm Ø40 -10~100mm Ø50 -10~100mm Ø63 -10~100mm Ø80 -10~100mm Ø100-10~100mm	None: Female thread B: Male thread ⚠ Caution ● Standard: Female thread ● Male thread must be marked "B"	None: Without magnet S : With magnet D : Sensor switch(CS-9D) B : Sensor switch(CS-9B) 2 : Number of sensor switch 1 = 1 sensor switch 2 = 2 sensor switches ⚠ Caution ● With magnet marked "S"	None: PT thread N : NPT thread G : G thread	None: no mounting accessory FA: Front flange mounting FB: Cap flange mounting CB: Double clevis LB: Foot mounting

⚠ Caution
● Only JQJ cylinder includes adjustable stroke 10, 20, 30, 40, 50, 75, 100

NA

NA2

NB

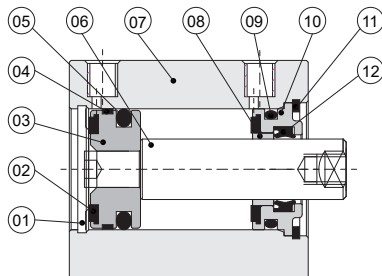
NU

ND

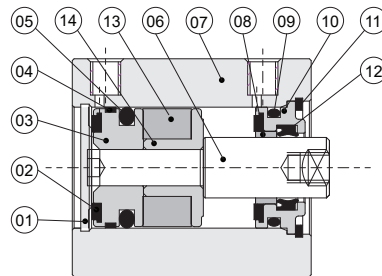
NQ

MSI

Internal structure



JQ Type



JQ-S Type

JQ

JD

JG

Components and material list

No.	Item	Material
1	Rear cover	None(Ø12-16)/ Aluminum alloy (other)
2	Cushion	TPU(Ø12-25)/ NBR (other)
3	Piston	Brass(Ø12-16)/ Aluminum alloy (other)
4	wear-resistance ring	None(Ø12-16)/ wear-resistance material(other)
5	Piston packing	NBR
6	Shaft	S45C Hard Chrome Plated Steel Bar
7	Body	Aluminum alloy
8	Cover	None(Ø12-16)/ wear-resistance material(other)
9	O-ring	NBR
10	Front cover	Brass(Ø12-16)/ Aluminum alloy (other)
11	C Clip	Spring brass
12	Shaft packing	NBR
13	Magnet	Winding NdFeB magnet(Ø12-25)/ Plastic (other)
14	Magnet base	Brass(Ø12-16)/ Aluminum alloy (other)

JTD

JTF

JCB

JCF

JE

JM

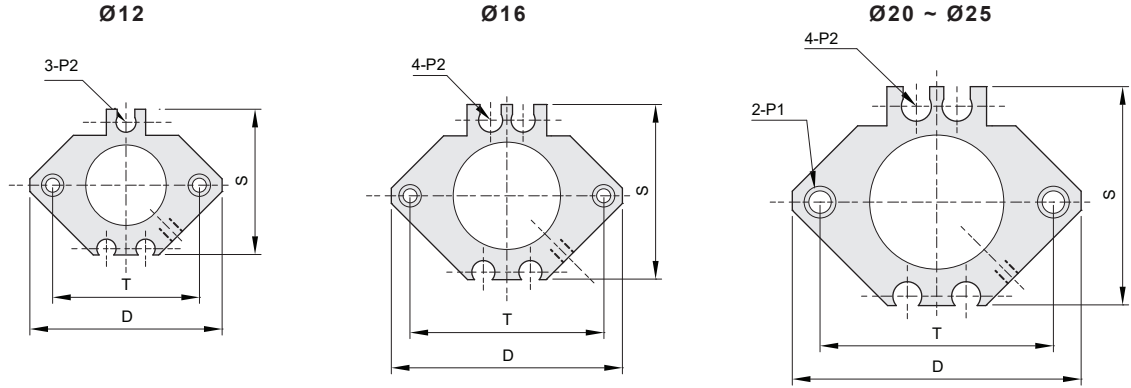
JQ series Compact Cylinder

Dimensions

CHELIC

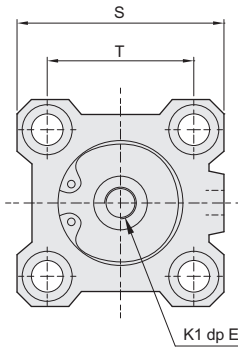
External dimensions

With magnet JQ-S

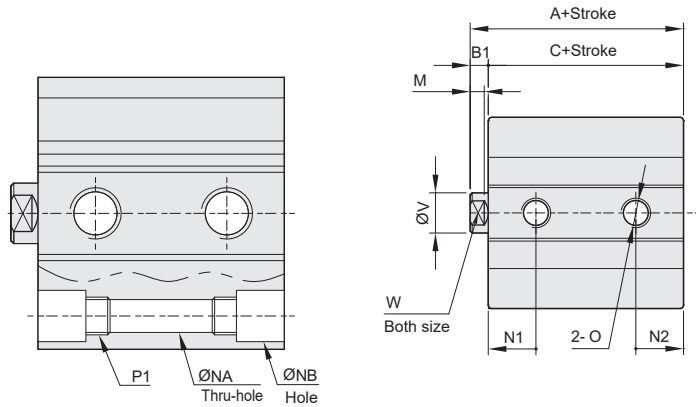


Standard type

Ø12~25



Mounting type



Mark	Standard type				With magnet		B1	E	K1	M	N1		N2	
	A		C		A	C					Standard type	With magnet	Standard type	With magnet
	≤50	≥60	≤50	≥60	A	C								
12	20.5	—	17	—	31.5	28	3.5	6	M3x0.5	3.5	7.5	9	5	7
16	22	—	18.5	—	34	30.5	3.5	8	M4x0.7	3	8	9.5	5.5	
20	24	34	19.5	29.5	36	31.5	4.5	7	M5x0.8	4	9	9.5	5.5	
25	27.5	37.5	22.5	32.5	37.5	32.5	4.5	12	M6x1.0	4.5	11		5.5	

Mark	P1	S	T	S	T	D	P2	NA	NB	O	V	W
		Standard type		With magnet								
12	Thread: M4x0.7 Screw length 7	25	15.5	27	22	32.9	4.3	3.5	6.5 dp 3.5	M5x0.8	6	5
16	Thread: M4x0.7 Screw length 7	29	20	29.2	28	36.9	4.3	3.5	6.5 dp 3.5	M5x0.8	8	6
20	Thread: M4x0.7 Screw length 10	36	25.5	35	36	46.8	4.3	5.5	9 dp 7	M5x0.8	10	8
25	Thread: M4x0.7 Screw length 10	40	28	40.3	40	52.4	4.3	5.5	9 dp 7	M5x0.8	12	10

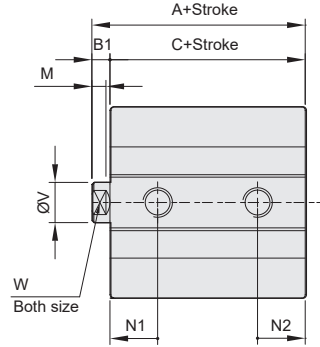
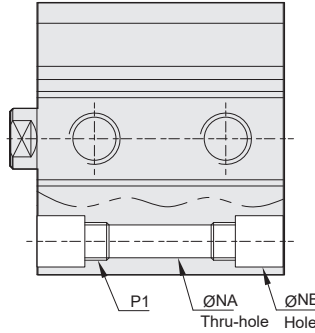
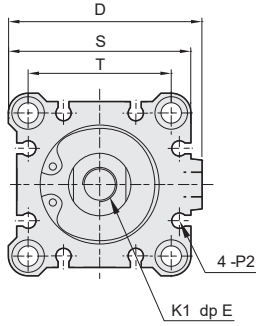
JQ series Compact Cylinder

Dimensions

CHELIC

Q JQ Ø32~Ø100

Mounting type



NA

NA2

NB

NU

ND

NQ

MSI

JQ

JD

JG

JTD

JTF

JCB

JCF

JE

JM

Mark	Stroke	Standard type				With magnet		B1	D	E	K1	M	N1		N2	
		A		C		A	C						Standard type	With magnet	Standard type	With magnet
		≤ 50	≥ 60	≤ 50	≥ 60											
32	Stroke=5	30	40	23	33	40	33	7	49.5	13	M8x1.25	6	11.5	10.5	6.5	7.5
	Stroke>5												10.5			7.5
40		36.5	46.5	29.5	39.5	46.5	39.5	7	57	13	M8x1.25	6	11			8
50	Stroke=5	38.5	48.5	30.5	40.5	48.5	40.5	8	71	15	M10x1.5	6.5	9	10.5	9	10.5
	Stroke>5												10.5			10.5
63	Stroke=5	44	54	36	46	54	46	8	84	15	M10x1.5	6.5	14	15	9.5	10.5
	Stroke>5												15			10.5
80		53.5	63.5	43.5	53.5	63.5	53.5	10	104	21	M16x2.0	8.5	16			12.5
100		65	75	53	63	75	63	12	123.5	27	M20x2.5	9.5	23			13

Bore size/ Mark	O	P1	NA	NB	S	T	V	W	P2
32	PT 1/8	Thread: M6x1.0 Screw length: 10	5.5	9 dp 7	45	34	16	14	4.3
40	PT 1/8	Thread: M6x1.0 Screw length: 10	5.5	9 dp 7	53	40	16	14	4.3
50	PT 1/4	Thread: M8x1.25 Screw length: 14	6.6	11 dp 8	64	50	20	17	4.3
63	PT 1/4	Thread: M10x1.75 Screw length: 18	9	14 dp 10.5	77	60	20	17	4.3
80	PT 3/8	Thread: M12x1.75 Screw length: 22	11	17.5 dp 13.5	98	77	25	22	4.3
100	PT 3/8	Thread: M12x1.75 Screw length: 22	11	17.5 dp 13.5	117	94	30	27	4.3

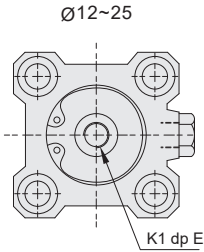
JQ series Compact Cylinder

Dimensions

CHELIC

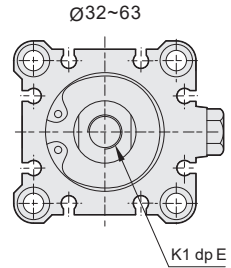
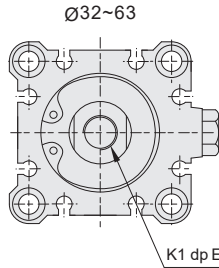
▶ JQI

Standard type

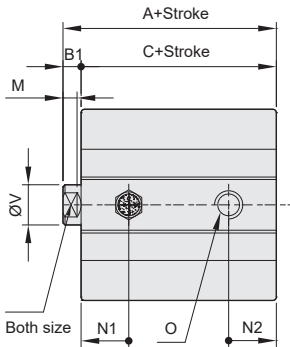


▶ JQO

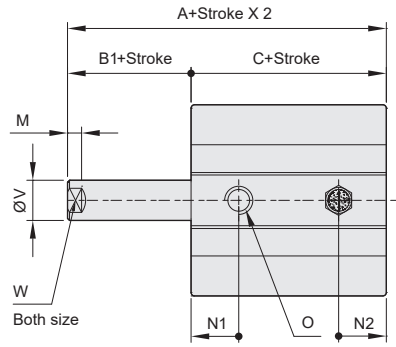
With magnet ①



▶ JQI



▶ JQO



① The front view of JQI/ JQO Ø12~Ø25 cylinders with magnet are the same as JQ series.

Type Mark/ Bore size	With magnet						Without magnet						B1	E	K1	M
	A			C			A			C						
Stroke	5/10	15/20	25/30	5/10	15/20	25/30	5/10	15/20	25/30	5/10	15/20	25/30				
12	36.5	41.5	—	33	38	—	25.5	30.5	—	22	27	—	3.5	6	M3x0.5	3.5
16	39	44	—	35.5	40.5	—	27	32	—	23.5	28.5	—	3.5	8	M4x0.7	3
20	41	46	51	36.5	41.5	46.5	29	34	39	24.5	29.5	34.5	4.5	7	M5x0.8	4
25	42.5	47.5	52.5	37.5	42.5	47.5	32.5	37.5	42.5	27.5	32.5	37.5	5	12	M6x1.0	4.5
32	45	50	55	38	43	48	35	40	45	28	33	38	7	13	M8x1.25	6
40	51.5	56.5	61.5	44.5	49.5	54.5	41.5	46.5	51.5	34.5	39.5	44.5	7	13	M8x1.25	6
50	58.5	63.5	68.5	50.5	55.5	60.5	48.5	53.5	58.5	40.5	45.5	50.5	8	15	M10x1.5	6.5
63	64	69	74	56	61	66	54	59	64	46	51	56	8	15	M10x1.5	6.5

Type/ Mark Bore size				N1		N2	
	O	V	W	Standard type	With magnet	Standard type	With magnet
12	M5x0.8	6	5	7.5	9	5	7
16	M5x0.8	8	6	8	9.5	5.5	
20	M5x0.8	10	8	9	9.5	5.5	
25	M5x0.8	12	10		11	5.5	
32	PT 1/8	16	14		10.5	7.5	
40	PT 1/8	16	14		11	8	
50	PT 1/4	20	17		10.5	10.5	
63	PT 1/4	20	17		15	10.5	

※ Note: sizes without marks are the same as JQ series.

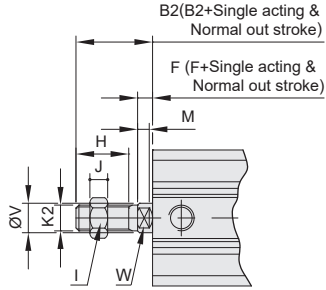
JQ series Compact Cylinder

Dimensions

CHELIC

Male thread dimension

(Bore size: $\varnothing 12\sim 100$, Stroke ≤ 100)

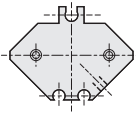


Bore size/ Mark	B2	F	H	I	J	K2	M	V	W
12	14	3.5	9	8	4	M5x0.8	3.5	6	5
16	15.5	3.5	10	10	5	M6x1.0	3	8	6
20	18.5	4.5	12	12	6	M8x1.25	4	10	8
25	22.5	5	15	17	6	M10x1.25	4.5	12	10
32	28.5	5	20.5	19	8	M14x1.5	4	16	14
40	28.5	5	20.5	19	8	M14x1.5	4	16	14
50	33.5	5	26	27	11	M18x1.5	4	20	17
63	33.5	5	26	27	11	M18x1.5	4	20	17
80	43.5	8	32.5	32	13	M22x1.5	5.5	25	22
100	43.5	8	32.5	36	13	M26x1.5	6	32	27

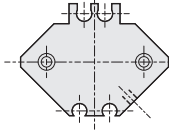
JQLD

With magnet

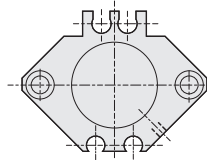
$\varnothing 12$



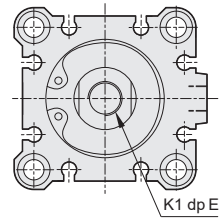
$\varnothing 16$



$\varnothing 20\sim 25$

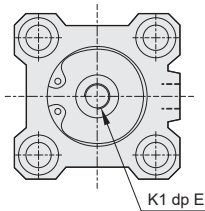


$\varnothing 32\sim 100$



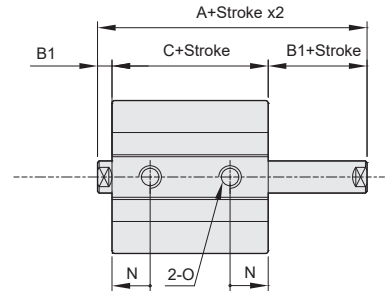
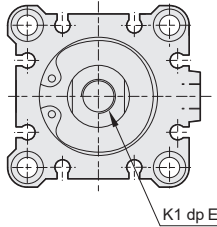
Standard type JQ2B

$\varnothing 12\sim 25$



Standard type JQ

$\varnothing 32\sim 100$



Type	Standard type		With magnet		B1	E	N
	A	C	A	C			
12	32.2	25.2	39.4	32.4	3.5	6	9
16	33	26	43	36	3.5	8	9.5
20	35	26	47	38	4.5	7	9.5
25	39	29	49	39	5	9.5 (S=5) 12 (S>5)	11
32	44.5	30.5	54.5	40.5	7	9 (S \leq 10) 13 (S>10)	10
40	54	40	64	50	7	11 (S \leq 10) 13 (S>10)	13
50	56.5	40.5	66.5	50.5	8	12 (S \leq 10) 15 (S>10)	13.5
63	58	42	68	52	8	12 (S \leq 10) 15 (S>10)	14.4 (S=5) 16 (S>5)
80	71	51	81	61	10	14 (S \leq 15) 20 (S>15)	16
100	84.5	60.5	94.5	70.5	12	20 (S \leq 25) 26 (other)	21

※ Note: sizes without marks are the same as JQ series. Please refer to the male thread size above.

NA

NA2

NB

NU

ND

NQ

MSI

JQ

JD

JG

JTD

JTF

JCB

JCF

JE

JM

JQ series Compact Cylinder

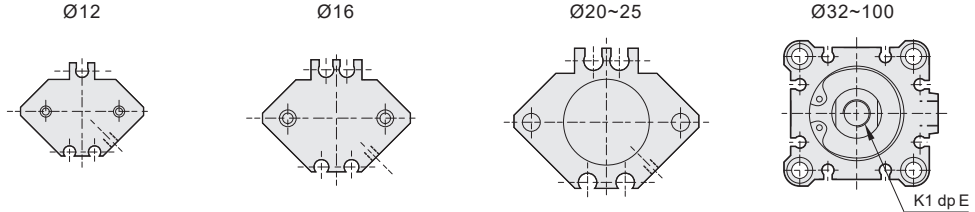
Dimensions

CHELIC

Female thread dimension

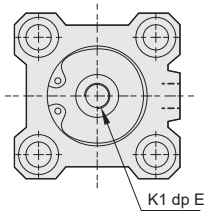
JQLJ (Bore size: $\varnothing 12\sim\varnothing 25$)

With magnet



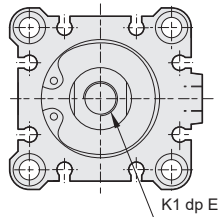
Standard type JQ2B

$\varnothing 12\sim 25$



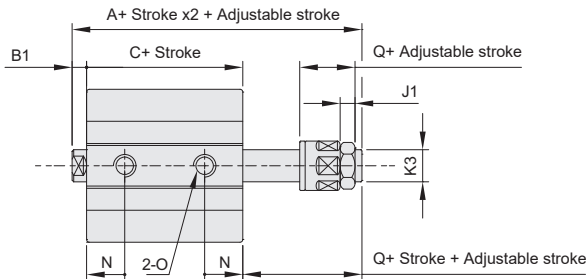
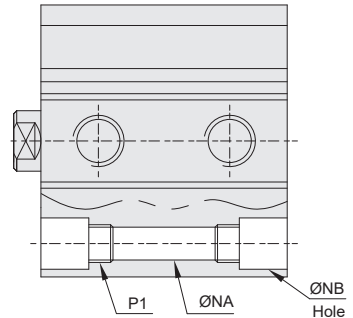
Standard type JQ

$\varnothing 32\sim 100$



Mounting type

Standard type



Type	Standard type		With magnet		B1	E	N	Q	J1	K3
	A	C	A	C						
12	45.2	25.2	52.4	32.4	3.5	6	9	17	4	M5x0.8
16	50	26	60	36	3.5	8	9.5	21	5	M6x1.0
20	55	26	67	38	4.5	7	9.5	25	6	M8x1.25
25	60.5	29	70.5	39	5	9.5 (S≤5) 12 (S>5)	11	27	6	M10x1.25
32	64.9	30.5	74.9	40.5	7	9 (S≤10) 13 (S>10)	10	28	7	M12x1.25
40	74.5	40	84.5	50	7	11 (S≤10) 13 (S>10)	13	28	7	M12x1.25
50	77	40.5	87	50.5	8	12 (S≤10) 15 (S>10)	13.5	29	8	M16x1.5
63	78.4	42	88.4	52	8	12 (S≤10) 15 (S>10)	14.4 (S=5) 13 (S>5)	29	8	M16x1.5
80	95.8	51	105.8	61	10	14 (S≤15) 20 (S>15)	16	35.5	10	M20x1.5
100	114.3	60.5	124.3	70.5	12	20 (S≤25) 26 (other)	21	42.5	13.5	M27x2.0

※ Note: sizes without marks are the same as JQ series.

JQ series Compact Cylinder/ Long Stroke Type

Product features

CHELIC

Feature

- To execute JIS standard with long stroke.
- The C type snap ring can buckle up with front and end covers. Riveting structure, known as reliable and compact, is used on linking piston and piston rod.
- Cylinder body is with better wear-resistance and durability by treated rolling process.
- Guiding ability is better by lengthening front cover.
- Compact structure brings space saving.
- Easy for sensor installation with notches.
- Various accessories are available.

Specification

Item	Bore size (mm)	32	40	50	63	80	100
Action		Double acting					
Fluid		Air					
Pressure range	MPa	0.1 ~ 1.0					
Withstand pressure	MPa	1.5					
Ambient and fluid temperature	°C	-20~80					
Piston speed	mm/s	30 ~ 150					
Stroke tolerance		101~150 $^{+1.0}_0$ > 150 $^{+1.4}_0$					
Shock absorber		Cushion					
Port size ①		PT 1/8		PT 1/4		PT 3/8	

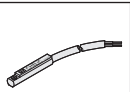
① NPT and G thread are available.

Stroke

Bore size	Standard stroke	Max. stroke	Allowable stroke
32 40 50 63 80 100	125 150 175 200 225 250 275 300	300	350

* Note: Within allowable strokes, please execute non-standard process when stroke > Max. stroke. Please contact us when execute other special strokes.

Code of order

Model	Bore size	Stroke	Adjustable stroke	Thread type	Sensor Switch	Thread code	Mounting type
JQ	32	10	10	B	S D 2		FA
JQ: Ultra-thin cylinder	32 - Ø32 mm 40 - Ø40 mm	Ø32 - 10~100 mm Ø40 - 10~100 mm	Ø32 - 10~100 mm Ø40 - 10~100 mm	<input type="checkbox"/> None: Female thread <input checked="" type="checkbox"/> B: Male thread <input type="checkbox"/> N: None thread	<input type="checkbox"/> None: Without magnet 	<input type="checkbox"/> None: PT thread <input checked="" type="checkbox"/> N: NPT thread <input type="checkbox"/> G: G thread	None: no mounting accessory FA: Front flange mounting FB: Cap flange mounting CB: Double clevis LB: Foot mounting
JQO: Ultra-thin cylinder (Single acting & Normal out)	50 - Ø50 mm 63 - Ø63 mm 80 - Ø80 mm 100 - Ø100 mm	Ø50 - 10~100 mm Ø63 - 10~100 mm Ø80 - 10~100 mm Ø100 - 10~100 mm	Ø50 - 10~100 mm Ø63 - 10~100 mm Ø80 - 10~100 mm Ø100 - 10~100 mm		<input checked="" type="checkbox"/> S: With magnet <input checked="" type="checkbox"/> D: Sensor switch(CS-9D) <input checked="" type="checkbox"/> B: Sensor switch(CS-9B) <input checked="" type="checkbox"/> 2: Number of sensor switch 1 = 1 sensor switch 2 = 2 sensor switches		
JQI: Ultra-thin cylinder (Single acting & Normal in)							
JQD: Ultra-thin cylinder (Double acting & Double-rod)							
JQJ: Ultra-thin cylinder (Adjustable & Double-rod)							

⚠ Caution
● Only JQJ cylinder includes adjustable stroke 10, 20, 30, 40, 50, 75, 100

NA

NA2

NB

NU

ND

NQ

MSI

JQ

JD

JG

JTD

JTF

JCB

JCF

JE

JM

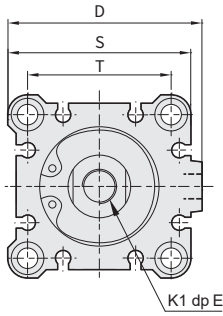
JQ series Compact Cylinder/ Long Stroke Type

Dimensions

CHELIC

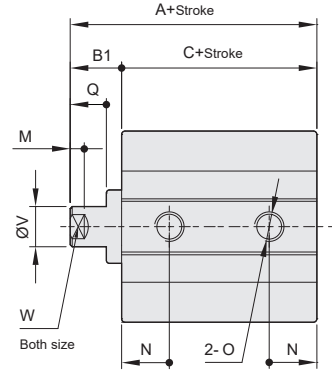
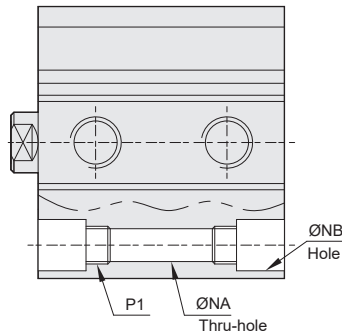
◉ JQ - Ø32 ~ Ø100 (Stroke > 100)

Standard type



Mounting type

Standard type:



Bore size/ Mark	A	B1	C	D	E	K1	M	N
32	62.5	17	45.5	49.5	13	M8x1.25	6	12.5
40	72	17	55	57	13	M8x1.25	6	14
50	73.5	18	55.5	71	15	M10x1.5	6.5	14
63	75	18	57	84	15	M10x1.5	6.5	16.5
80	86	20	66	104	21	M16x2.0	8.5	19
100	97.5	22	75.5	123.5	27	M20x2.5	9.5	23

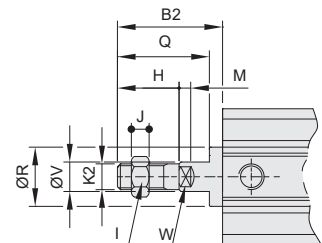
Bore size/ Mark	O	Q	R	S	T1	V	W
32	PT 1/8	12	22	45	34	16	14
40	PT 1/8	12	28	53	40	16	14
50	PT 1/4	13	35	64	50	20	17
63	PT 1/4	16	35	77	60	20	17
80	PT 3/8	15	43	98	77	25	22
100	PT 3/8	17	59	117	94	32	27

※ Note: sizes without marks are the same as JQ series.

◉ Male thread dimension

(Bore size: Ø32 - Ø100, Stroke > 100, Long stroke type)

Bore size/ Mark	B2	H	J	K2	M	Q	R	V	W
32	38.5	23.5	8	M14x1.5	6	33.5	22	16	14
40	38.5	23.5	8	M14x1.5	6	33.5	28	16	14
50	43.5	28.5	11	M18x1.5	6.5	38.5	35	20	17
63	43.5	28.5	11	M18x1.5	6.5	38.5	35	20	17
80	53.5	35.5	13	M22x1.5	8.5	48.5	43	25	22
100	53.5	35.5	13	M26x1.5	10	48.5	59	32	27



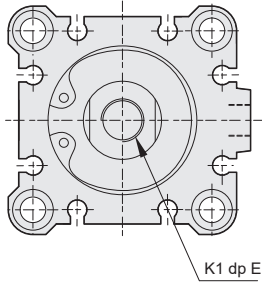
JQ series Compact Cylinder/ Long Stroke Type

Dimensions

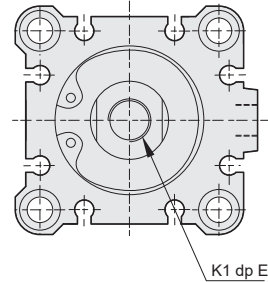
CHELIC

▶ JQJ/ JQD - Ø32 ~ Ø100 (Stroke > 100)

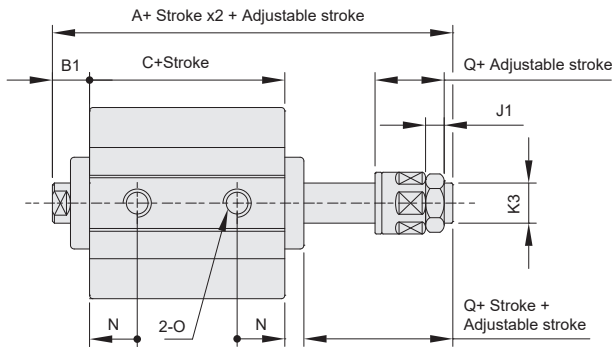
Standard type



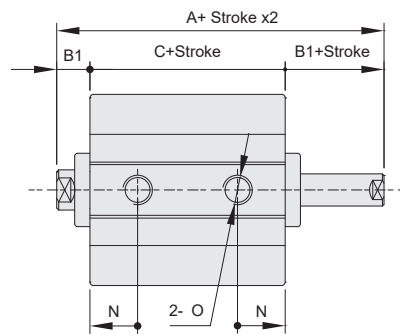
With magnet



JQJ



JQD



Mark	Standard type			With magnet			B1	E	N	Q	J1	K3
	A		C	A		C						
	JQD	JQJ		JQD	JQJ							
32	79.5	95.5	45.5	89.5	105.5	55.5	17	13	12.5	28	7	M12x1.25
40	89	105	55	99	115	65	17	13	14	28	7	M12x1.25
50	91.5	107.5	55.5	101.5	117.5	65.5	18	15	14	29	8	M16x1.5
63	93	109	57	103	119	67	18	15	16.5	29	8	M16x1.5
80	106	126.5	66	116	136.5	76	20	21	19	35.5	10	M20x1.5
100	119.5	145	75.5	129.5	155	85.5	22	27	23	42.5	13.5	M27x2.0

※ Note: Sizes without marks are the same as standard series. Please refer to above for the male thread size.

NA

NA2

NB

NU

ND

NQ

MSI

JQ

JD

JG

JTD

JTF

JCB

JCF

JE

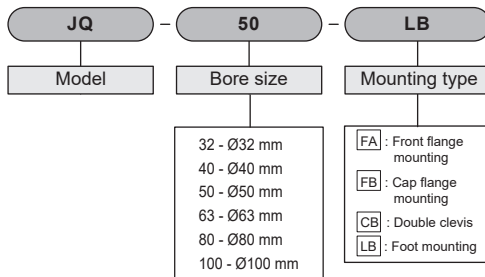
JM

JQ series Compact Cylinder/ Accessory

Product features, Code of order

CHELIC

Code of order



Accessory option

Accessory			Mounting accessory				Link accessory				Sensor switch	
			LB	EA	FB	CB	I	Y	F	U	CS-9D	CS-9B
JQ	Female thread	Standard	●	●	●	●		x			x	
		With magnet	●	●	●	●		x			●	
	Male thread	Standard	●	●	●	●		●			x	
		With magnet	●	●	●	●		●			●	
JSQ JTQ	Female thread	Standard	●	●	●	●		x			x	
		With magnet	●	●	●	●		x			●	
	Male thread	Standard	●	●	●	●		●			x	
		With magnet	●	●	●	●		●			●	
JQD	Female thread	Standard	●	●	●	x		x			x	
		With magnet	●	●	●	x		x			●	
	Male thread	Standard	●	●	●	x		●			x	
		With magnet	●	●	●	x		●			●	
JQJ	Female thread	Standard	●	●	●	x		x			x	
		With magnet	●	●	●	x		x			●	
	Male thread	Standard	●	●	●	x		●			x	
		With magnet	●	●	●	x		●			●	

Accessory material

Accessory	Mounting accessory				Fitting			
	FA	FB	CB	LB	Y	I	F	U
12 ~ 16	Aluminum alloy		Aluminum alloy	SPCC	S45C	S45C		
20, 25	Gray cast iron				Cast copper			
32 ~ 100								

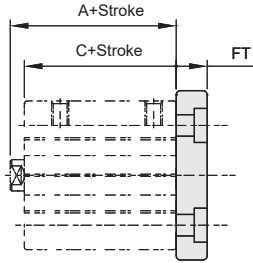
JQ series Compact Cylinder/ Accessory

Dimensions

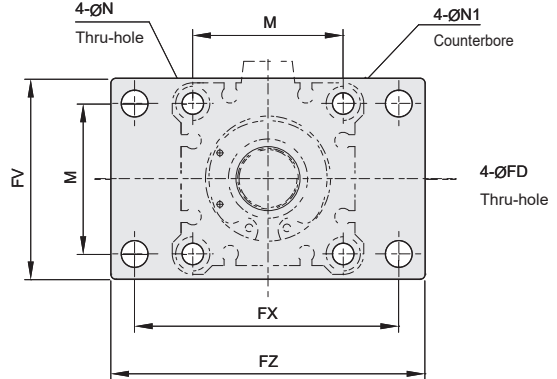
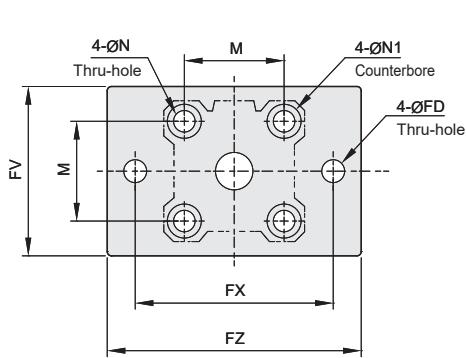
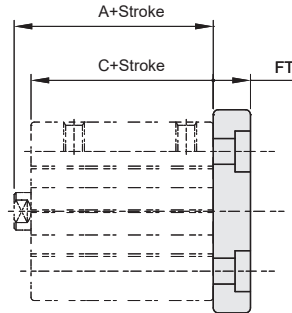
CHELIC

Model: FA, FB

Ø12~25



Ø32~100



Mark Stroke	Standard type				With magnet		M	N	N1	FD	FT	FV	FX	FZ
	A		C		A	C								
	≤50	≥60	≤50	≥60										
12	20.5	—	17	—	31.5	28	15.5	4.5	7.5	4.5	5.5	25	45	55
16	22	—	18.5	—	34	30.5	20	4.5	7.5	4.5	5.5	30	45	55
20	24	34	19.5	29.5	36	31.5	25.5	6.5	10.5	6.5	8	39	48	60
25	27.5	37.5	22.5	32.5	37.5	32.5	28	6.5	10.5	6.5	8	42	52	64
32	30	40	23	33	40	33	34	6.5	10.5	6.5	8	48	56	65
40	36.5	46.5	29.5	39.5	46.5	39.5	40	6.5	10.5	6.5	8	54	62	72
50	38.5	48.5	30.5	40.5	48.5	40.5	50	8.5	13.5	6.5	9	67	76	89
63	44	54	36	46	54	46	60	10.5	16.5	9	9	80	92	108
80	53.5	63.5	43.5	53.5	63.5	53.5	77	12.5	18.5	11	11	99	116	134
100	65	75	53	63	75	63	94	12.5	18.5	11	11	117	136	154

NA

NA2

NB

NU

ND

NQ

MSI

JQ

JD

JG

JTD

JTF

JCB

JCF

JE

JM

JQ series Compact Cylinder/ Accessory

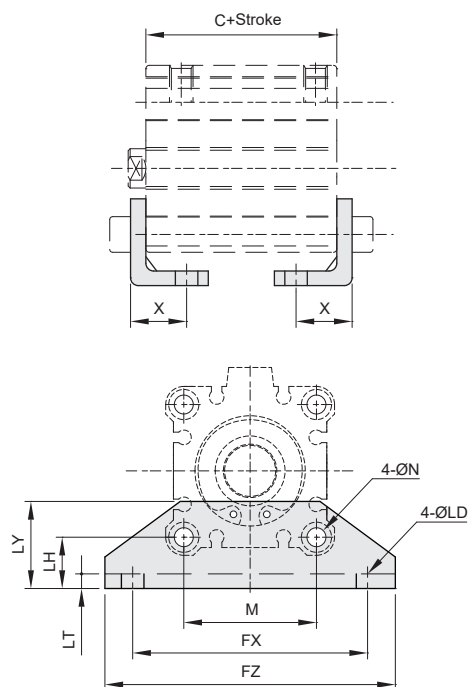
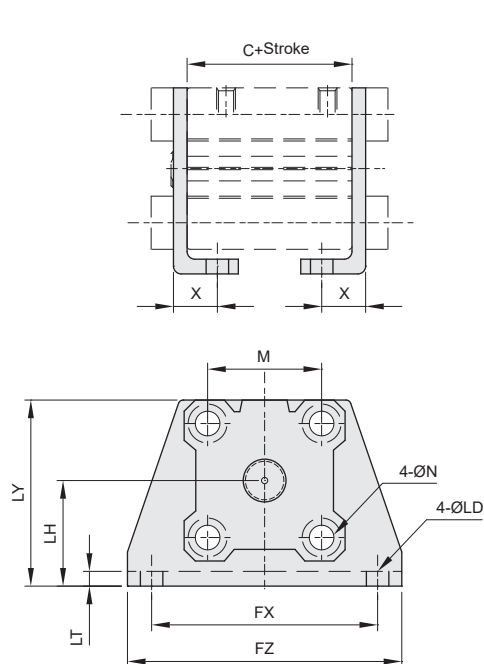
Dimensions

CHELIC

Model: LB

Ø12~25

Ø32~100



Mark Stroke	C			M	N	X	LD	LH	LT	LX	LY	LZ
	Standard type		With magnet									
	≤50	≥60										
12	17	—	28	15.5	4.5	8	4.5	17	2	34	29.5	44
16	18.5	—	30.5	20	4.5	8	4.5	19	2	38	33.5	48
20	19.5	29.5	31.5	25.5	6.5	9.2	6.5	24	3	48	42	62
25	22.5	32.5	32.5	28	6.5	10.7	6.5	26	3	52	46	66
32	23	33	33	34	6.5	11.2	6.5	13	3	57	20	71
40	29.5	39.5	39.5	40	6.5	11.2	6.5	13	3	64	20	78
50	30.5	40.5	40.5	50	8.5	12.2	8.5	14	3	79	22	95
63	36	46	46	60	10.5	13.7	10.5	16	3	95	26	113
80	43.5	53.5	53.5	77	13	16.5	13	20.5	4.5	118	32	140
100	53	63	63	94	13	23	13	24	6	137	36	162

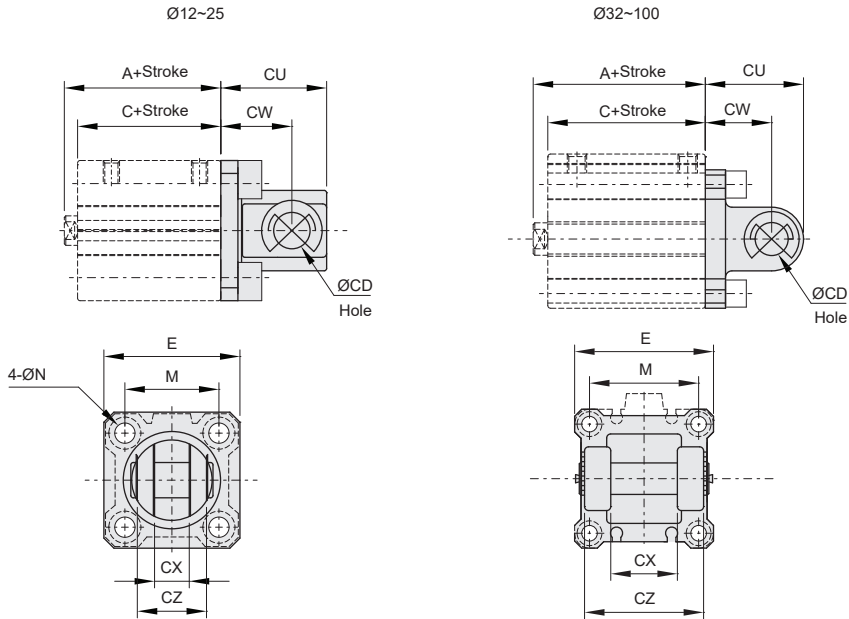
※ Note: Sizes without marks are the same as standard series. Please refer to above for the male thread size.

JQ series Compact Cylinder/ Accessory

Dimensions

CHELIC

Model: CB



Mark Stroke	Standard type				With magnet		E	M	N	CD	CU	CW	CX	CZ
	A		C		A	C								
Bore size	≤50	≥60	≤50	≥60	A	C								
12	20.5	—	17	—	31.5	28	25	15.5	4.5	5	20	14	5.3	9.8
16	22	—	18.5	—	34	30.5	29	20	4.5	5	21	15	6.8	11.8
20	24	34	19.5	29.5	36	31.5	36	25.5	6.5	8	27	18	8.3	15.8
25	27.5	37.5	22.5	32.5	37.5	32.5	40	28	6.5	10	30	20	10.3	19.8
32	30	40	23	33	40	33	45.5	34	6.5	10	30	20	18.3	35.8
40	36.5	46.5	29.5	39.5	46.5	39.5	53.5	40	6.5	10	32	22	18.3	35.8
50	38.5	48.5	30.5	40.5	48.5	40.5	64.5	50	8.5	14	42	28	22.3	43.8
63	44	54	36	46	54	46	77.5	60	10.5	14	44	30	22.3	43.8
80	53.5	63.5	43.5	53.5	63.5	53.5	98.5	77	12.5	18	56	38	28.3	55.8
100	65	75	53	63	75	63	117.5	94	12.5	22	67	45	32.3	63.8

※ Note: The A, C numbers above belongs to JQ series. For A, C numbers in other series, please refer to corresponding data.

NA

NA2

NB

NU

ND

NQ

MSI

JQ

JD

JG

JTD

JTF

JCB

JCF

JE

JM