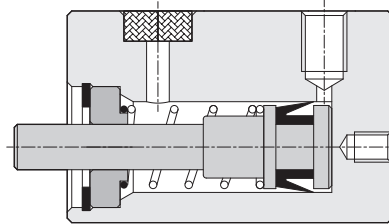


MSI series Mini Compact Cylinder

Product features

CHELIC

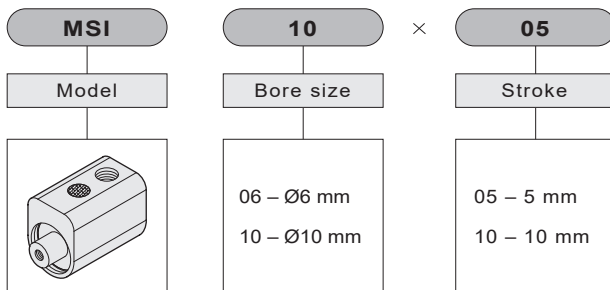
Internal structure



Specification

Model	Bore size	Ø6	Ø10
Action		Single acting	
Fluid		Air	
Pressure range	Kgf/cm ² (kPa)	2 ~ 7 (200 ~ 700)	
Max. operating pressure	Kgf/cm ² (kPa)	9.5 (950)	
Ambient and fluid temperature	°C	0 ~ 60	
Piston speed	mm/s	50 ~ 500	
Port size		M3 x 0.5	M5 x 0.8

Code of order



MSI :
Mini compact cylinder

NA

NA2

NB

NU

ND

NQ

MSI

JQ

JD

JG

JTD

JTF

JCB

JCF

JE

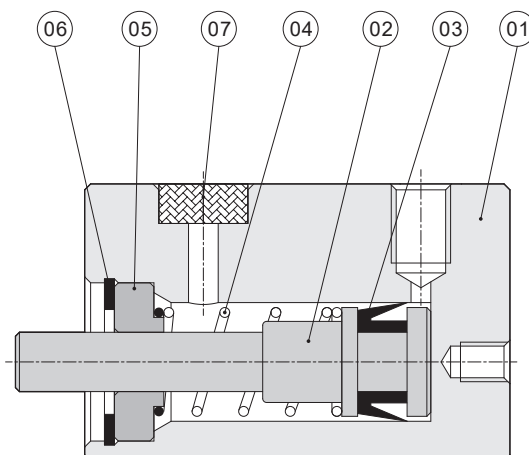
JM

MSI series Mini Compact Cylinder

Product features

CHELIC

Internal structure



Components and material list

No.	Item	Material	No.	Item	Material
01	Body	Aluminum alloy	05	Front cover	Aluminum alloy
02	Main shaft	Stainless steel	06	C clip	Spring steel
03	Piston packing	NBR	07	Silencer	Copper Alloy
04	Spring	Stainless steel			

O-ring part list

Bore size	mm	Ø6	Ø10
Item	quantity	1	1
Shaft packing		MYA-3	DYP-10

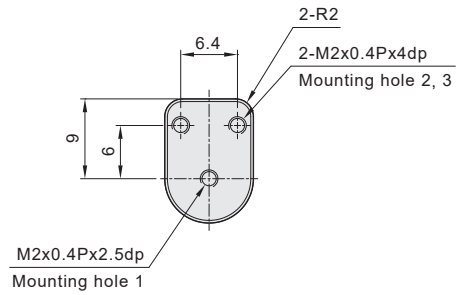
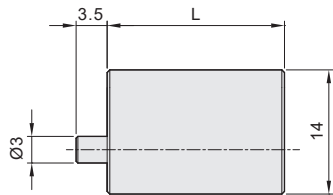
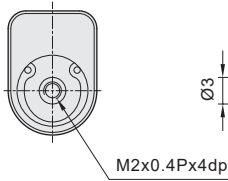
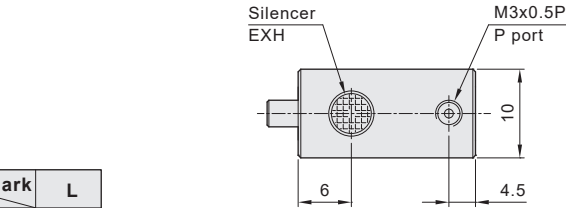
MSI series Mini Compact Cylinder

Dimension

CHELIC

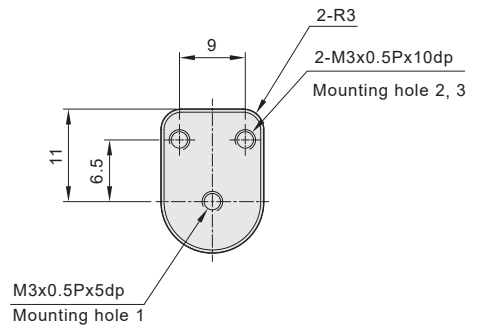
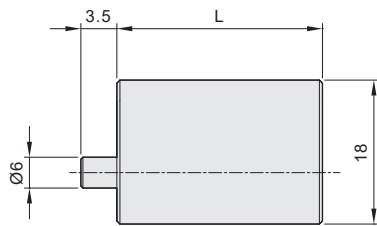
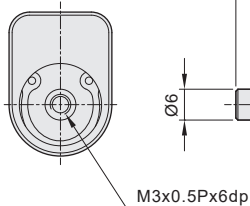
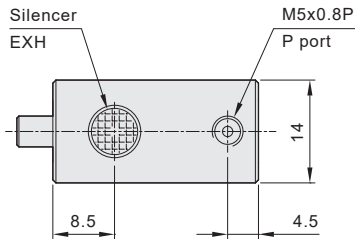
MSI 06 x

Stroke	Mark	L
5		21.5
10		26.5



MSI 10 x

Stroke	Mark	L
5		22
10		28



NA

NA2

NB

NU

ND

NQ

MSI

JQ

JD

JG

JTD

JTF

JCB

JCF

JE

JM