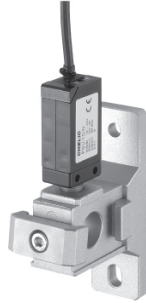


Air unit

F.R.L modular - Pressure switch PSN - 10T (Spacer and bracket included)

CHELIC

● PN-100T



● Installation



NC

NFC

PSN-10
30,41

NFR

MFR

● Specification

Item	Model	PN-100T-20	PN-100T-30	PN-100T-40	PN-100T-45	PN-100T-50
Fluid		Air				
Pressure range	kgf/cm ²	0~10 (Positive pressure)				
Temperature characteristic		±3% F.S. (Surrounding temperature: 25±3°C)				
Power supply voltage		12 to 24VDC ±10%, Ripple (P-P) 10% or less				
Applicable model		N200 series	N300 series	N400 series	N450 series	N500 series
Pressure switch		PSN-10				

MFRD

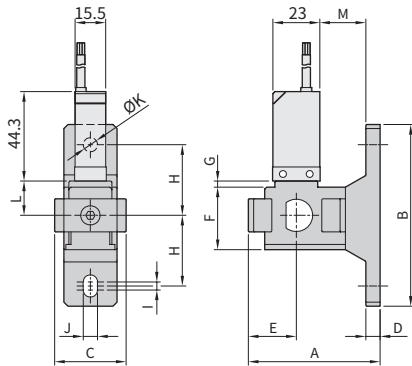
NF

MF

MFD

● External dimensions

● Code of order



PN - 100T — **30** — **02** — **01**

Model Port size Output type

● Spacer and PSN 10 included

Mark	Series
20	N200
30	N300
40	N400
45	N450
50	N500

Mark	01	02	03	04	06	10
Size	1/8	1/4	3/8	1/2	3/4	1
Port size	●	●	●	●	●	●

01: NPN output
02: PNP output
03: 2NPN output

NR

ARX

NPR

NL

N

DM

ERX

ERP

PG/AFB
NDV/AD

Model	A	B	C	D	E	F	G	H	I	J	K	L	M
N200	01	55	65	26	6	21	21	3	24	2	5.5	13	16.5
	02	64.5	90	28	7	23.5	31	3	35	4	7	17	22.5
N300	02	57.6	93	42	7	25.1	39.5	3.2	36	4	7	23	14
	03	57.6	93	42	7	25.1	39.5	3.2	36	4	7	23	14
N400	04	57.6	93	42	7	25.1	39.5	3.2	36	4	7	23	14
	06	109.5	125	53	10.4	39.5	50.5	4	50	4	12	28	48.1
N450	06												
	10												