

# AR/ BR/ CR series Regulator

## Product features

CHELIC



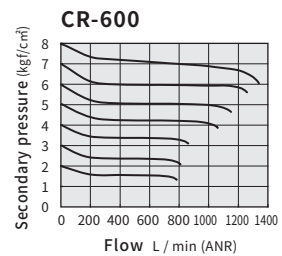
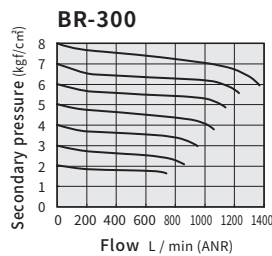
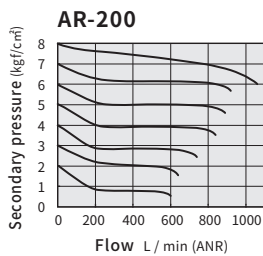
Symbol:



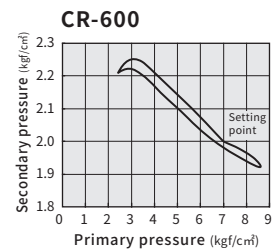
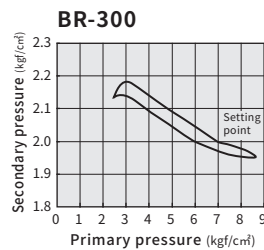
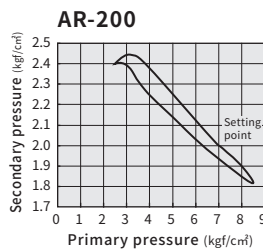
### Specification

| Item                          | Model                     | AR-150 (200)         | BR-200 (300) | CR-400 (600) |
|-------------------------------|---------------------------|----------------------|--------------|--------------|
| Fluid                         |                           | Air                  |              |              |
| Port Size                     | Rc                        | 1/8, (1/4)           | 1/4, (3/8)   | 1/2, (3/4)   |
| Pressure range                | kgf/cm <sup>2</sup> (kPa) | 0.5 ~ 8.5 (50 ~ 850) |              |              |
| Max. pressure                 | kgf/cm <sup>2</sup> (kPa) | 9.5 (950)            |              |              |
| Ambient and fluid temperature | °C                        | 5 ~ 60               |              |              |
| Weight                        | kg                        | 0.20                 | 0.23         | 0.32         |
| Material                      |                           | Aluminum die-casted  |              |              |

### Flow rate characteristic graph



### Pressure characteristics graph



AC  
BC  
CC

AFC  
BFC  
CFC

FR

F

R

L

A/B/C

# AR/ BR/ CR series Regulator

Code of order

CHELIC

## Code of order

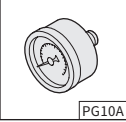
AR - 200 - G - PG 10A - L2 - Bracket

Model (1) Port size (2) Thread type (3) Pressure gauge (4) Max. adjustable pressure (5) Bracket (6)

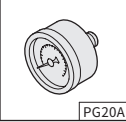
| Model           | Mark      | 150 | 200 | 300 | 400 | 600 |
|-----------------|-----------|-----|-----|-----|-----|-----|
| Port connection | Port size | 1/8 | 1/4 | 3/8 | 1/2 | 3/4 |
|                 | AR        | ●   | ●   |     |     |     |
|                 | BR        |     | ●   | ●   |     |     |
| CR              |           |     |     | ●   | ●   |     |

| None | G | N   |
|------|---|-----|
| RC   | G | NPT |
| ●    | ● | ●   |
| ●    | ● | ●   |
| ●    | ● |     |

PG-10A: Pressure gauge (option)  
※ For A series



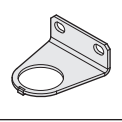
PG-20A: Pressure gauge (option)  
※ For B,C series



| None | standard 8.5 kg/cm <sup>2</sup>     |
|------|-------------------------------------|
| L1   | 1 kg/cm <sup>2</sup> (AC Series)    |
| L2   | 2 kg/cm <sup>2</sup> (AC Series)    |
| L4   | 4 kg/cm <sup>2</sup> (AC,BC Series) |

※ For A, B series

None: With Bracket (Standard)



※ REGULATOR series  
AR: Mini size  
BR: Medium size  
CR: Large size

## Pressure gauge (4)

| Pressure gauge |        | Model     |           |           |           |           |           |
|----------------|--------|-----------|-----------|-----------|-----------|-----------|-----------|
| Code           | Model  | AR-150    | AR-200    | BR-200    | BR-300    | CR-400    | CR-600    |
| PG10A          | PG-10A | ●(option) | ●(option) | —         | —         | —         | —         |
| PG20A          | PG-20A | —         | —         | ●(option) | ●(option) | ●(option) | ●(option) |

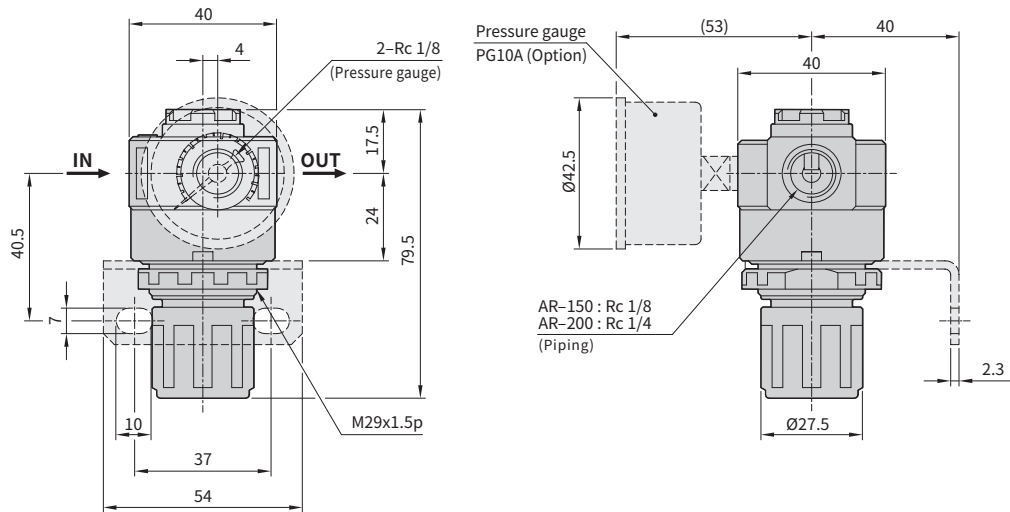
🔍 Note: (standard): Standard accessory; (option): Optional accessory.

# AR/ BR/ CR series Regulator

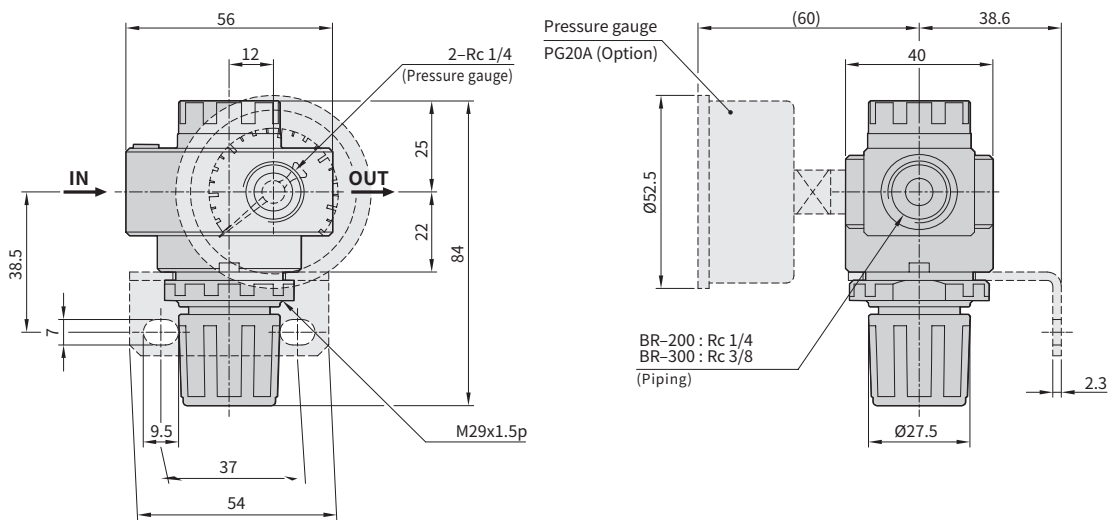
## Dimensions

CHELIC

### AR - 150



### BR - 200



- AC
- BC
- CC
- AFC
- BFC
- CFC
- FR
- F
- R
- L
- A/B/C

# AR/ BR/ CR series Regulator

## Dimensions

CHELIC

CR - 400

