

NR series Regulator

Product features/ Characteristics graph

CHELIC



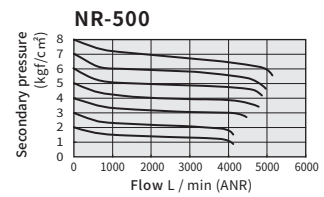
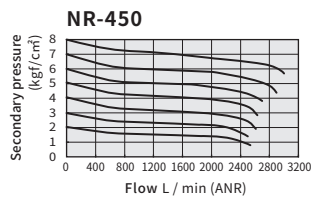
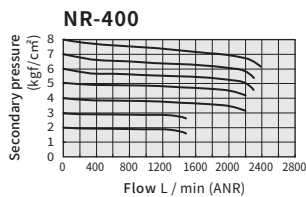
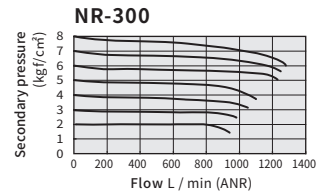
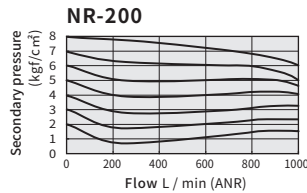
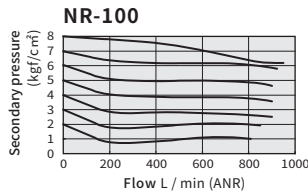
Symbol:



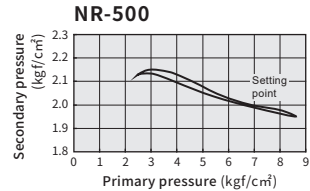
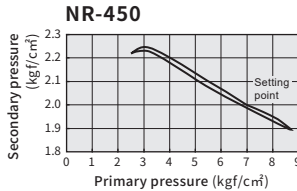
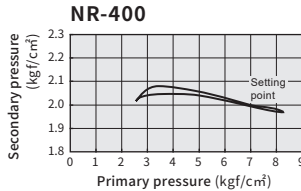
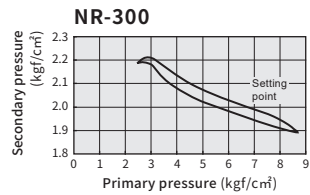
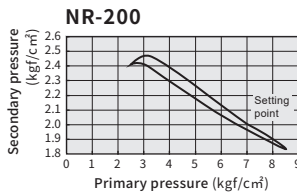
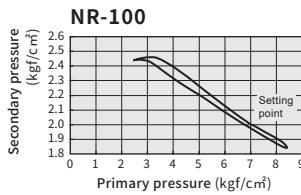
Specification

Item	Model	NR-100	NR-200	NR-300	NR-400	NR-450	NR-500
Fluid		Air					
Port size	Rc	M5, 1/8	1/8, 1/4	1/4, 3/8	1/4, 3/8, 1/2	1/2, 3/4	3/4, 1
Pressure range	kgf/cm ² (kPa)	0.5 ~ 8.5 (50 ~ 850)					
Max. service pressure	kgf/cm ² (kPa)	9.5 (950)					
Temperature	°C	5 ~ 60					
Weight	kg	0.18	0.21	0.34	0.45	0.85	1.15
Main body material		Aluminum die cast					

Flow rate characteristic graph



Pressure characteristics graph



NC

NFC

PSN-10
30,41

NFR

MFR

MFRD

NF

MF

MFD

NR

ARX

NPR

NL

N

DM

ERX

ERP

PG/AFB
NDV/AD

NR series Regulator

Code of order

CHELIC

Code of order

NR - 300 — 03 — G — PG 10 — L2 —

Model ① — Port size ② — Thread type ③ — Pressure gauge ④ — Most adjustable pressure ⑤ — Bracket ⑥

Model	Port size							
	Mark	M5	01	02	03	04	06	10
	Port size	M5	1/8	1/4	3/8	1/2	3/4	1
NR - 100	Port connection	●	●					
NR - 200			●	●				
NR - 300					●	●		
NR - 400					●	●	●	
NR - 450							●	●
NR - 500								●

Thread type		None	G	N
M5	RC	G	NPT	
●		●	●	●
		●	●	●
		●	●	●
		●	●	●
		●	●	●

PG-05
 ■ None : (Standard)
 Circle pressure gauge
 ※ For N100 series

PG-22N
 ■ None : (standard)
 (Square pressure gauge)
 (Thin mounting type)

PG-10A
 [PG-10A]:
 Pressure gauge (option)
 ※ N200, N300, N400, N450, N500 series (option)

None	standard 8.5 kg/cm ²
L1	1 kg/cm ²
L2	2 kg/cm ²
L4	4 kg/cm ²

■ None :
 With bracket (standard)

Pressure gauge - ④

Pressure gauge		NR-100	NR-200	NR-300	NR-400	NR-450	NR-500
Model	Order code						
PG-05	P5	● (standard)	—	—	—	—	—
PG-10	P10	—	● (option)	● (option)	● (option)	● (option)	● (option)
PG-22N	P22	—	●	●	●	●	●

🔍 Note: (standard): Standard accessory; (option): Optional accessory

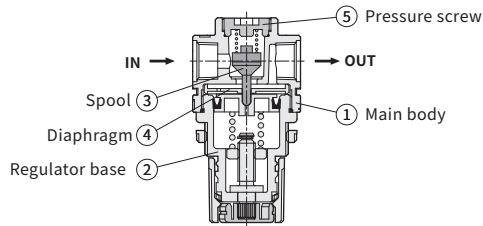
NR series Regulator

Product features

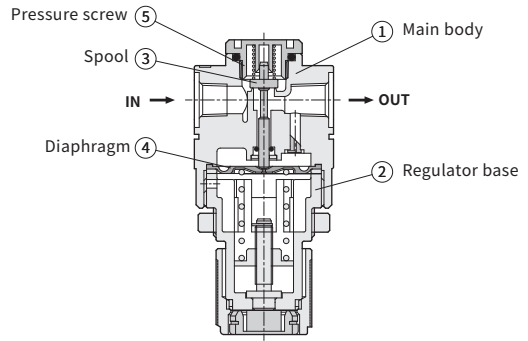
CHELIC

Internal structure

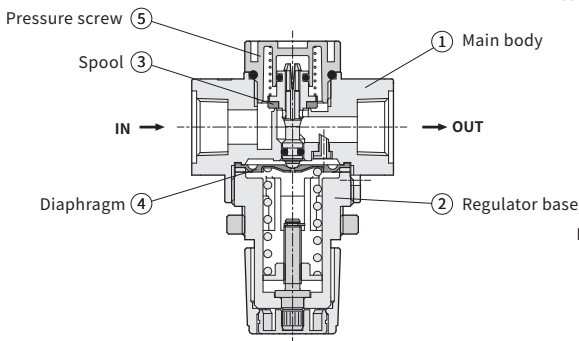
NR-100



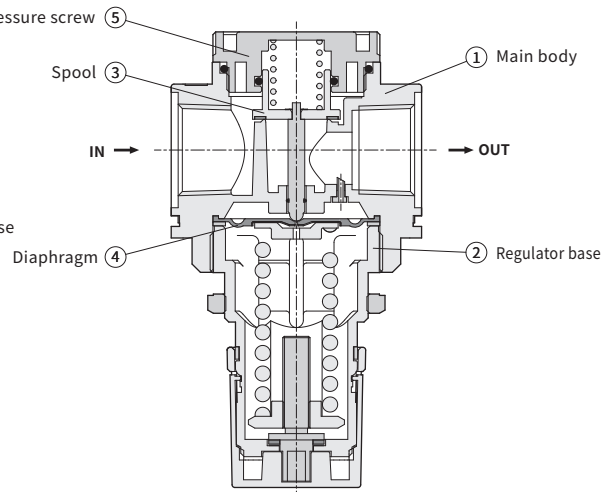
NR-200



NR-300, 400, 450



NR-500




Component

Number	Accessory	Material		Note
		NR100, NR200, NR300, NR400, NR450	NR500	
1	Main body	Aluminum alloy		
2	Regulator base	Aldehyde resin	Aluminum alloy	

Replacement parts

Number	Accessory	Material					Note
		NR100	NR200	NR300	NR400	NR450	
3	Spool	Copper + NBR					
4	Diaphragm	POM	Stainless steel + NBR				
5	Pressure screw	POM			Aluminum alloy		

 Note : NR 100 is piston type. And consist of piston and washer.

NC

NFC

PSN-10
30,41

NFR

MFR

MFRD

NF

MF

MFD

NR

ARX

NPR

NL

N

DM

ERX

ERP

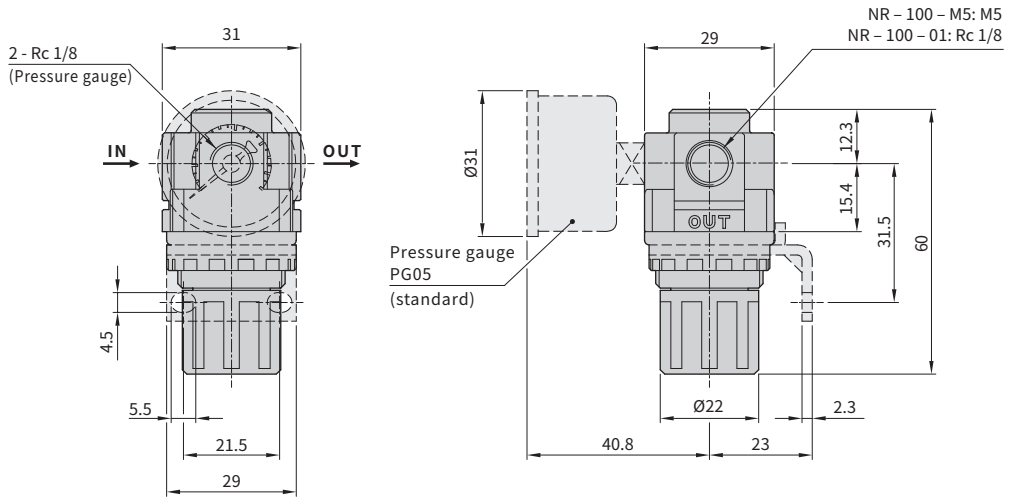
PG/AFB
NDV/AD

NR series Regulator

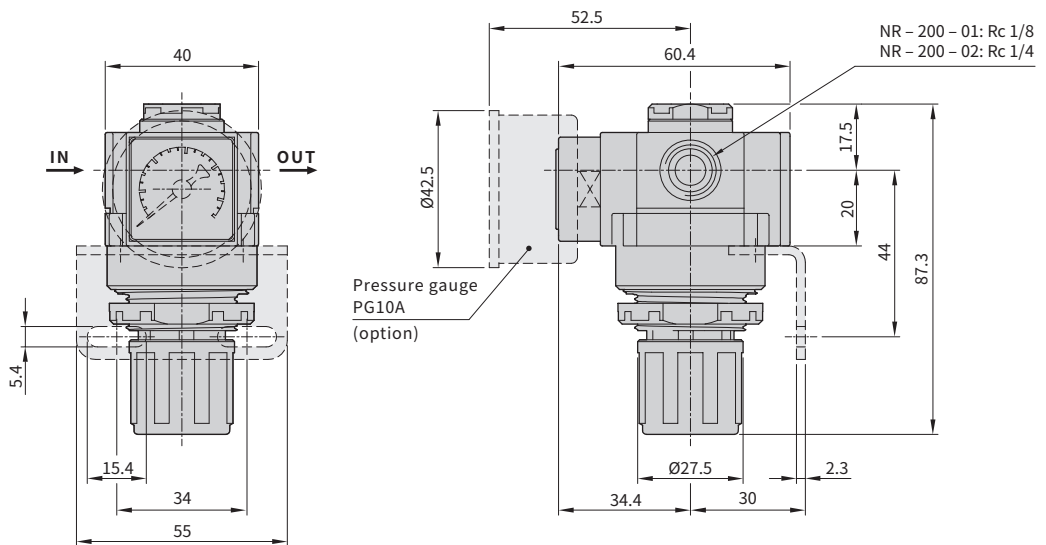
Dimensions

CHELIC

NR - 100 Standard



NR - 200 Standard

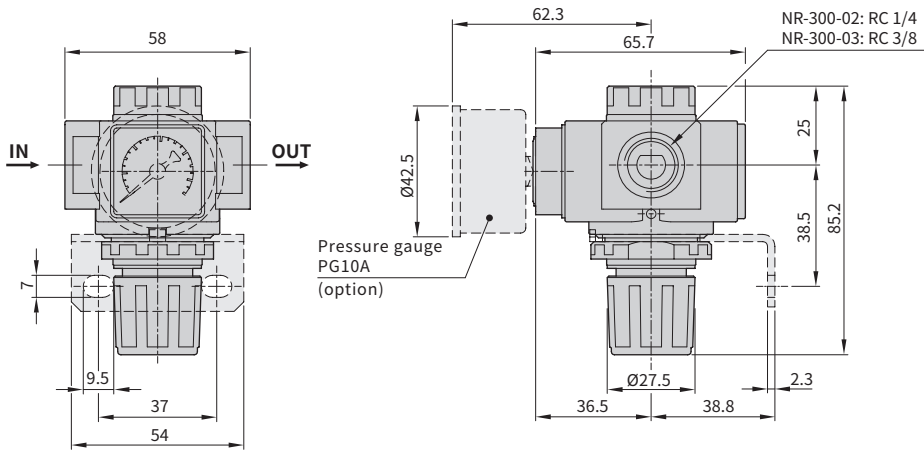


NR series Regulator

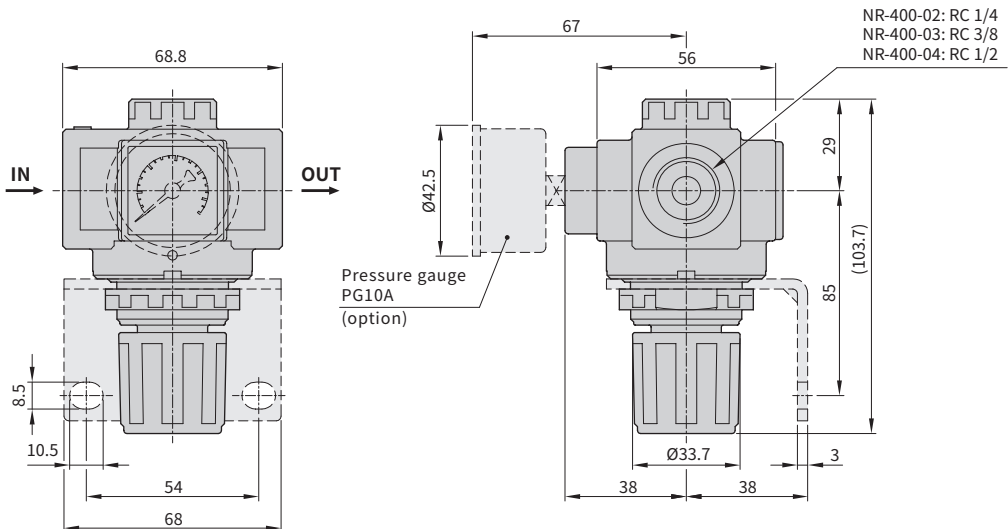
Dimensions

CHELIC

NR - 300 Standard



NR - 400 Standard



NC

NFC

PSN-10
30,41

NFR

MFR

MFRD

NF

MF

MFD

NR

ARX

NPR

NL

N

DM

ERX

ERP

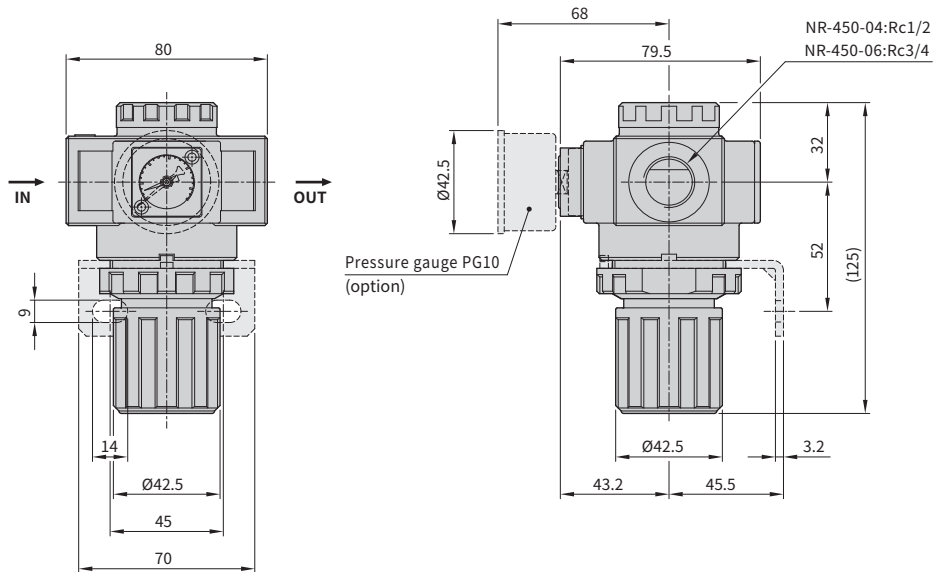
PG/AFB
NDV/AD

NR series Regulator

Dimensions

CHELIC

NR - 450 Standard



NR - 500 Standard

