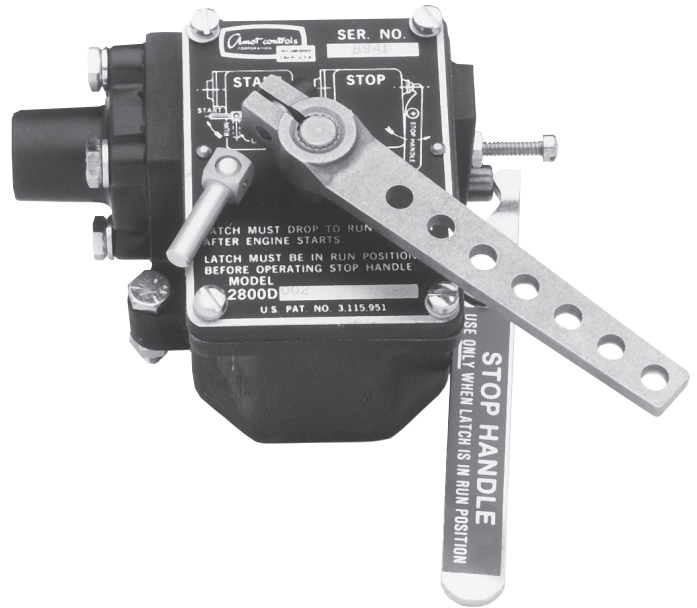


# Safety Shutdown Device

## Model 2800D

### Typical applications

- Monitors pressure or temperature on rotating machinery in hazardous and industrial applications



**Model 2800D**

### Key features and benefits

- Entirely mechanical
  - Requires no external power source
- Safe in hazardous area installation
- Snap acting
  - Immediate shutdown on sensed pressure loss
- Easy installation and operation



[www.amot.com](http://www.amot.com)

# Safety Shutdown Device - Model 2800D

---

## Contents

---

Overview .....	3
Operation .....	3
How to Order .....	3
Dimensions .....	4
Specification .....	6
Maintenance and Service Parts .....	6
How to order service kits .....	6
Service parts .....	6
Contact .....	8

# Safety Shutdown Device - Model 2800D

## Overview

The Model 2800 is a safety shutdown device which senses oil pressure or other control pressure. The device is typically connected to an engine fuel rack governor or fuel pump stop lever.

Should a loss or drop in oil pressure occur below the setpoint the 2800 will trip immediately.

## Operation

Model 2800 may be used alone or as the engine shutdown component in an engine monitoring system. It also can be coupled with a wide array of devices for monitoring pressures, temperatures or other variables on rotating machinery, or can operate as a stand-alone oil pressure sensor.

Model 2800 is a snap acting device monitoring low lubricating oil pressure or other control pressure. An emergency stop handle and a trip pressure adjusting screw are standard. Factory set to trip at 0.7 bar (10 psi) and field adjustable, from 0.35 - 2.8 bar (5 - 40 psi). A trip lever is installed on a splined shaft, and can be clamped in any of 36 radial positions to facilitate installation in most applications. The lever permits mechanical linkage between the tripping unit and the engine governor control, fuel pump stop lever or other mechanism.

Predrilled holes give a wide range of connection options. A standard reset latch is supplied.

The reset latch locks the trip lever in the "run" position until oil pressure is up to normal operating pressure, then the latch releases thus arming the device.

In normal condition, the 2800 is in open position and is being held open under the system pressure. When the system pressure drops below the factory set trip pressure of 0.7 bar (10 psi), the handle rotates 90° clockwise from its position in the open condition and closes the valve. In order to reopen the valve, the handle is moved to open the valve and the reset latch is engaged, which will hold the handle while the system is pressuring. The reset latch will be released when it reaches the reset latch release pressure of 1.8 bar (26 psi) and model 2800 will be open and working under the system pressure.

## How to Order

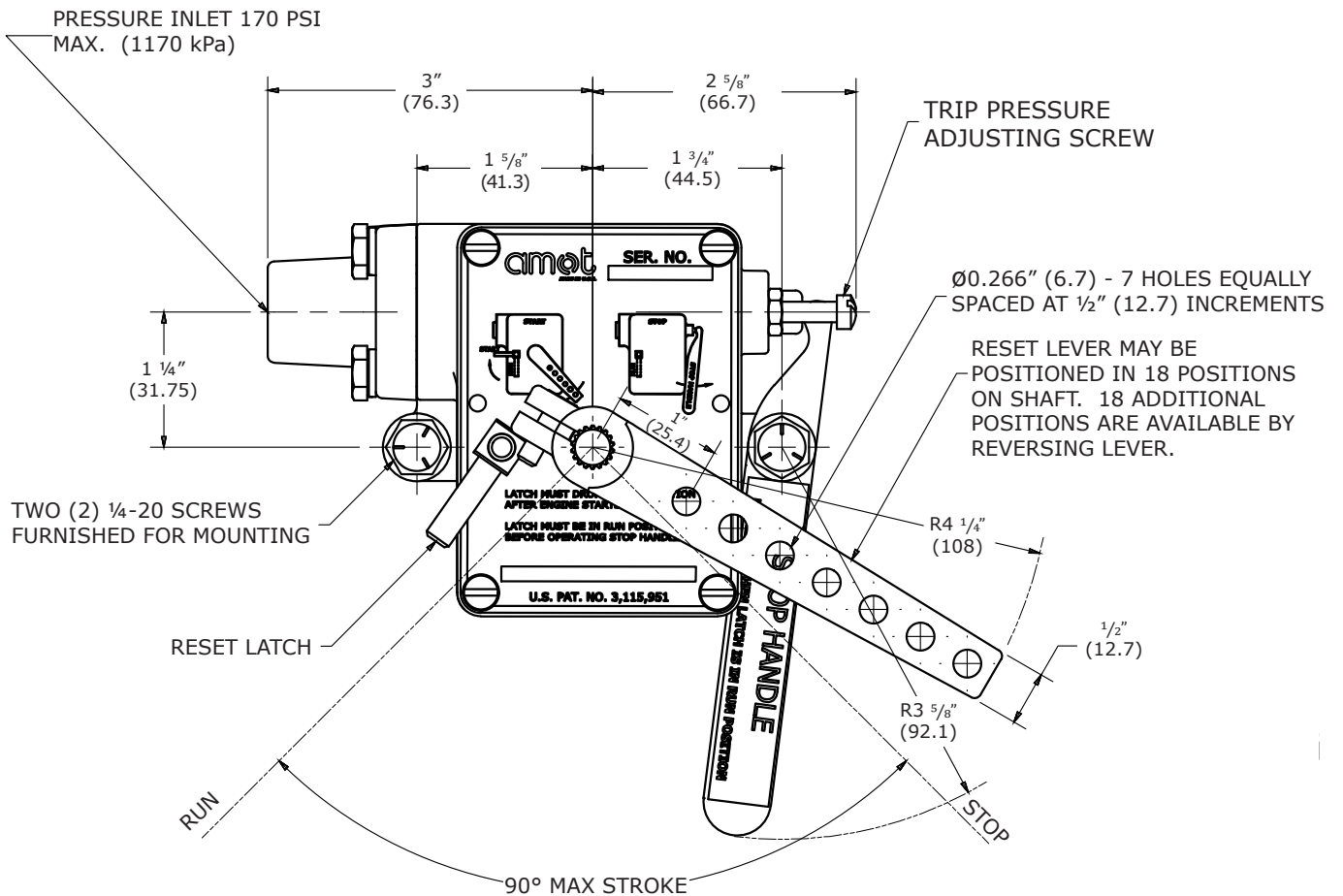
Use the table below to select the unique specification of your 2800D Safety Shutdown Device.

Example	2800D	4	1	2	Code description	Comments
					<b>Basic model (A)</b>	
<b>Basic model (A)</b>	2800D					
					<b>Body style (B)</b>	
<b>Body style (B)</b>		0			Aluminum, black anodized, front shaft	
		4			Aluminum, black anodized, rear shaft	
					<b>Pressure connection (C)</b>	
<b>Pressure connection (C)</b>		0			1/4" NPT	
		1			1/4" BSP PL	
		2			#6 straight thread SAE o-ring	
					<b>Reset latch (D)</b>	
<b>Reset latch (D)</b>			2		WITH reset latch	
					<b>Special requirements (E)</b>	
<b>Special Requirements (E)</b>				-AA	Standard	May be omitted
				-***	Made-to-order	

# Safety Shutdown Device - Model 2800D

## Dimensions

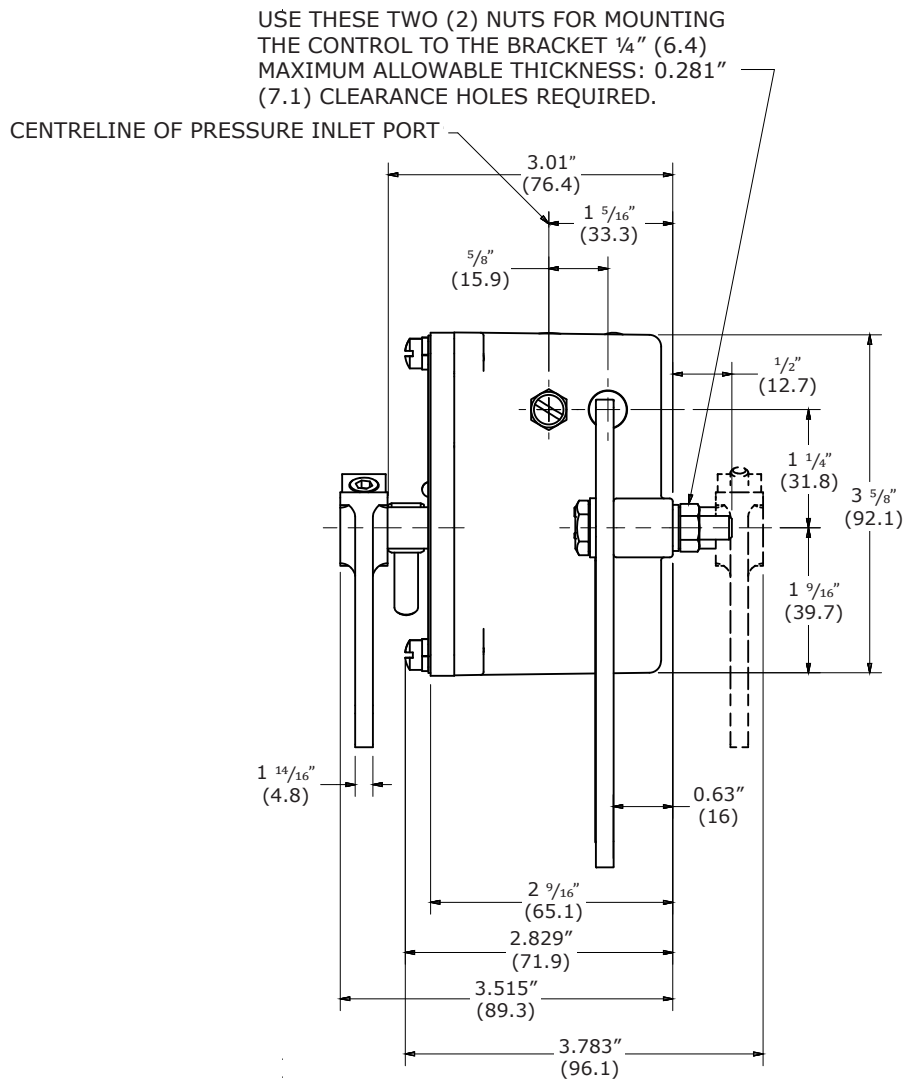
Dimensions - inches (mm)



# Safety Shutdown Device - Model 2800D

## Dimensions Continued

Dimensions - inches (mm)



# Safety Shutdown Device - Model 2800D

## Specification

		Metric units	English units
<b>Standard materials</b>			
Housing	Aluminum alloy dye casting		
Internals and levers	Precision steel castings		
<b>Pressure connections</b>	¼" NPT or BSP (PL)		
<b>Maximum pressure at inlet</b>		11.7 bar	170 psi
<b>Tripping pressure adjustment range (falling pressure)</b>		0.35 - 2.8 bar	5 - 40 psi
<b>Factory set trip pressure**</b>	Field adjustable	0.6 - 0.75 bar	9 - 11 psi
<b>Reset latch release pressure (MAX)</b>		1.8 bar	26 psi
<b>Tripping force available</b>	In run position at 1" (25.4 mm) radius	62.3 N	14 lbs
	In run position at 1" (25.4 mm) radius	31.1 N	7 lbs
<b>Net weight</b>		1 kg	2 lbs 3 oz
<b>Shipping weight</b>		1.36 kg	3 lbs

\*\* If factory set trip pressure is adjusted in the field, the reset latch will release within 1.17 bar (17 psi) above the field adjusted trip pressure

## Maintenance and Service Parts

Over time, exposure to prolonged operation at extreme conditions may reduce the effectiveness of the safety shutdown device. At such time, AMOT Model 2800D Safety Shutdown Devices can be restored to original performance by installing an AMOT safety shutdown device service kit. Service kits include all new seals, diaphragm and gasket required for normal maintenance.

### How to order service kits

Service kits are available with seals, diaphragm and gasket required to service the valve.

AMOT designs and tests all its products to ensure that high quality standards are met. For good product life, carefully follow the installation and maintenance instructions; failure to do so could result in damage to the equipment being protected or controlled.

All 2800D Safety Shutdown Devices require the same service kit **10049X**.

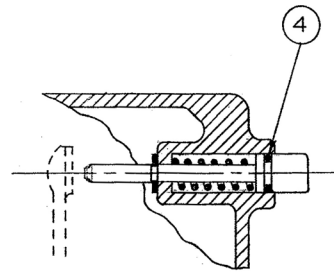
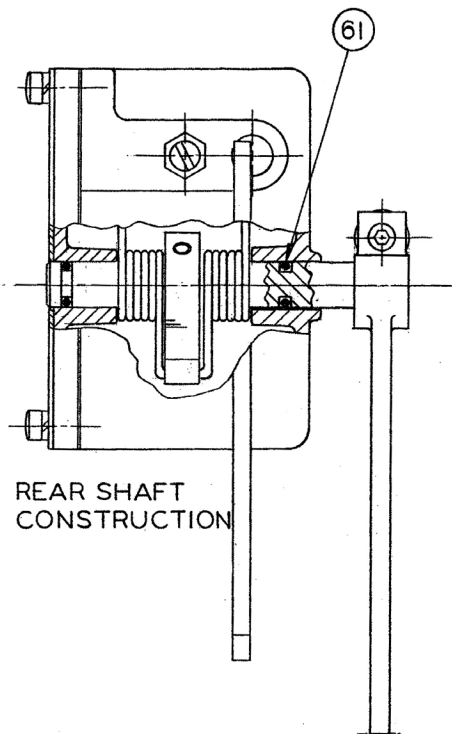
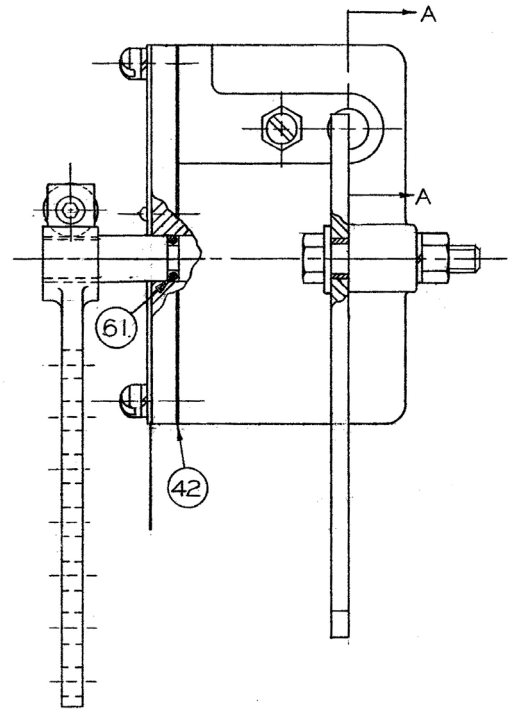
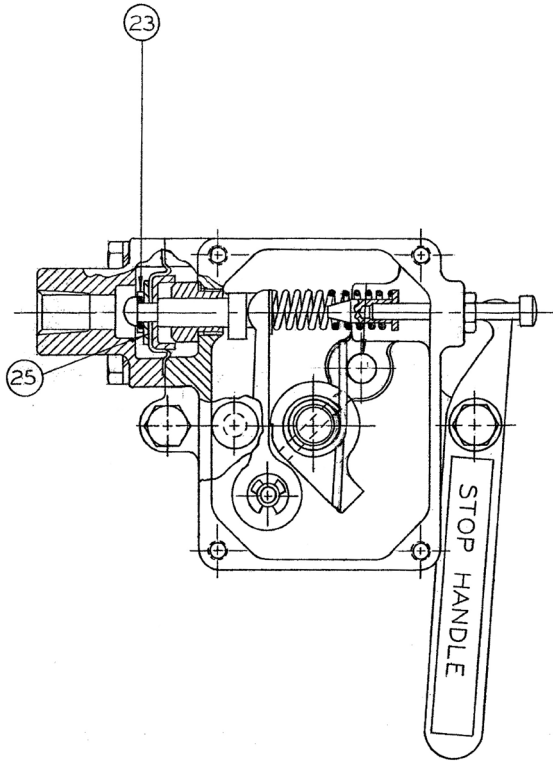
### Service parts (refer to diagrams on page 7)

Service kit parts		
Ref no.	Qty.	Description
4	1	Plunger seal
23	1	Seal
25	1	Diaphragm
42	1	Gasket
53	1	Reset latch seal
61	2	Trip shaft seals

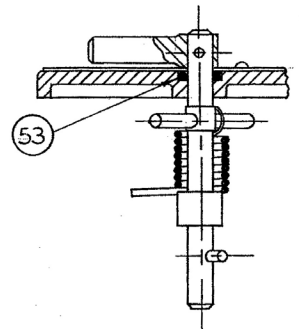
# Safety Shutdown Device - Model 2800D

## Maintenance and Service Parts Continued

### Service parts continued



Section A4



Reset Latch

# Safety Shutdown Device - Model 2800D

## Contact

---

### Americas

---

AMOT USA  
8824 Fallbrook Dr.  
Houston, TX 77064  
USA

Tel: +1 (281) 940 1800  
Fax: +1 (713) 559 9419  
Email: [customer.service@amot.com](mailto:customer.service@amot.com)

### Europe, Middle East and Africa

---

AMOT UK  
Western Way  
Bury St. Edmunds  
Suffolk, IP33 3SZ  
England

Tel: +44 1284 715739  
Fax: +44 1284 760256  
Email: [info@amot.com](mailto:info@amot.com)

AMOT Germany  
Rondenbarg 25  
22525 Hamburg  
Germany

Tel: +49 40 8537 1298  
Fax: +49 40 8537 1331  
Email: [germany@amot.com](mailto:germany@amot.com)

### Asia Pacific

---

AMOT Shanghai  
Bd. 7A, No. 568, Longpan Rd., Malu Jiading  
Shanghai 201801  
China

Tel: +86 21 5910 4052  
Fax: +86 21 5237 8560  
Email: [shanghai@amot.com](mailto:shanghai@amot.com)



#### **WARNING**

This product can expose you to chemicals including Lead, which is known to the state of California to cause cancer and birth defects or other reproductive harm. For more information go to [www.P65Warnings.ca.gov](http://www.P65Warnings.ca.gov).