



## Diaphragm seal MD 40 for paper and pulp industries



### Benefits

- Special flange connection for the pulp and paper industries
- Compact design
- Can be welded directly to the pressure gauge
- Various tubus lengths available

### Application


For mounting to Bourdon tube pressure gauges, pressure transducers or pressure switches. For corrosive, highly viscous, polluted or hardening media. Typical application areas:

Paper industry

Pulp industry

Lacquer industry

### Versions

	Process connection	Instrument connection	Nominal pressure	Part no.
	DN 48	Welded connection	PN 40	31347W

Blue part no. = in-stock items



## Technical specifications

### Process connection/tubus

Stainless steel 316 L, DN 48  
Loose retaining flange  
Stainless steel 304

### Diaphragm

Stainless steel 316 L

### Seal

NBR (Perbunan)

### Instrument connection

Stainless steel 316 L  
Welded connection

### Pressure transmission liquid

Paraffin oil (FM 09), FDA-listed

### Pressure range

See ordering table

### Nominal pressure

PN 40

### Scope of delivery

- Diaphragm seal
- Screws M6 x 20 (galvanised steel)
- Seal (NBR) 59 x 48 x 2 mm

## Options

### Process connection/tubus

- Extended tubus 18 mm (also suitable for O ring seal)
- Special materials
- Silicone-free version

### Diaphragm

- Special materials

### Instrument connection

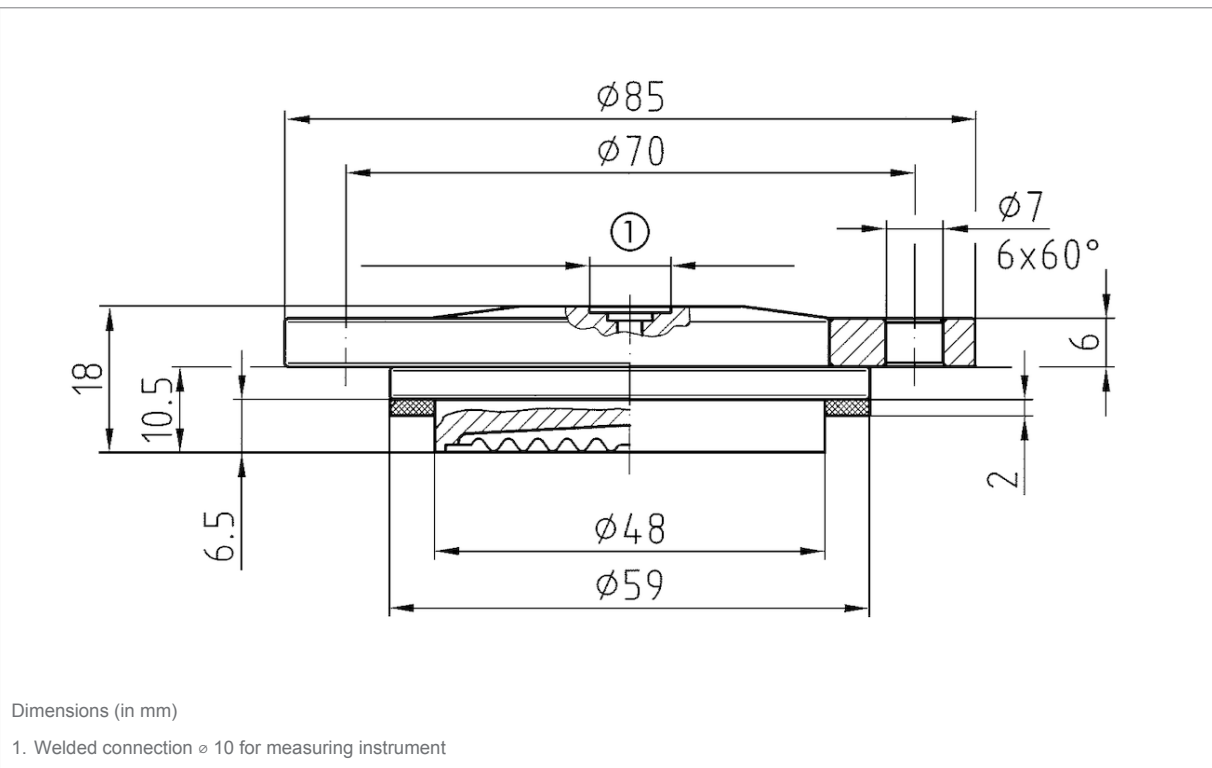
- Adapter for instrument connection G $\frac{1}{4}$ B/G $\frac{1}{2}$ B
- Cooling element (> 100 °C)
- Capillary tube

### Other

- Other filling liquids

## Detail views

### Type MD 40





## Technical drawings

### Type MD 40

