

DO NOT SCALE
IF IN DOUBT PLEASE ASK

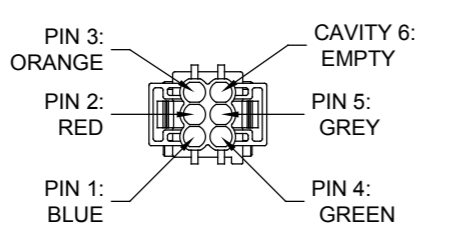
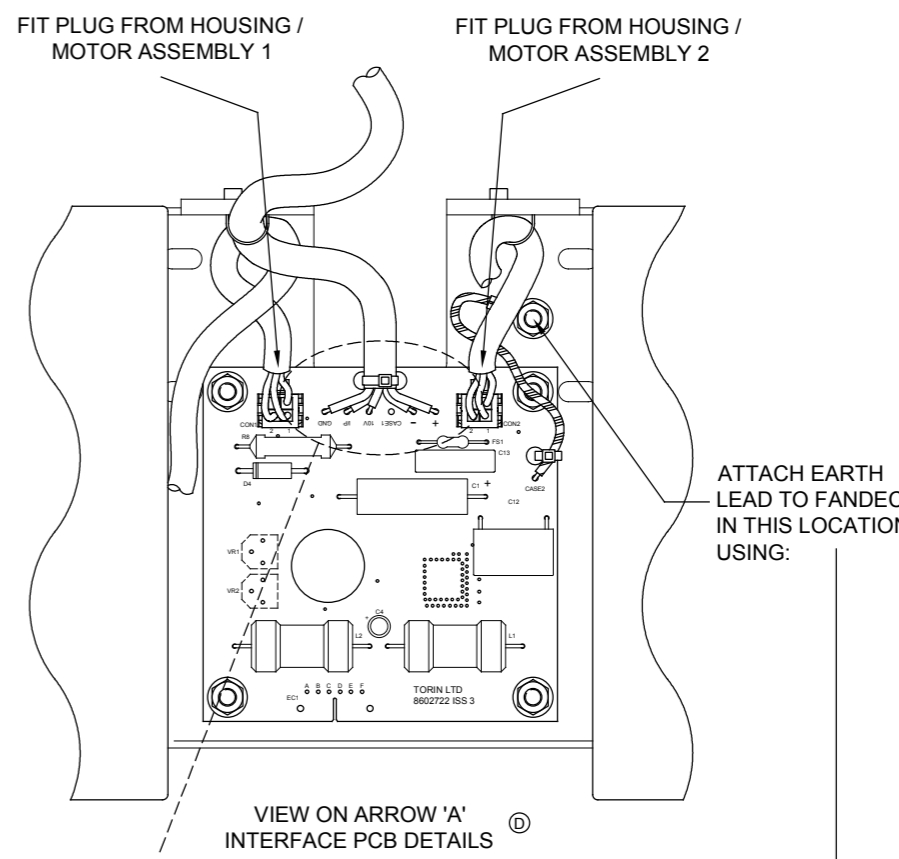
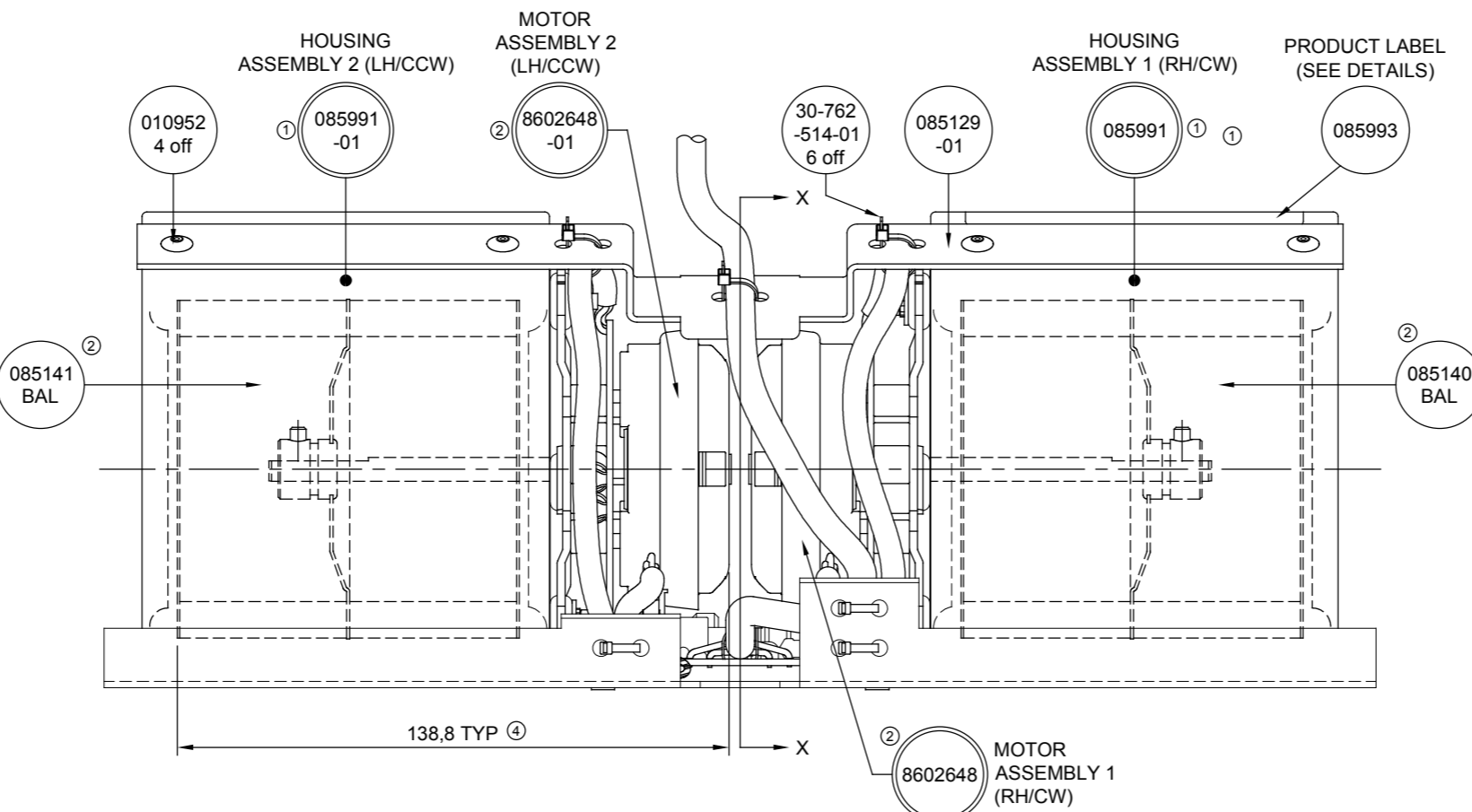
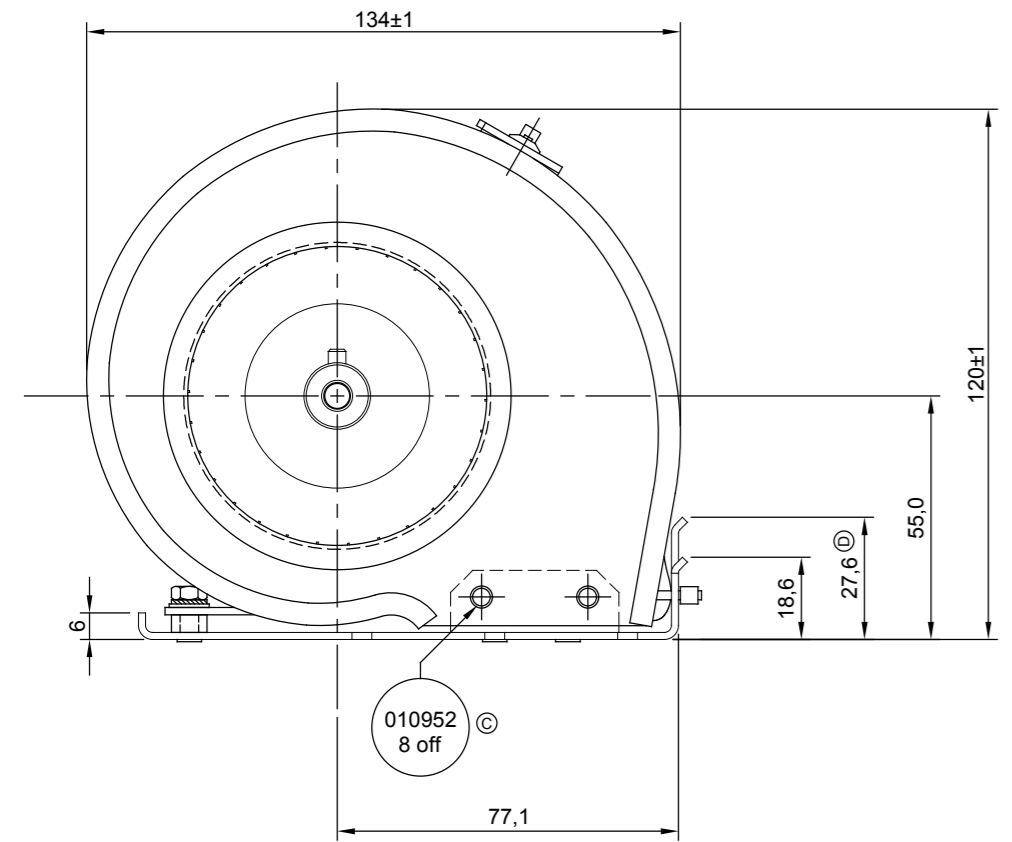
PROJECT No:- 177025
TEST SPEC No:- TS177025
PERFORMANCE GRAPH No:- G12097

ALPHA ISSUES RECORD
PRE-PRODUCTION CHANGES



A B C D E F G H I

1
2
3
4
5
6
7
8
9



VIEW ON ARROW 'Z' SHOWING TERMINAL PLACEMENT

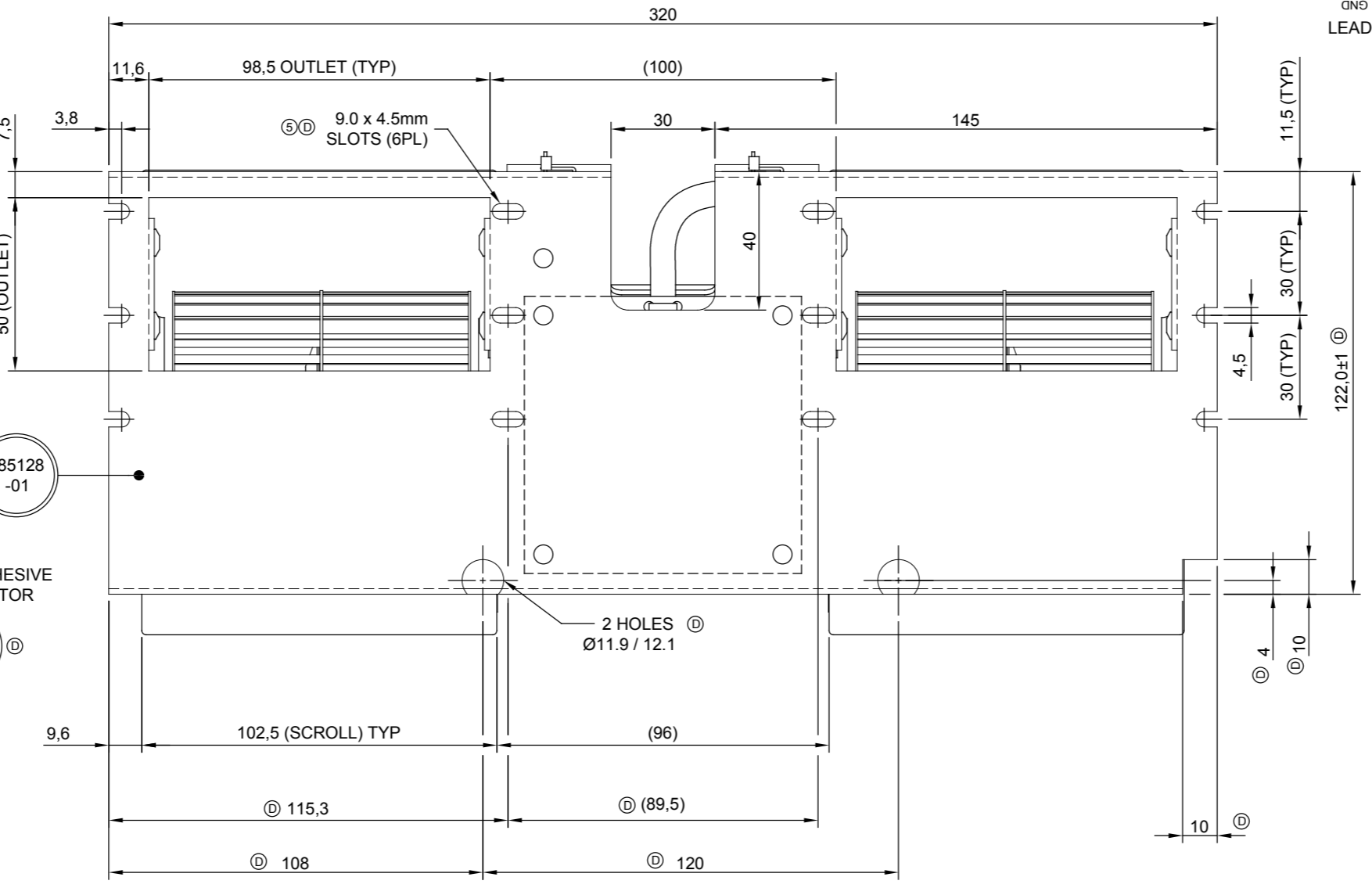
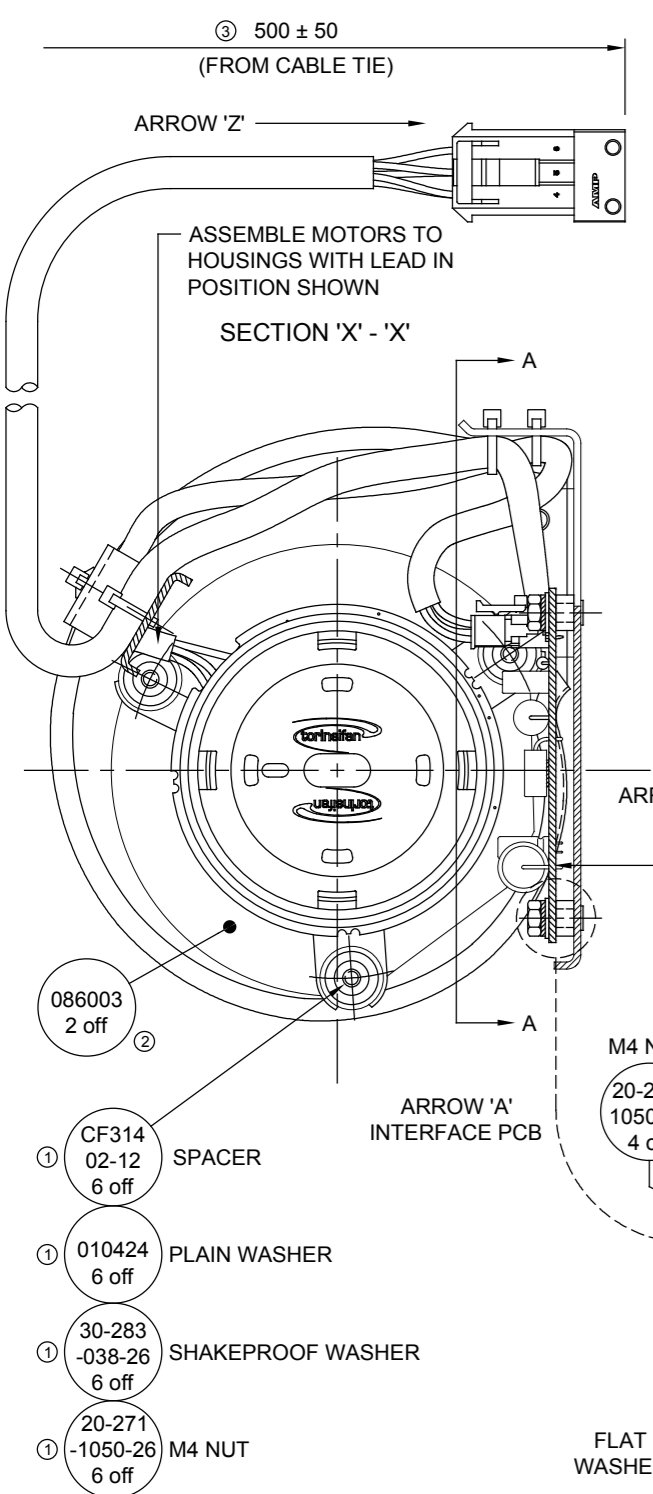
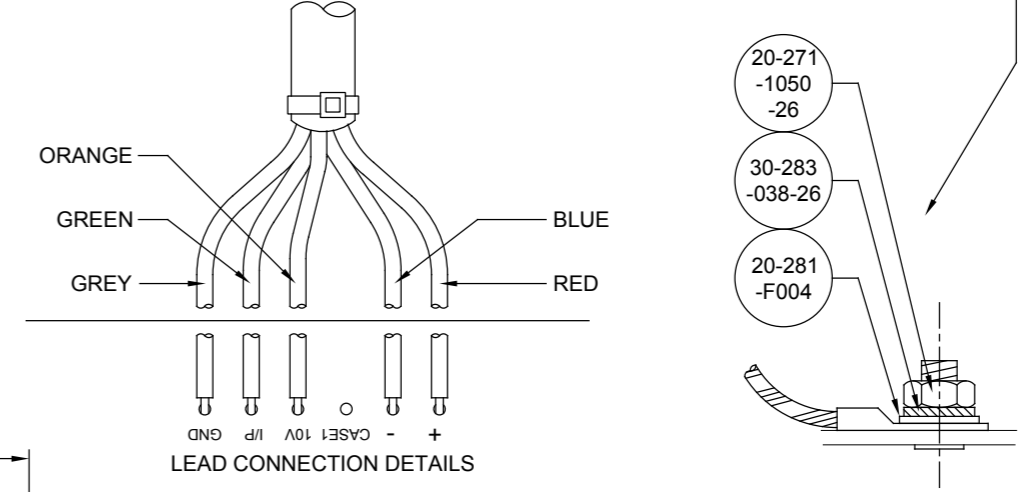
PIN	COLOUR	FUNCTION
1	BLUE	SUPPLY -VE
2	RED	SUPPLY +VE
3	ORANGE	POTENTIOMETER +
4	GREEN	POTENTIOMETER OUTPUT
5	GREY	POTENTIOMETER -
6	EMPTY	

torin-sifan
The Partner of Choice
SWINDON SN3 3JB

TORIN PART No. 177025
DPL85-86 48Vdc 150W
VOLTAGE RANGE 24 TO 56Vdc
POTENTIOMETER SPEED CONTROLLED
DATE CODE & WORKS ORDER No
SERIAL No

CE

LABEL DETAILS ②



NOTES:

- Electrical details:
Nominal supply voltage 48Vdc (24 to 56Vdc range).
Maximum operating current 3.5A
Motor has reverse polarity protection.
Consideration should be given to ESD (electrostatic discharge) guidelines when handling product.
- Motor characteristics:
Soft-start from switch-on, limiting power during start-up.
Speed is controlled via an external 10k potentiometer (3 connections, orange=POT+, grey=POT-, green=POT output).
Motor is protected against locked rotor condition with power being disengaged for a period of 1 second after which the motor will attempt to restart.
This cycle is repeated until the condition is cleared.
- Environmental parameters:
Operating temperature range -40°C to +60°C, storage temperature range -40°C to +85°C, humidity range 5% to 90% rel. humidity non-condensing.
Motor drive is moisture protected.
- General information:
Materials: fan casings and deck galvanized sheet steel, bearing housings plastic, impellers aluminium alloy, shaft stainless steel, anti-vibration mounts EPDM rubber / PVC, motor rotor plastic.
Balance: Rotor G2.5 @ 3500rpm.
Impeller G4 @ 3500rpm.
Rotor and impeller balanced separately prior to assembly.
Connections: the fan is connected via AMP Connector 1-962349-1, leads crimped with AMP Terminal 1-963748-1 and sealed with wire seal 828904-1, (empty position sealed with blanking seal 828922-1).
Maximum weight 3.0kg. Fans to be packed in individual boxes and supported to prevent damage during transit.
- All dimensions are for reference purposes only.

ISS	MODIFICATION	DATE	C/N NO.
5	9 x 4.5mm SLOT WAS 4 OFF, NOW 6 OFF, CORRECTED IN LINE WITH FANDECK DRAWING	14/12/17	20116
4	PICTORIAL CHANGE TO MOTOR MOUNTING PLATE THICKNESS	03/12/14	19442
3	MOTOR LEAD LENGTH REDUCED BY 500mm	19/09/14	19395
2	SERIAL No. ADDED TO LABEL, MOTOR/IMPELLER/INLET RING SUB-ASSEMBLIES DELETED AND REPLACED WITH COMPONENT PARTS AND ASSEMBLIES. PICTORIAL CHANGE TO CAPACITOR.	03/07/14	19298
1	ISSUED	13/01/14	19211
F	PICTORIAL CHANGES TO INTERFACE PCB	11/06/13	19081
E	PICTORIAL CHANGES TO INTERFACE PCB	22/01/13	18977
D	CHANGES MADE TO DECK AND MOTOR MOUNTING	20/09/12	18754
C	VARIOUS CHANGES	12/08/11	
B	VARIOUS CHANGES	20/06/11	EWR 2451
A	PROVISIONAL	05/01/11	EWR 2256

MATERIAL
GALVANISED STEEL WITH ALUMINIUM IMPELLERS

FINISH
NATURAL

FIRST USED ON

SIMILAR TO
077607

DIRECTORY PATH
\\ASY\DPL\85-86\177025

TITLE
ASY FANDECK
DPL85-86 48V DC

DRAWING NO.
177025

torin-sifan
The Partner of Choice
Greenbridge, Swindon, Wiltshire, UK SN3 3JB
Tel: +44 (0) 1793 524 291
Email: sales@torin-sifan.com

INFORMATION CONTAINED IN THIS DOCUMENT IS CONFIDENTIAL TO TORIN-SIFAN LIMITED AND MAY NOT BE DISCLOSED OR REPRODUCED IN WHOLE OR IN PART WITHOUT THEIR WRITTEN CONSENT.
© TORIN-SIFAN LIMITED

PRODUCT TYPE:

TECH 1: AC EC EC3

TECH 2: AC BD CP DC ECI ECR

ERP DIRECTIVE: N

Ng/EN ARTICLE: A21

PROJECTION

DRAWING GENERALLY CONFORMS TO BS 8888

ALL BS TO LATEST ISSUE

DR.	DA	CHKD	AP.
DATE	DATE	DATE	DATE
05/01/11			

DIMENSIONS IN MILLIMETRES

SCALE: N.T.S. (UNLESS OTHERWISE STATED)

A2

177025

DRAWING NO.