



# SOUTHERN CALIFORNIA HYDRAULIC ENGINEERING CORPORATION

DESIGNERS AND MANUFACTURERS OF HYDRAULIC & PNEUMATIC EQUIPMENT

1130 COLUMBIA STREET BREA, CALIFORNIA 92821

WWW.SCHYDRAULIC.COM

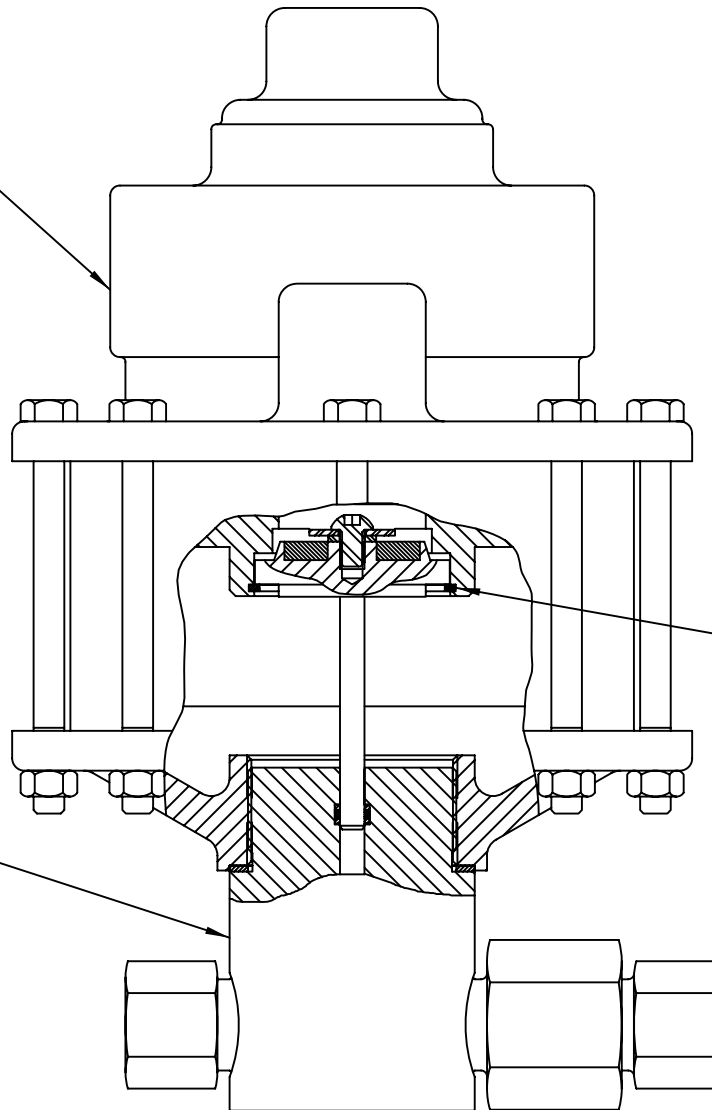
REV B 02/14/13

## NON-LUBE PUMP ASSEMBLY 10-5000W080-HF4 THRU W250-HF4

## LUBE PUMP ASSEMBLY 10-5000W080L-HF4 THRU W250L-HF4

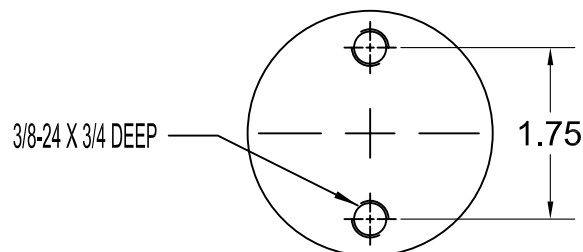
(NOTE: P/N 10-5000W080-HF4 THRU W250-HF4 WAS D5000B140-HF4 THRU B440-HF4)

AIR MOTOR ASSEMBLY  
11-5113A000 FOR LUBE PUMP  
11-5113ADL0 FOR NON - LUBE PUMP



RETAINING RING  
12-R200S000 (REF)

HYDRAULIC ASSEMBLY  
11-5026W080-HF4  
11-5026W100-HF4  
11-5026W160-HF4  
11-5026W250-HF4



MOUNTING DIMENSIONS



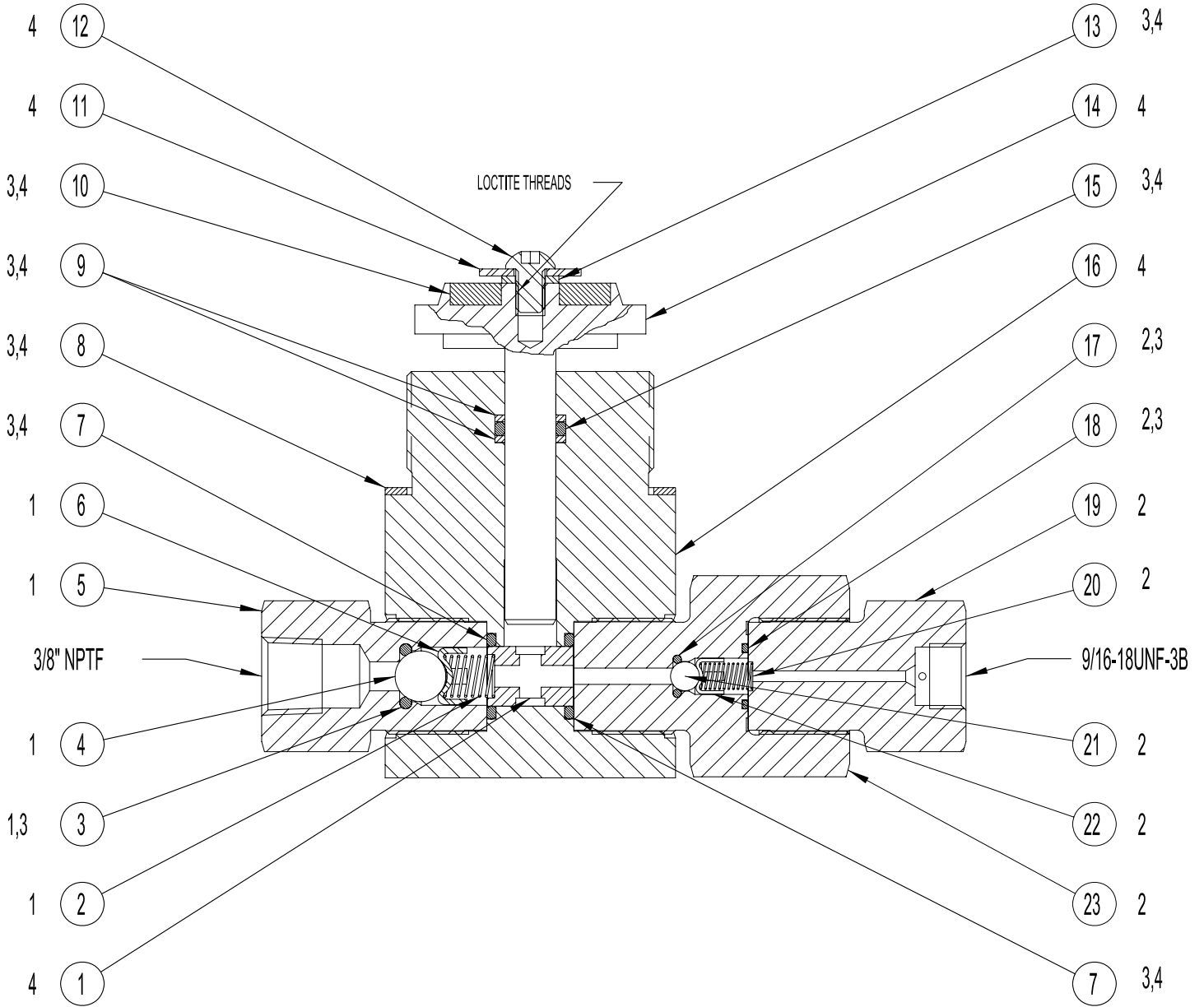
# SOUTHERN CALIFORNIA HYDRAULIC ENGINEERING CORPORATION

DESIGNERS AND MANUFACTURERS OF HYDRAULIC & PNEUMATIC EQUIPMENT

1130 COLUMBIA STREET BREA, CALIFORNIA 92821

REV A 07/17/07

## HYDRAULIC ASSEMBLY 11-5026W080-HF4 THRU W250-HF4



4 INCLUDED IN 11-5027WXXX\* PISTON & CYLINDER ASSEMBLY

\* XXX REPRESENTS PUMP ASSEMBLY MODEL NUMBER

3 INCLUDED IN 11-5148NXXX-HF4 HYDRAULIC REPAIR KIT

2 INCLUDED IN 11-6118S000 OUTLET CHECK VALVE ASSEMBLY

1 INCLUDED IN 11-5029S000 INLET CHECK VALVE ASSEMBLY



# SOUTHERN CALIFORNIA HYDRAULIC ENGINEERING CORPORATION

DESIGNERS AND MANUFACTURERS OF HYDRAULIC & PNEUMATIC EQUIPMENT

1130 COLUMBIA STREET BREA, CALIFORNIA 92821

## BILL OF MATERIALS: 10-450-026

DRAWING NUMBER & DESCRIPTION: 11-5026W080-HF4 THRU W250-HF4 HYDRAULIC ASSY.

REVISION:A 7/17/2007

ITEM	QTY	PART NO.	DESCRIPTION	W080 (140:1)	W100 (195:1)	W160 (280:1)	W250 (440:1)	REFERENCE NO
1	1	11-5007S407	RETAINER	X	X	X	X	10-407-7
2	1	11-5014S000	SPRING	X	X	X	X	10-450-14
3	1	P11003-110	O-RING	X	X	X	X	12-6227N008S
4	1	12-0440S437	CHECK BALL	X	X	X	X	
5	1	11-5021S000	FITTING-INLET	X	X	X	X	10-450-21
6	1	11-5034S001	BALL GUIDE	X	X	X	X	10-450-34-1
7	2	P11000-113	O-RING	X	X	X	X	12-6227N011
8	1	11-5028N000	GASKET	X	X	X	X	10-450-28
9	2	P11227-111	BACK-UP	X				12-8774T009
9	2	P11227-110	BACK-UP		X			12-8774T008
9	2	P11227-011	BACK-UP			X		12-8774T006
9	2	P11227-010	BACK-UP				X	12-8774T005
10	1	11-5051P000	PISTON BUMPER	X	X	X	X	10-450-51
11	1	12-25N87WF1Z	FENDER WASHER	X	X	X	X	
12	1	12-25F37SBC45Z	BUT.HD.CAP SCREW	X	X	X	X	
13	1	P10212-025	HEL.SPRING LOCK WASHER	X	X	X	X	12-5001C407
14	1	11-5010S080	HYDRAULIC PISTON	X				10-450-10-8
14	1	11-5010S100	HYDRAULIC PISTON		X			10-450-10-10
14	1	11-5010S160	HYDRAULIC PISTON			X		10-450-10-16
14	1	11-5010S250	HYDRAULIC PISTON				X	10-450-10-25
15	1	P11000-111	O-RING	X				12-6227N009
15	1	P11000-110	O-RING		X			12-6227N008
15	1	P11000-011	O-RING			X		12-6227N006
15	1	P11000-010	O-RING				X	12-6227N005
16	1	11-5011B080	HYDRAULIC CYLINDER	X				10-450-11-8
16	1	11-5011B100	HYDRAULIC CYLINDER		X			10-450-11-10
16	1	11-5011B160	HYDRAULIC CYLINDER			X		10-450-11-16
16	1	11-5011B250	HYDRAULIC CYLINDER				X	10-450-11-25
17	1	P11000-010	O-RING	X	X	X	X	12-6227N005
18	1	P11000-013	O-RING	X	X	X	X	12-8775N013
19	1	11-6117S000	ADAPTER	X	X	X	X	10-550-117
20	1	11-6016S000	SPRING	X	X	X	X	10-550-16
21	1	12-0440S250	CHECK BALL	X	X	X	X	
22	1	11-6015S000	BALL GUIDE	X	X	X	X	10-550-15
23	1	11-6116S000	FITTING-OUTLET	X	X	X	X	10-550-116

WHERE USED: 10-5000W080-HF4\_W250-HF4, 10-5000W080L-HF4\_W250L-HF4  
10-500KW080-HF4\_W250-HF4, 10-500KW080L-HF4\_W250L-HF4