

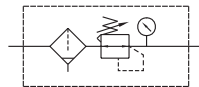
# MAFR401 series

AIR UNIT (F.R.UNIT)



Option: **MP41**

## Symbol



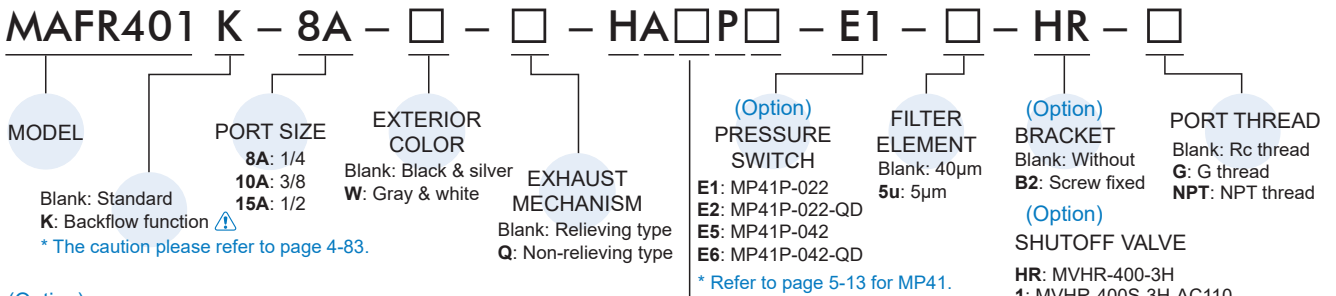
## Specification

Model	MAFR401		
Bore No.	8A	10A	15A
Port size	1/4	3/8	1/2
Medium	Air		
Operating pressure range (*)	0.05~1.5 MPa		
Proof pressure	2 MPa		
Regulated pressure range	Standard type: 0.1~0.85 MPa		
	High pressure type: 0.1~1.5 MPa		
Ambient temperature	- 5~+60°C (No freezing)		
Filter element	Standard: 40µm, Option: 5µm		
Drain capacity	70 cm <sup>3</sup>		
Attachment	Pressure gauge (PG-20)		
Weight	800 g		

\* Standard unit contains semi-auto-drain function when operating pressure below 0.05 MPa.

\* Choose auto-drain FMRF300, the pressure range is 0.15~1 MPa.

## Order example



(Option)

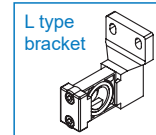
Type	Pressure gauge	Drain valve	Pressure switch	Flow direction
Blank: Standard type	Blank: Pressure gauge (PG-20) <b>C</b> : External pressure gauge (PG-40) + Gauge adapter set (A-MAR401) <b>A</b> : Gauge adapter set (A-MAR401)	Blank: Semi-auto drain <b>D</b> : Auto drain valve (FMRF300)	<b>P</b> : Pressure switch (MPS series)	Blank: Left to right <b>R</b> : Right to left
<b>H</b> : High pressure type	<b>C</b> : External pressure gauge (PG-40) + Gauge adapter set (A-MAR401) <b>A</b> : Gauge adapter set (A-MAR401)	Blank: Semi-auto drain	-	

\* Standard type regulator can not release the outlet pressure completely, even if inlet pressure was cut off, and the backflow function (K) must be applied to completely remove the residual pressure.

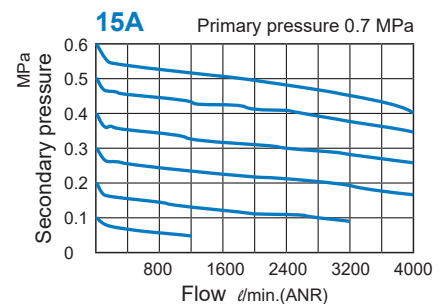
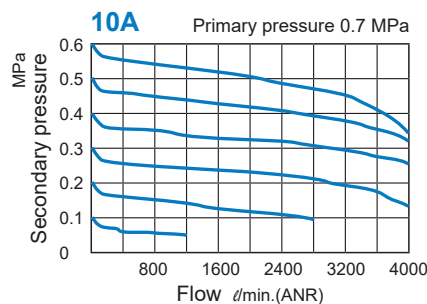
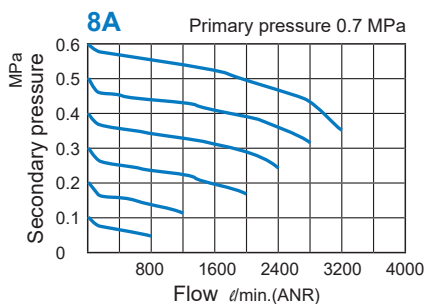
\* The (Q) non-relieving type regulator is used. When the output pressure is higher than the set pressure, the output pressure will not flow out through the exhaust hole.

\* PG-40 (C), A-MAR302 (A) and MP41 (E\*) can not be selected at the same time.  
\* Specification (W) gauge adapter set (A-MAR302).

\* There is no pressure gauge in option (A), please purchase if necessary.



## Flow feature

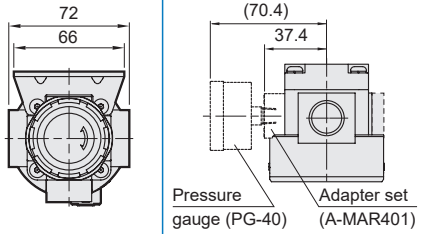


# MAFR401 / MAFR401-HR Dimensions



**AIR UNIT (F.R.UNIT)**

## Accessories

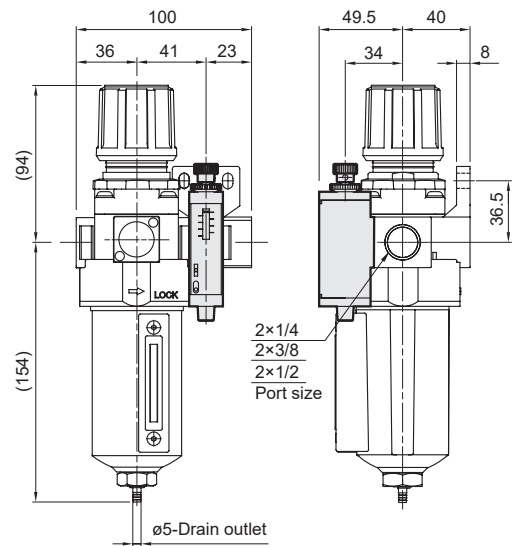
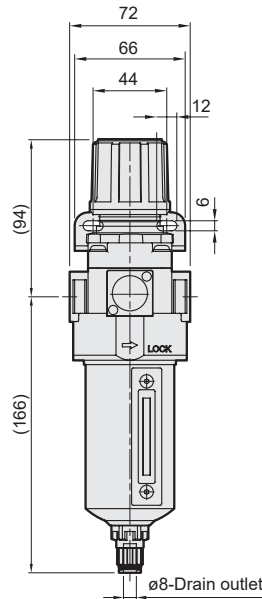
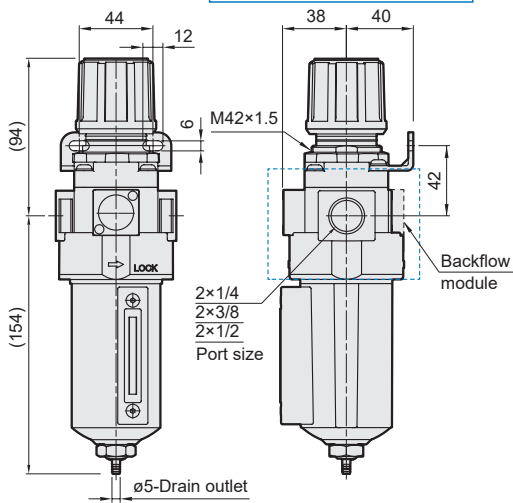


### MAFR401-D

Auto drain valve

### MAFR401-P

MPS Series  
pneumatic pressure switch



### MAFR401-HR

With shutoff valve (MVHR-400)

### MAFR401-1\*/2\*/4\*

With shutoff valve (MVHR-400S)

#### Panel mounting hole

