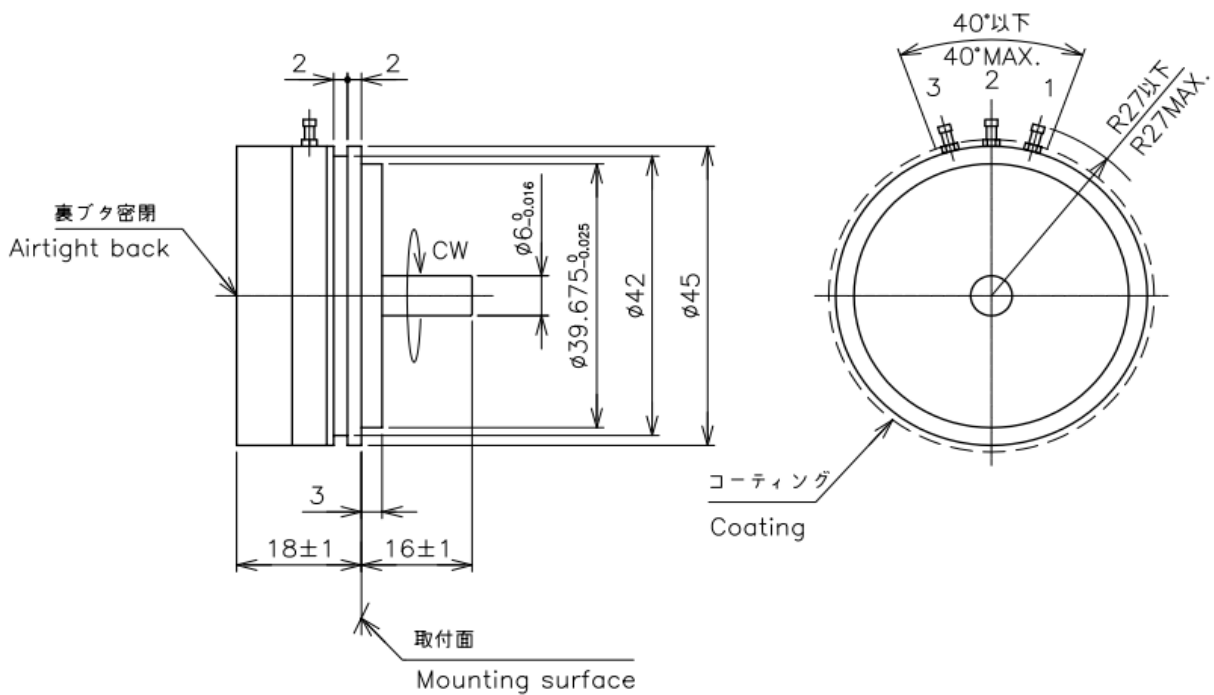


CPP-45 Series - CPP-45SB

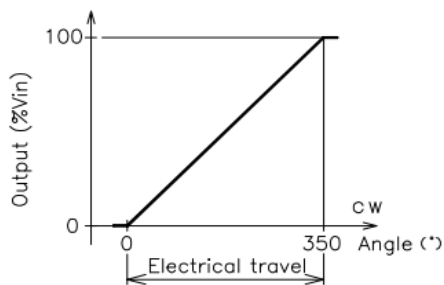


- Conductive Plastic Angle Sensor
- Effective Electrical Travel : 350°
- Independent Linearity : $\pm 0.3\%$
- Servo Mount
- IP54
- 【Options】
- Independent Linearity : $\pm 0.1\%$
- Multi Ganging : More than 3 sections, please contact us.
- Additional Taps : Up to 8 taps
 - For Output : Type (A) ... No shorted angle
 - For Input : Type (B) ... 1~5°shorted on Tap
- Additional Center Tap :
 - C.T(A) ... No shorted angle
 - C.T(B) ... Shorted on Tap (Shorted angle 1~5°)
- 【Material】
- Housing : Aluminum
- Shaft : Stainless Steel
- Bearing : Stainless steel

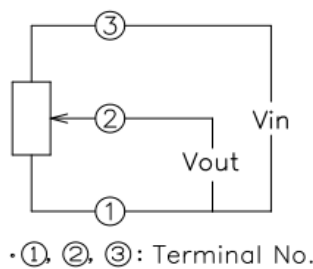
Dimension [mm]



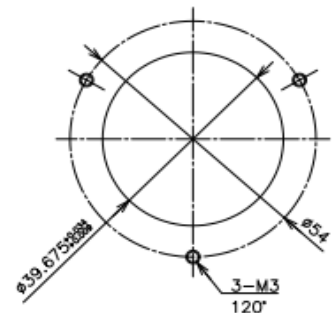
Output Characteristics



Schematic



Mounting



Servo Mount

【Model No.】	CPP-45SB
--------------------	-----------------

【Electrical Data】

Effective Electrical Travel	350 +2, -3	°
Total Resistance	0.5, 1, 2, 5, 10, 20	kΩ
Total Resistance Tolerance	±15	%
Independent Linearity	±0.3	%
Power Rating	3/70°C	W
Output Smoothness	MAX. 0.1	%
Insulation Resistance	MIN. 100/DC1000V	MΩ
Dielectric Strength	AC1000/1min.	V
Temperature Coefficient Of Resistance	±400	ppm/K

【Mechanical Data】

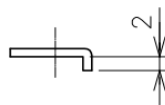
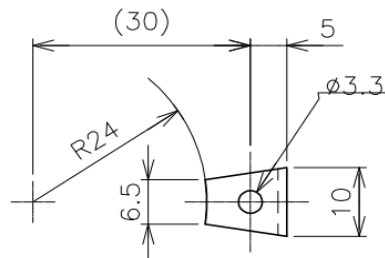
Total Mechanical Travel	360 Endless	°
Torque	MAX. 15	mN·m
Thrust Load Tolerance	3	N
Radial Load Tolerance	9	N
Mass	60 Approx.(+10g/+one section)	g

【Environmental Data】

Life	10 Million	cycle
Category Temperature Range	-30~+90	°C
Storage Temperature Range	-30~+90	°C
Vibration	150m/s ² 2000Hz 3axis 2hours each	
Shock	500m/s ² 11ms 6axis 3times	
IP Rating	IP54	

■ Accessories

Mounting Cleats : 3 pieces



t=1.2

■ Handling Instruction

- To avoid burnout of resistive element, do not supply more than 1mA current to terminal 2.