

10733

REF. NO:

REVISION

C.O.N	SYM	DESCRIPTION	DATE	DRAWN	APPRD
	A	1) $\pm 0.5\%$, $\pm 0.2\%$ ADDED. (2) WAS 2 WATTS@70°C.	8/20/04	TSUGAWA	

GENERAL:

MODEL CP-3FB IS $\phi 36.5\text{mm}$ (1.44") CASE, $\phi 6\text{mm}$ (0.236) SHAFT, PANEL MOUNT TYPE, PRECISION CONDUCTIVE PLASTIC POTENTIOMETER. ITS SUPERB QUALITY, RELIABILITY AND PERFORMANCE MAKE CP-3FB SUITABLE FOR PRECISION POSITION SENSING APPLICATIONS.

ELECTRICAL SPECIFICATIONS:

ELECTRICAL ANGLE: 340°
 TOTAL RESISTANCE: 0.5, 1, 2, 5, 10K OHMS
 TOTAL RESISTANCE TOLERANCE: $\pm 20\%$
 LINEARITY (INDEPENDENT): $\pm 1\%$ ($\pm 0.5\%$, $\pm 0.2\%$, $\pm 0.15\%$ AVAILABLE) [Ⓐ]
 REPEATABILITY: 0.003%
 POWER RATING: [Ⓒ] 1.5 WATTS@70°C.
 INSULATION RESISTANCE: 100 meg OHMS MIN. @ 1,000 Vdc
 DIELECTRIC STRENGTH: 1,000 Vrms @ 50/60 Hz, for 1 MINUTE

MECHANICAL SPECIFICATIONS:

MECHANICAL ANGLE: 360°
 TORQUE: 14 g-cm MAX. (0.2 oz-in MAX.)
 WEIGHT: APPROX. 40 g (1.4 oz)
 LIFE: 10 MILLION CYCLES MIN.

ENVIRONMENTAL SPECIFICATIONS:

OPERATING TEMPERATURE: -40°C to +120°C
 VIBRATIONS: 15 Gs, 2,000 Hz
 SHOCK: 50Gs, 11 ms

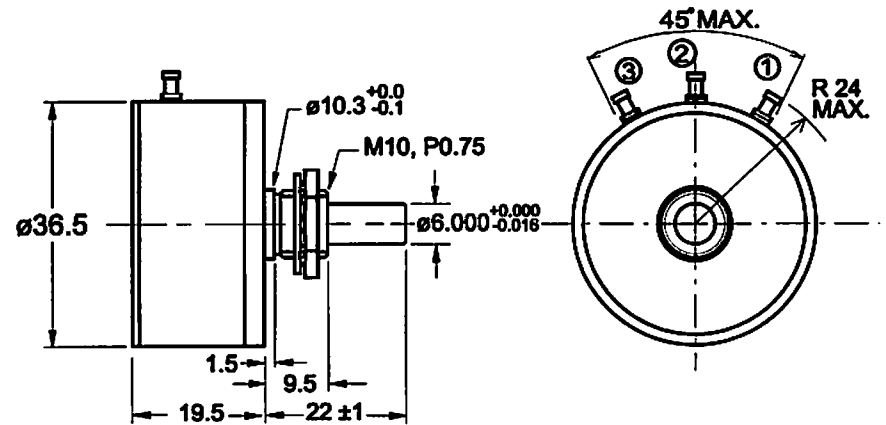


FIGURE 1 OUTLINE DIMENSION

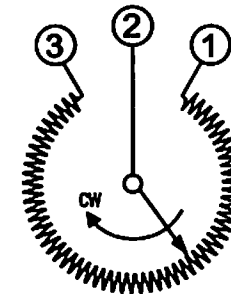


FIGURE 2 WIRING DIAGRAM

UNLESS OTHERWISE SPECIFIED, DIMENSIONS ARE IN mm(in).
 TOLERANCES:
 ANGLES $\pm 1.5^\circ$
 <10 mm: ± 0.25
 <100 mm: ± 0.5
 >100 mm: ± 1

DRAWN	T.TSUGAWA	DATE	3/21/97
CHECKED		DATE	
APPROVED		DATE	
APPROVED		DATE	
SCALE:			

SPECIFICATION DWG
 FOR
 MODEL CP-3FB
 POTENTIOMETER

FILE: CP-3FB

Midori America Corporation
 FULLERTON, CA

A-MAC-C04 A

1 OF 1