



## Elastic Inlays (EE)

### Application:

- Padding of cables (for outer cable diameters  $\geq 60$  mm) for elastic compression of diameter variations to avoid damaging of cables caused by changes of load and ambient temperature
- Precise cable fixation and absorption of weight forces, primarily on cables installed along inclines or attached to vertical surfaces where restraint of axial movement is essential
- Compensation of vibrations, e.g. in wind turbines, without reducing retention forces
- Expansion of the Clamp's clamping area, for cables with a smaller outer diameter
- To assist with mounting, Cable Clamps can be supplied with the Elastic Inlays cut to size and fixed in our factory (ONLY K, KT, KS, KP)

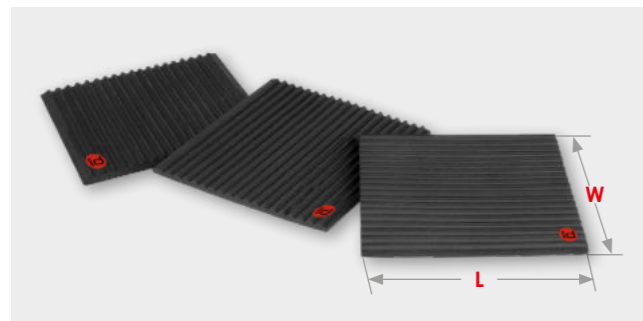
### Material:

EPDM, one-side ribbed black

### Properties of elastic inlays:

- Suitable for outdoor or indoor use on cable installations where ambient temperatures may range from  $-60^{\circ}\text{C}$  to  $+120^{\circ}\text{C}$
- The elastic inlays are highly flexible due to their unilateral convex shaping (groove structure)
- The inlay elasticity absorbs vibrations and moderates vibration transfer to the cables
- Inlay elasticity is retained to temperatures as low as  $-60^{\circ}\text{C}$
- The physical characteristics of elastic inlays resist changes despite exposure to changing pressure and temperature conditions; this provides decades of continuous functionality
- Highly resistant to UV, ozone and salt spray conditions
- Excellent chemical resistance
- Recyclable

### Delivery in pieces



Dimensions: 150 mm (W) x 140 mm (L)  
100 mm (W) x 100 mm (L)

### Delivery in rolls

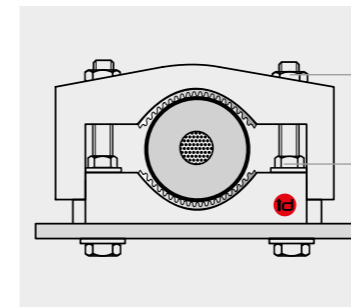


Dimensions: 150 mm (W) x 4.2 m (L)  
100 mm (W) x 3 m (L)

Elastic Inlay 150 mm x 140 mm for KR 130/160, KR 160/200, KR 200/250, KH 115/140 and KH 138/165  
Elastic Inlay 100 mm x 100 mm for all other Cable Clamps

## ELASTIC INLAYS MOUNTING EXAMPLES

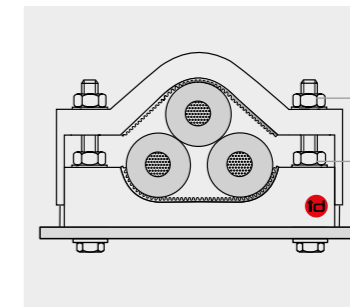
The Elastic Inlays must ONLY be inserted into the id-Technik Clamps, not fixed, with the ribs running parallel to the cable lengthways. The guarantee expires immediately if Elastic Inlays are fixed on site.



Tightening Torque: 5 Nm

Tightening Torque: 20 Nm

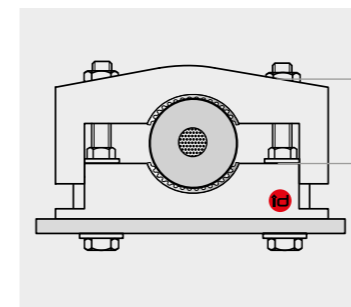
◀ Series K with two Elastic Inlays



Tightening Torque: 5 Nm\*

Tightening Torque: 15 Nm

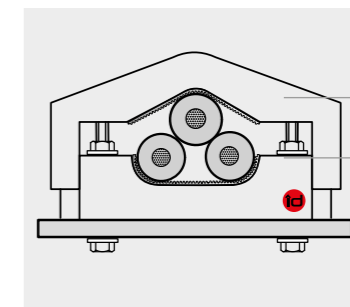
◀ Series KS with Elastic Inlays



Tightening Torque: 5 Nm

Tightening Torque: 20 Nm

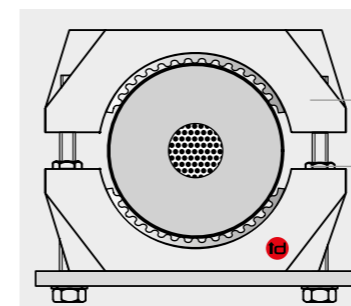
◀ Series KT with two Elastic Inlays



Tightening Torque: 8 Nm

Tightening Torque: 15 Nm

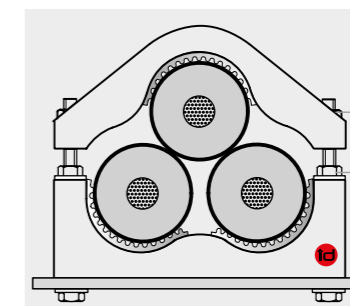
◀ Series KP with Elastic Inlays



Tightening Torque: 8 Nm

Tightening Torque: 20 Nm

◀ Series KR with two Elastic Inlays



Tightening Torque: 8 Nm

Tightening Torque: 15 Nm

◀ Series KH with three Elastic Inlays

### Legal compliance

- Directive 2002/95/EC (RoHS)
- Regulation (EC) No. 1907/2006 (REACH regulation)

\* For more information please contact id-Technik.