

# Economy Type Electromagnetic Counter

## AC-NH SERIES

High quality and low cost with simple mechanism

- No screw structure is built to withstand long use.
- Coil doesn't burn out for wrong use because overheat prevention circuit for reset magnet provides. (Only for AC-NHBA4, AC-NHBA6, AC100V, AC200V)
- Guard for misreset provides.
- Surge absorber circuit provides. (For 100VAC, 200VAC)
- Mousing is one-touch type without screw.



4 digits type

6 digits type

### Model No.

Model No.	AC-NHB4			AC-NHBA4		
Power source	100VAC	200VAC	24VDC	100VAC	200VAC	24VDC

Model No.	AC-NHBR4*			AC-NHB6		
Power source	100VAC	200VAC	24VDC	100VAC	200VAC	24VDC

Model No.	AC-NHBA6		
Power source	100VAC	200VAC	24VDC

\* This model provides automatic reset circuit. Output executes and it is automatically reset when counting value reaches preset value.

### Specifications

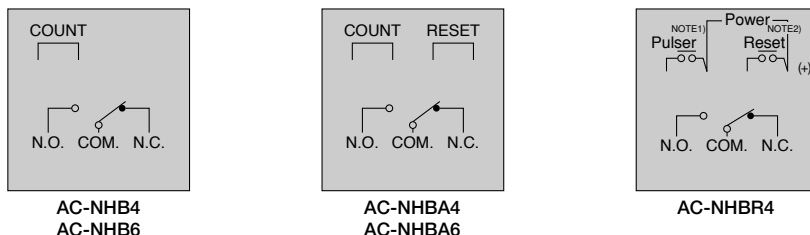
Type	Increment type preset				
Model No.	AC-NHB4	AC-NHB6	AC-NHBA4	AC-NHBA6	AC-NHBR4
Power source	DC power: 24VDC, AC power: 100VAC, 200VAC(50/60Hz)				
Allowable fluctuation rate	-10 to +10%				
Allowable ripple rate	48% or less(for DC power)				
Counting	1/2 counting when power-ON, 1/2 counting when power-OFF*1				
Numbers of digit	4	6	4	6	4
Counting speed	10Hz Both ON time and OFF time: 50ms(Min.)				
Rating of conducting time	Continuous conducting				
Power consumption	3.6W(For DC power), 5VA(For AC power)				
Life	0.1 billion count				
Counting indication	White on black frosted(3.8mm×2.6mm) <sup>Note)</sup>				
Control output	1C relay(Microswitch)				1C relaya
Contact rating*1	AC250V 5A(Resistance load)				AC250V 3A (Resistance load)
Operating	Operating when preset value and returning by reset				Single-shot operating for 0.3sec when preset value and then, returning automatically
Life	0.5 million times(When rating load)				0.2 million times (When rating load)
Reset	Manual		Electro-magnetic/manual		Automatic/manual*3
Manual reset	By pushing button				
Electro-magnetic reset	Rating of conducting time: short-time rating, Max. conducting time 60sec [Coil overheat prevention circuit provides for 100VAC and 200VAC] Min. conducting time: 0.3sec(Recommended conducting time: 0.5 to 1sec) Conducting rate: 5% or less (Interval between resets is 20 times or more of conducting time) Min.reset interval: 20sec(Min. reset interval between resets) Interval time: 0.2sec(Time from reset to next reset) Power consumption: 16W or less(for DC power), 25VA or less(for AC power)				_____
Automatic reset	_____				Automatic reset when preset value
Reset life	1 million times				0.2 million times

<b>Connection</b>	M3 screw terminal(With self-up washer)		
<b>Ambient temperature/humidity</b>	-5 to +40°C, 85%RH or less(Not icing)		
<b>Mounting</b>	Panel mounting		
<b>Case material/color</b>	Case: ABS resin, Dust-proof cover: Polycarbonate, Munsell N-7(Light gray)		
<b>Weight</b>	260g	290g	320g

- \* 1. AC-NHBR4 type counts by short-circuit between counting terminals. In case that, don't input the voltage between counting terminals.
- \* 2. Contact capacity to open/close depends on load. (Ex: Inductive load 250VAC 4A, Motor load 250VAC 0.7A) Min. applicable load: Min.power 0.8W(W/less), Min. voltage: 6V.
- \* 3. Reset can be made by external signal. (Reset by short-circuit between reset terminals. Don't input the voltage between reset terminals in this case. Note) 6 digits type(AC-NHB6, NHBA6) is 3.4mm×2.4mm.

## ■ Connection

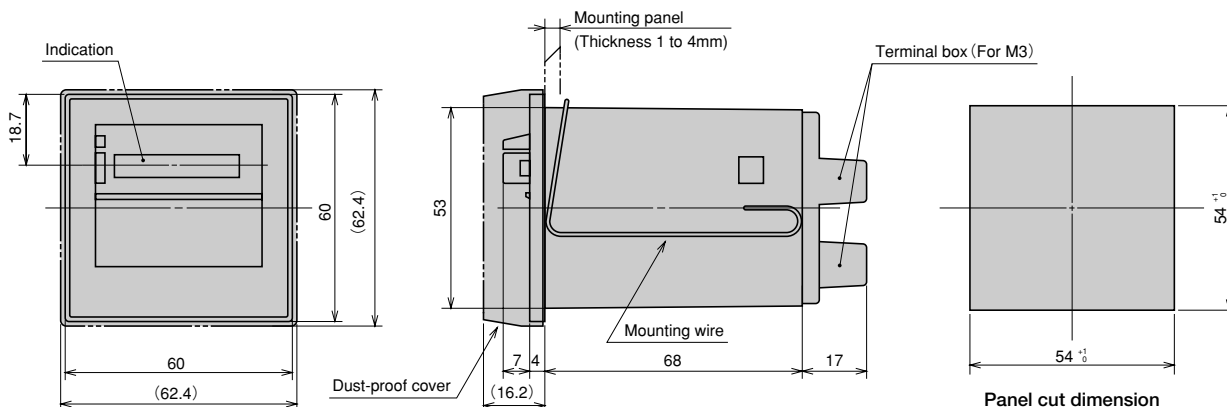
### [Terminal arrangement]



Note 1) It counts when contact input is changed from OFF to ON( Don't input the voltage between ① and ② in this case.)  
 Note 2) It reset when contact input is ON(Don't input the voltage between ⑥ and ⑦).

**Caution** Use round solderless terminal for M3 when connection.

## ■ External dimensions



## ■ Caution

### [Handling, maintenance]

- Make sure not to push reset button during counting.
- Make a opening/closing of front cover for preset under pushing reset button completely.(Refer to AC-NS series about how to prevent or caustic soda.
- Wipe with a neutral detergent when dirty. Don't use organic solvent.
- Don't take the counter apart or add oil.