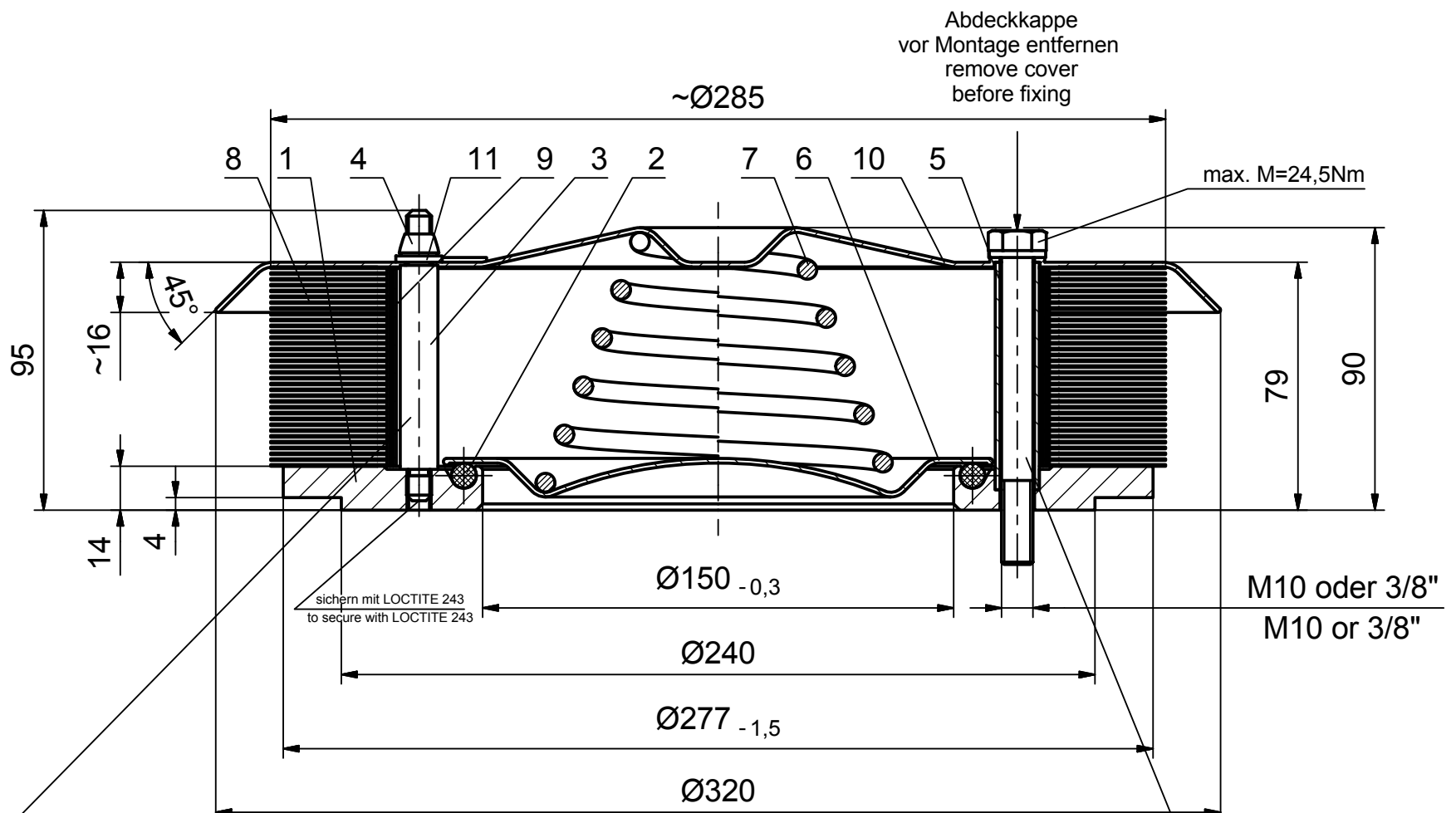


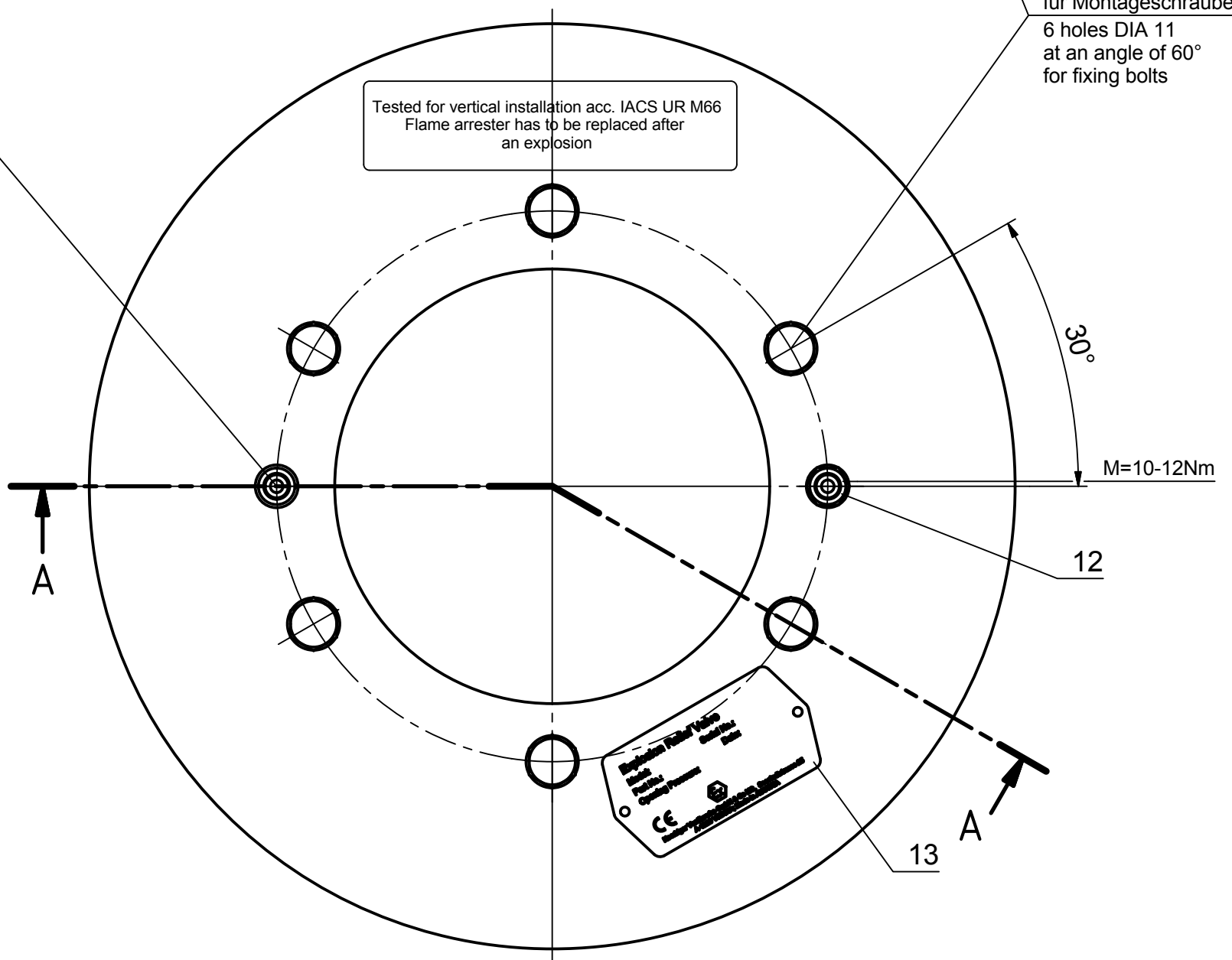
A-A (1 : 2)



2 Halteschrauben M8
um 180° versetzt
2 assembly bolts M8
at an angle of 180°

6 Bohrungen Ø11
um 60° versetzt
für Montageschrauben
6 holes DIA 11
at an angle of 60°
for fixing bolts

Tested for vertical installation acc. IACS UR M66
Flame arrester has to be replaced after
an explosion



We reserve all rights for this drawing.
This drawing may not be copied or made
accessible to third parties without our prior consent.

freier Sitzquerschnitt.....177,0cm²
Öffnungsdruck.....0,05-0,1bar

free seat area.....177,0cm²
opening pressure.....0,05-0,1bar

ACHTUNG:
Anderungen nur nach schriftlicher
Genehmigung durch PM-EV.

ATTENTION:
All changes must be approved by
PM-EV in a written form.

		Revision	Date	Sign
		© 19523 10.10.2017 / RMI	09.09.2008	KJO
		Checked by	10.10.2017	RMI
Passage Area cm ² (sq.in) 310		Valve Lift mm (in) 61	Description Entlastungsventil 162EVO Explosion relief valve 162EVO	
Clearance Volume cm ³ (cu.in) Suction Discharge		Weight 10,50 kg	No.: 1429215	Scale 1:2 Sheet No. 1