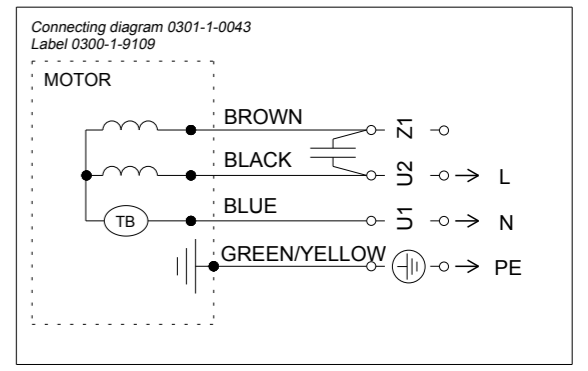
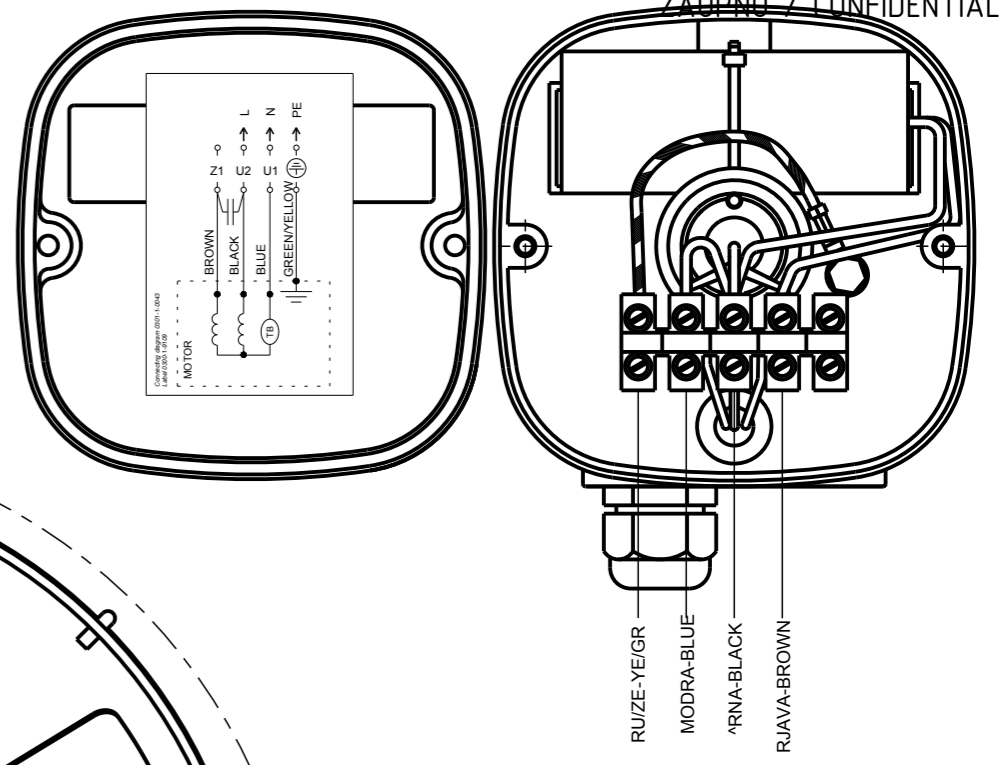
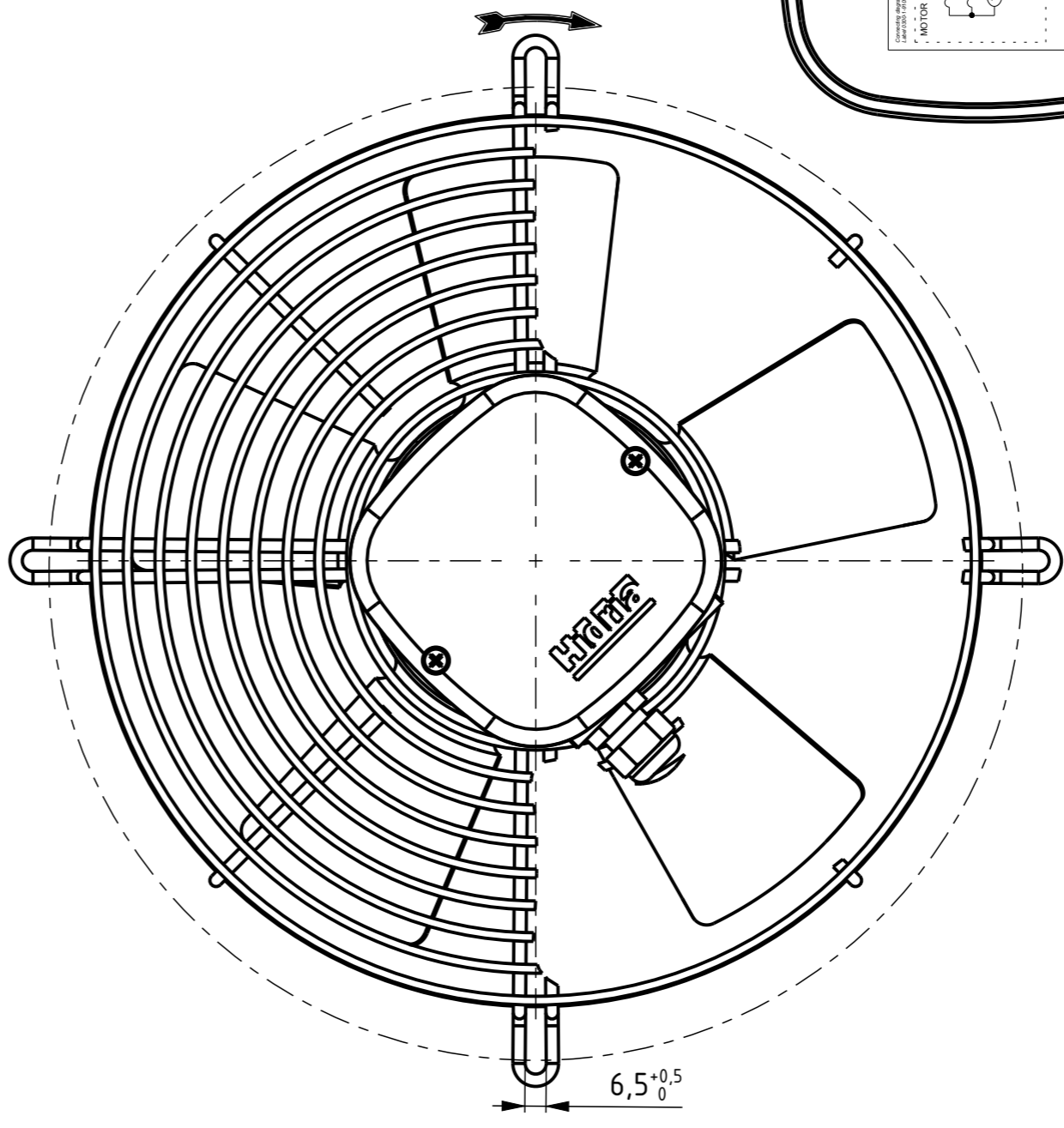
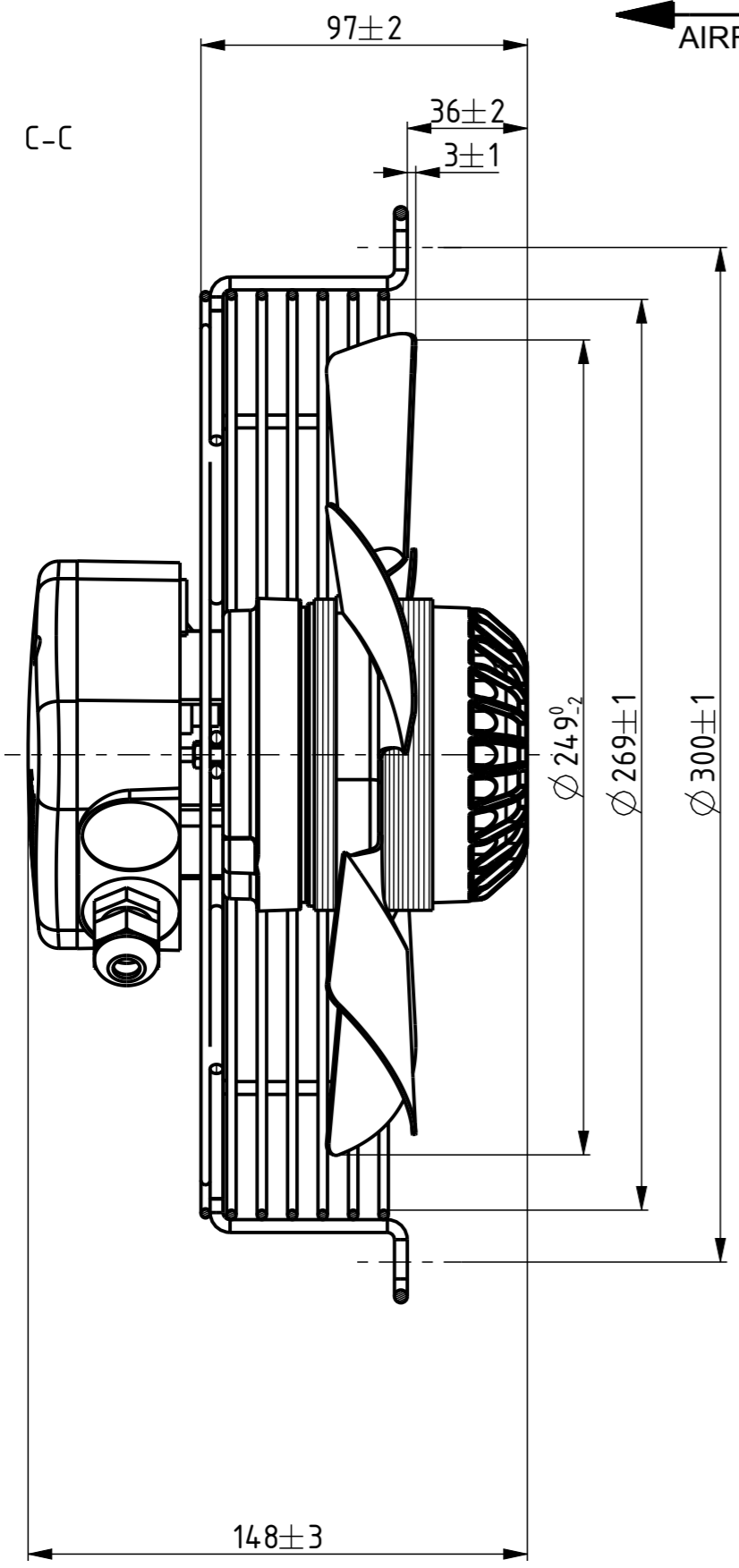


All drawings, regardless of form, are owned by Hidria Rotomatika d.o.o. and are strictly confidential and present copyright. Intellectual Property Rights as follows rights under the laws of patents, petty patents, design patents and registered designs, copyrights, trade secret rights, and similar exclusive rights in industrial property connected with the drawings are reserved by Hidria Rotomatika d.o.o.. Disclosure to any third party is strictly forbidden.

SUCKING
 AIRFLOW DIRECTION
 SMER ZRAKA



Navodilo za kontrolo ventilatorja 0301-1-4956
 Checking instructions 0301-1-4956

HTM MADE IN SLOVENIA **CE** **RU** **US**
 (E250222) DATE

R09R-2525A-2M-3551
 1~230V 50/60Hz 0,60/0,65A 116/145W
 2685/3015RPM INS.CL.F AO IP44 C=2µF/450V
 TH.PROT. ROT. 0309-4-0509

AA	AA	Prva izdaja Risba v Windchillu je skladna z risbo v arhivu.	14.3.2017	Mlakar T.
Verzija Artikla:	Verzija risbe:	Opis spremembe:	Datum:	Izdelal:
Article revision:	DRW Revision:	Description of change:	Date:	Produced:
	DATUM/DATE	IME / NAME	NAZIV:	
KONSTRUIRAL / DRN:	14.03.2017	Tomaž Mlakar 2	VENTILATOR	
ODOBRIL / APP:			R09R-2525A-2M-3551	
			KODA:	VERZIJA ARTIKLA:
			0309-4-0509	AA
			0309-4-0509	AA
				1/1



KODA MATERIALA MATERIAL CODE
 MASA: MASS:
 NETOL. MERE/UNTOL DIM ISO 2768-m
 MERILO/FORMAT 1:2/A3

KODA: CODE: 0309-4-0509

VERZIJA ARTIKLA: REVISION ARTICLE: AA
 VERZIJA RISBE: DRW REVISION: AA
 LIST/SHEET: 1/1