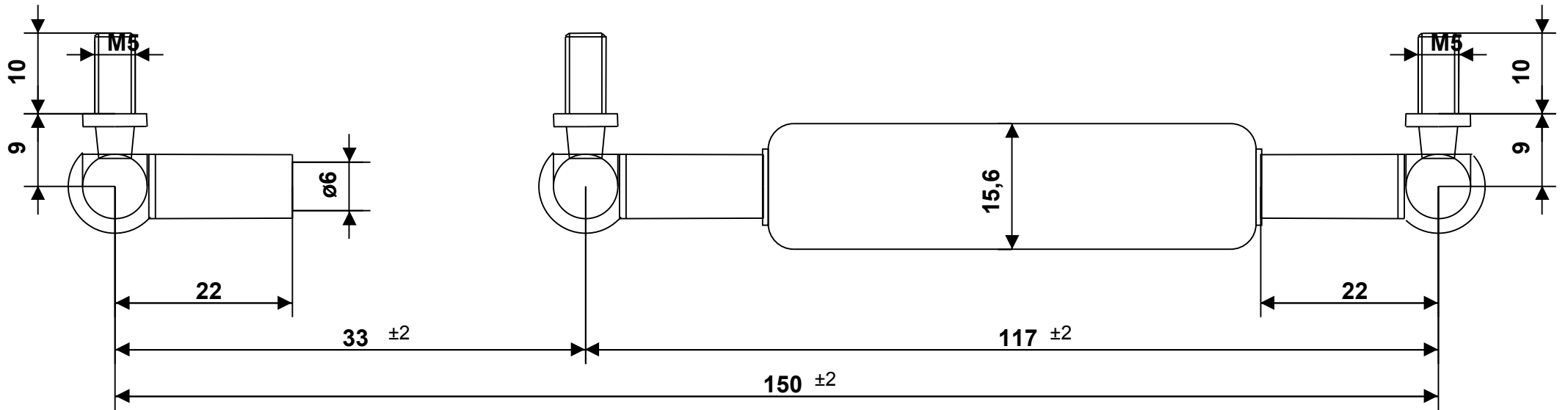


Hahn Part Number: 28-00FOG
G 06 15 0030 1 0150 WG22 WG22 00200N /4



Intended for internal use and customer / Tolerance of ext. length: +/- 2mm - Dimensions without tolerance: per DIN ISO 2768-1 -c (ISO 2768 -c) - For Information Only
 Force tolerance: F1 >= 1000N: +/- 5%; < 1000N: +/- 10%, min.: +/- 10N, max.: +/- 50N - Unregistered Copy, Print-out or file not subject to modification service.
 End fitting orientation is random and not represented by drawing unless specified - Observe disposal instructions - Not true to scale



Please note our technical instructions

Assembly/storing with piston rod down

22. July 2024

Auto-Printservice

No opening-no heating-high pressure

Made in Germany

Part

Dimension

Material / Surface

Fitting

Progr.:64,00 %

Drawing owned by Hahn Gasfedern GmbH

Piston rod

Ø6mm

V2A

WG22 M5/M5 CS8

info@hahn-gasfedern.de

Cylinder

Ø15,6mm

Stahl,verzinkt

WG22 M5/M5 CS8

www.hahn-gasfedern.de

Configuration ID : 10055184-