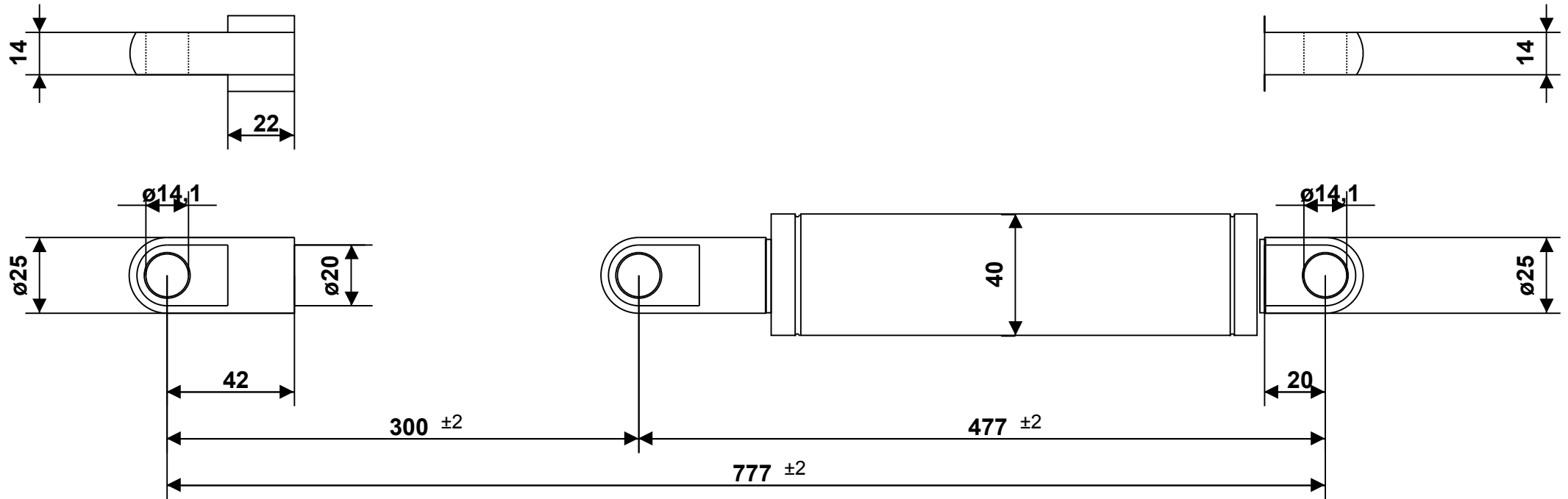


Hahn Part Number: 28-02NT4
G 20 40 0300 1 0777 AU42 AZ20 02500N /5/Si



Intended for internal use and customer / Tolerance of ext. length: +/- 2mm - Dimensions without tolerance: per DIN ISO 2768-1 -c (ISO 2768 -c) - For Information Only
 Force tolerance: F1 >= 1000N: +/- 5%; < 1000N: +/- 10%, min.: +/- 10N, max.: +/- 50N - Unregistered Copy, Print-out or file not subject to modification service.
 End fitting orientation is random and not represented by drawing unless specified - Observe disposal instructions - Not true to scale



Please note our technical instructions

Assembly/storing with piston rod down

04. Sept 2024

Auto-Printservice

No opening-no heating-high pressure

Made in Germany

Part

Dimension

Material / Surface

Fitting

Progr.:40,70 %

Drawing owned by Hahn Gasfedern GmbH

Piston rod

Ø20mm

Stahl, hartverchromt

AU42 M14x1.5 Ø14.1 t=14

info@hahn-gasfedern.de

Cylinder

Ø40mm

Stahl,schwarz

AZ20 Ø14,1 t=14

www.hahn-gasfedern.de

Configuration ID : 10057352-