

Topydic Small Hollow Shaft Incremental Encoder EI40P



Descriptions

Topydic series small shaft incremental encoder-EI40P delivers outstanding performance in mechanical shock-resistance and is capable of withstanding higher axial and radial loads so as to meet various industrial environments. Its special position of cabling fits to the limited installation space. Combining advanced signal processing technology with multiple types of electrical output, EI40P are capable of matching various upper control computers.

Features

- Stainless steel shaft ensures safety and stability in operation
- Optional types of flange connection offers more flexibility
- Metal casting housing for greater shock resistance
- Side cabling design greatly saves the installation space and simplifies wiring
- Reverse connection protection; short circuit protection

Mechanical Characteristics

Shaft diameter (mm)	Φ6H7/Φ8H7
Protection grade	IP66 standard, IP67 optional
Max. speed/minute	6000
Max. load capacity of the shaft	60N axial 100N radial
Shock resistance	50G/11ms
Vibration resistance	10G 10~2000HZ
Bearing life	10 ⁹ revolution
Moment of inertia	1.9×10 ⁻⁶ kgm ²
Starting torque	<0.08Nm
Body material	Al-alloy
Housing material	Zn-alloy
Operating temperature	-20~+85°C
Storage temperature	-25~+100°C
Weight	110g

Regular resolution: **10, 20, 30, 40, 50, 60, 70, 80, 90, 100, 200, 300, 360, 400, 500, 512, 600, 800, 1000, 1024, 1200, 1250, 2000, 2500, 4000, 5000**

Note: Bold part is normally in stock. Other resolution are available only upon request.

Electrical Characteristics

Output circuit	RS422	Push-pull
Resolution	Max.5000ppr	Max.5000ppr
Supply voltage(VDC)	5±0.25 or 10-30	10-30
Power consumption(no load)	≤80mA	≤125mA
Permissible load(channel)	±20mA	±80mA
Pulse frequency	Max.300kHz	Max. 300kHz
Signal level high	Min. 2.5V	Min.Ub-1.8
Signal level low	Max. 0.4V	Max. 0.5V
Rise time Tr	Max. 200ns	Max.1μs
Fall time Tf	Max. 200ns	Max.1μs

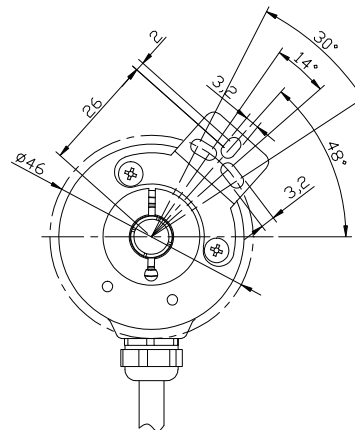
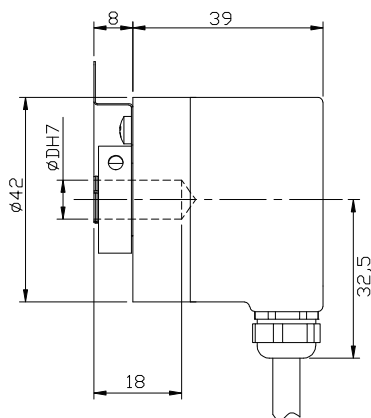
Topydic Small Hollow Shaft Incremental Encoder EI40P

Terminal Configuration

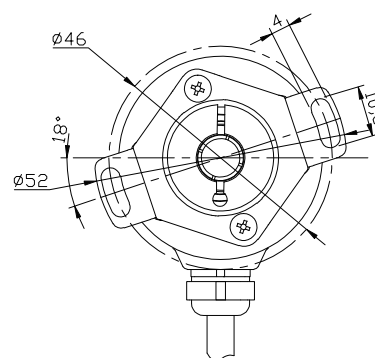
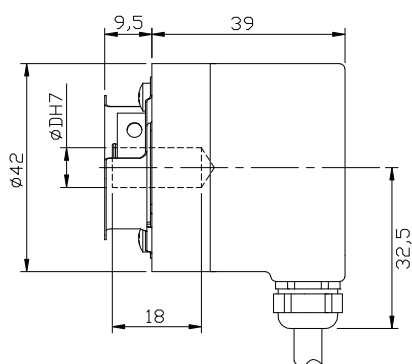
Signal	0V	+U _b	A	\bar{A}	B	\bar{B}	Z	\bar{Z}	0V Sen	+U _b Sen	Shield
Color	WH	BN	GN	YE	GY	PK	BU	RD	GY/PK	RD/BU	\perp
Pin	10	12	5	6	8	1	3	4	11	2	PH

Dimensions

EI40P



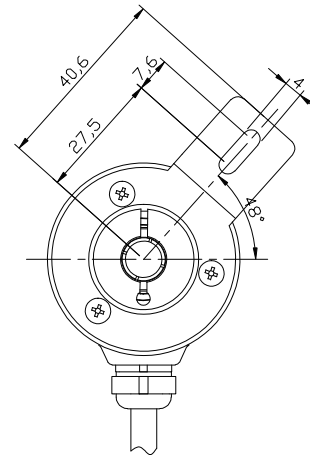
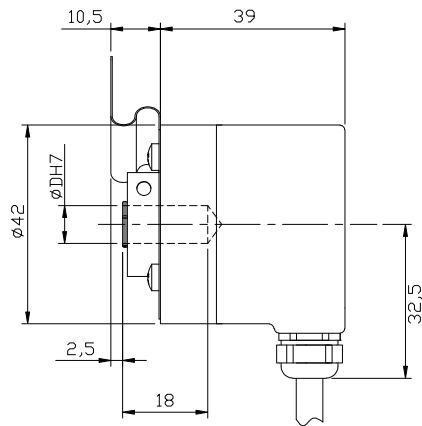
EI40F



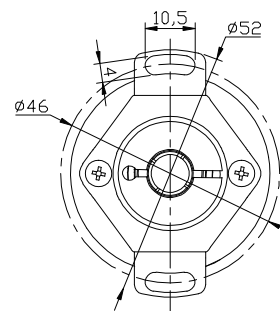
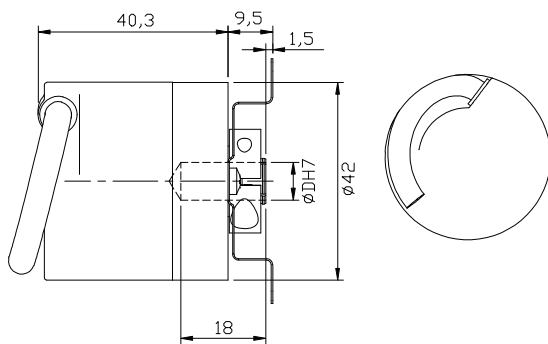
Topydic Small Hollow Shaft Incremental Encoder EI40P

Dimensions

EI40H

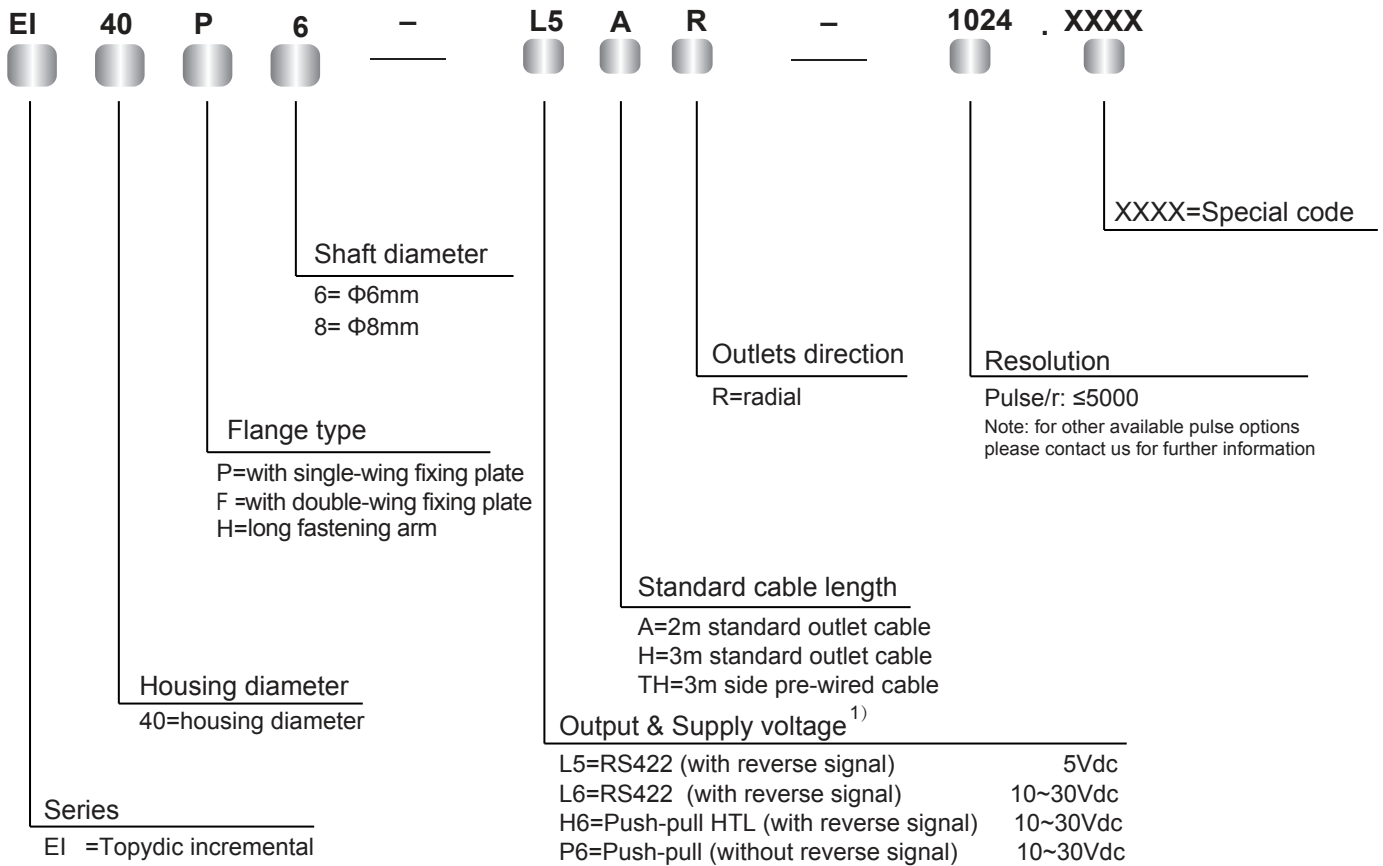


EI40F side pre-wired cable



Topydic Small Hollow Shaft Incremental Encoder EI40P

Order Code:



¹⁾ When the voltage supply within the limited range and only one signal channel is connected improperly at certain moment:
if UB=5V, it's pXremitted to connect to signal channals, 0V or UB;
if UB>5V, it's premitted to connect to signal channals or 0V.