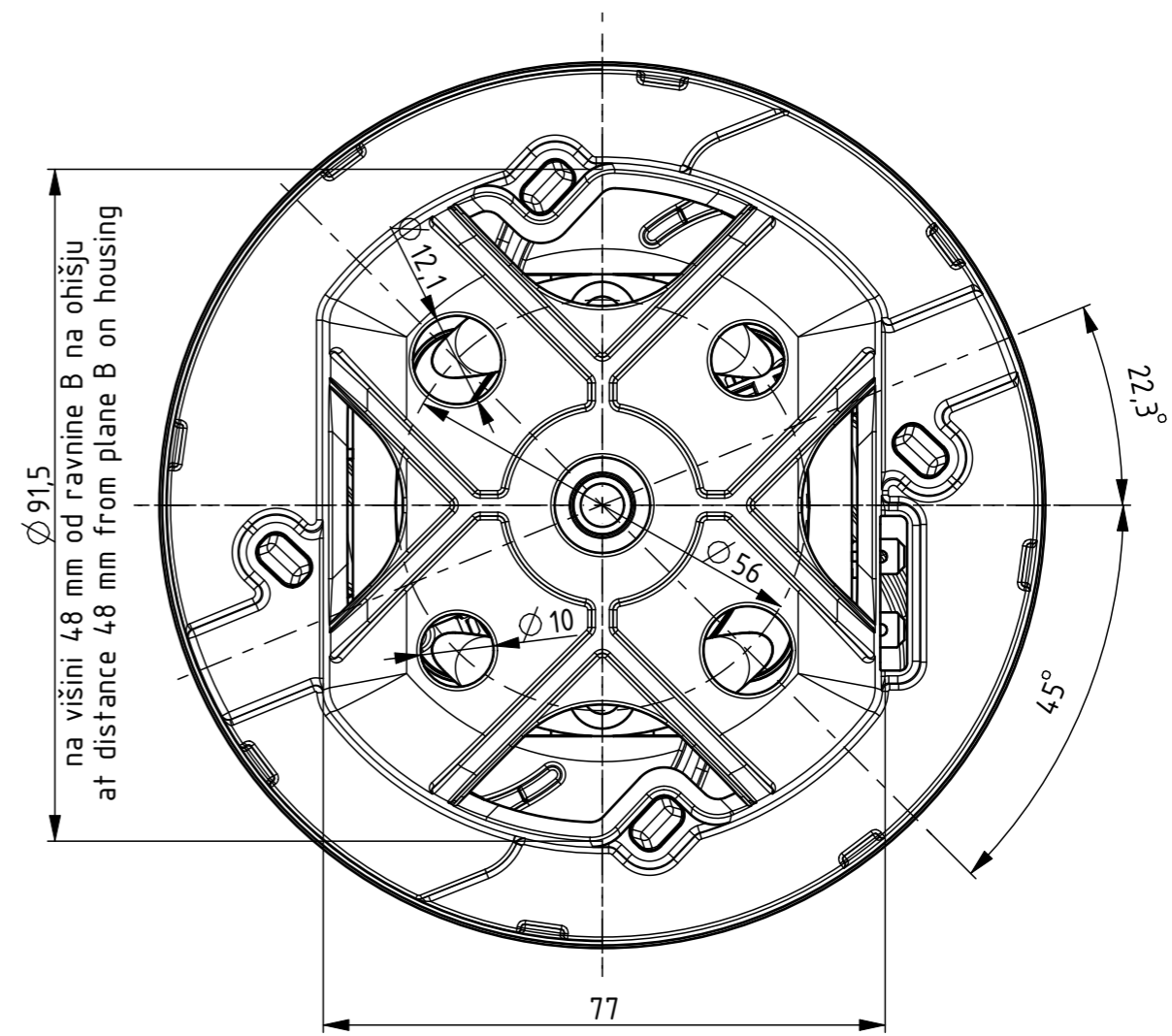
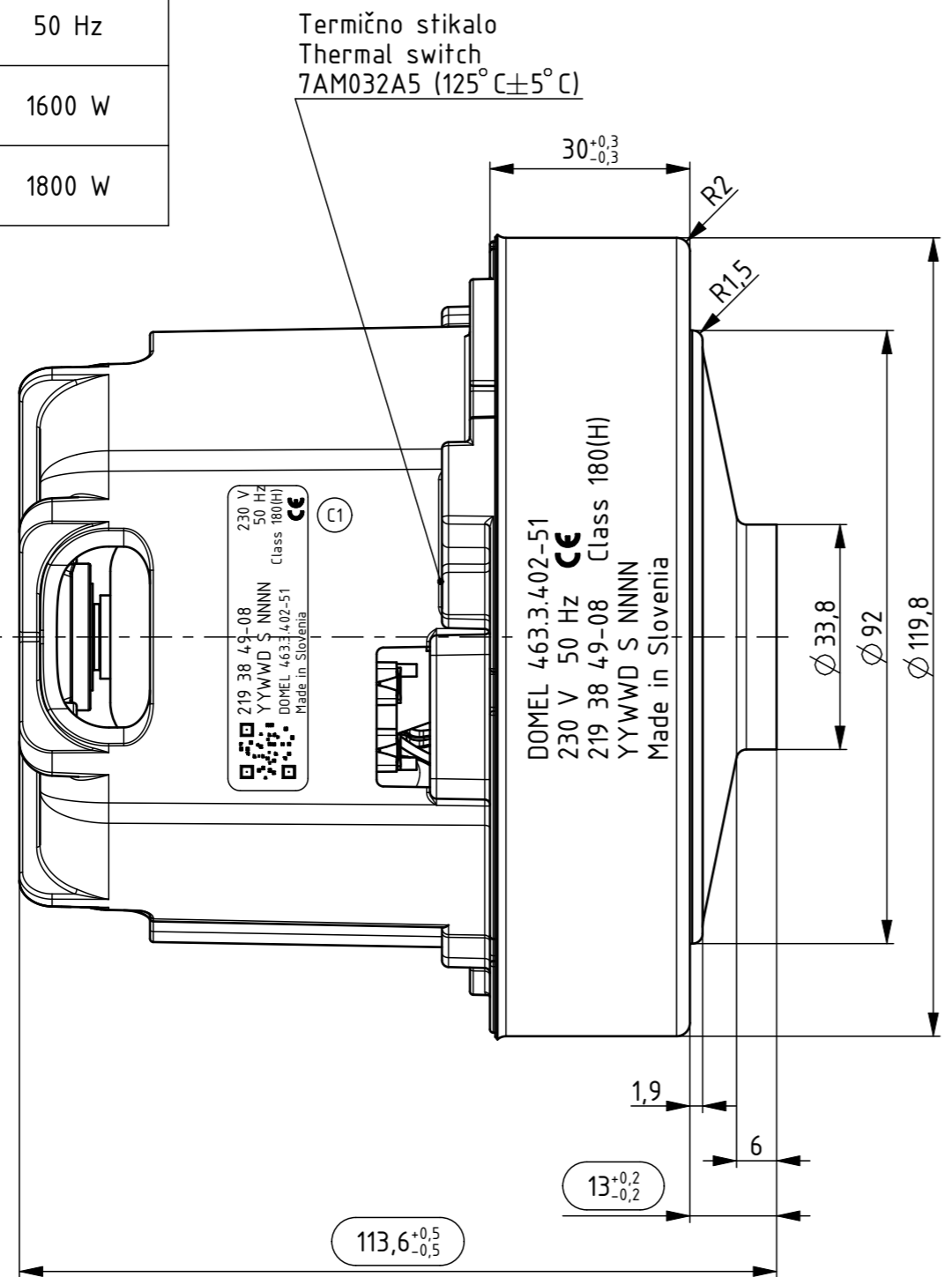


Izdelano s CAD/ProEngineer - ročno spreminjanje ni dovoljeno! Vsak prenos tretjim osebam ali uporaba v nedogovorjene namene ni dovoljena po zakonu o avtorskih pravicah.
Made with CAD/ProEngineer - changing is not allowed! Any unauthorized copying of this drawing or unauthorized distribution of the information contained herein is prohibited.

1	2	3	4	5	6	7	8	9
---	---	---	---	---	---	---	---	---

NAPETOST VOLTAGE	230 V
FREKVENCA FREQUENCY	50 Hz
NAZIVNA MOČ NOMINAL POWER	1600 W
MAKSIMALNA MOČ MAXIMAL POWER	1800 W

Verzija _____ Status _____



○, * - pomembna mera
important dimension

Opombe / Remarks
QR koda / QR code:
219384908YYWWSNNNN1049251

OSNOVNE ZNAČILNOSTI		TYPICAL CHARACTERISTICS	
IZVEDBA	ENOSTOPENJSKA	FAN SYSTEM	SINGLE STAGE
ULEŽAJENJE	DVA KROGLIČNA LEŽAJA	BEARINGS	DUAL BALL
VRSTA PRETOKA	SKOZI MOTOR	DISCHARGE	THRU FLOW
SMER VR TENJA	DESNA	DIRECTION OF ROTATION	CW

Tolerance odprtih mer Tolerances without individual indications ISO 8015 ISO 2768 - mK				Površinska hrapavost Surface finishing		Merilo Scale 1:1		Original format ISO 5457 - A3	
Datum/Date				Ime/Name		Naziv Title			
Izdelal Designed				24.01.12		T. Čemažar		SESALNA ENOTA VACUUM CLEANER MOTOR	
Pregl. Verified				04.05.16		J. Rihtaršič			
Ozn. Mark				Št. obvestila Nr. of notice		Datum Date		Ime Name	
C2				12347		04.05.16		T. Čemažar	
B2				10633		14.02.13		D. Vrhunc	
A0				10285		15.05.12		D. Vrhunc	
DOMEL®				Otoki 21, 4228 Železniki, Slovenija		Koda Code		4633.402-51	
								List Sheet 3+	
								Stran Page 1	
								4633402051_SESALNA_ENOTA	