

G003115

System: All Salwico Fire Alarm Systems

Base Plate

UB-6

Part no. 044445

General Description

UB-6 is a low profile base plate for smoke, heat and flame detectors.

UB-6 is developed to replace the following bases:

- UB-1
- UB-2
- UB-5
- NS-BNCL

Please see separate document "Base Matrix" for information about suitable bases for detectors.

The base plate is made for use in dry and clean spaces, and it can be used for both addressable and conventional fire alarm systems. Some detectors might require special bases.

The cable entry is from the centre or from the side of the base.

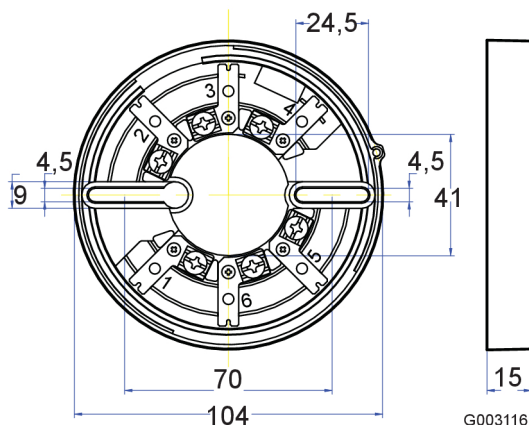
UB-6 is prepared for SUM-2 assembly. Detectors in the CN, EV and EVC series can be locked to the base using a 1,5 mm hexagon key.

**NOTE!**

Consilium requires minimum 2x0.5mm² unshield twisted pair cable for the loop units.

Data

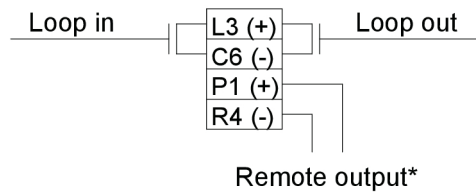
Ingress protection	IP22
Material	PC/ABS
Colour	Signal white, RAL 9003
Weight	~65 g

Dimensions (mm)

G003116

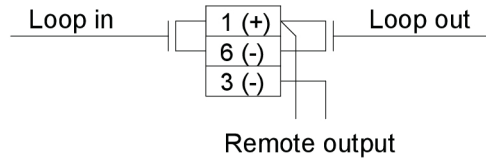
Connection

Connection of addressable detectors IA, OA, TDT and EV-PP series:



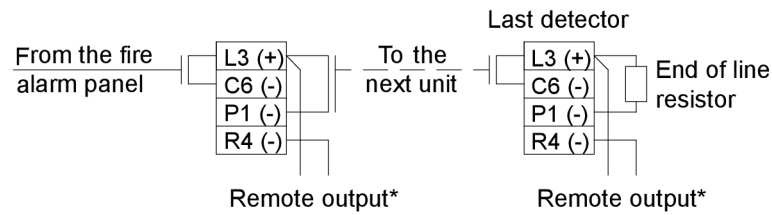
G003132

Connection of addressable detectors NS, CN and EV-series** (EV-PP excluded):



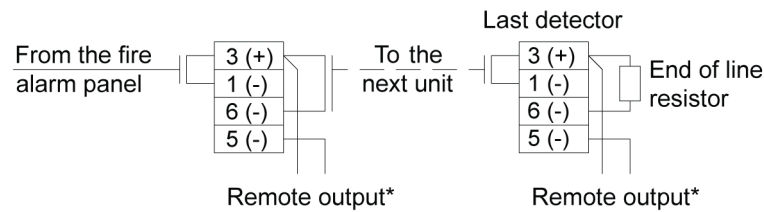
G003133

Connection of conventional detectors DIS3, DOS3, HCI00, NS-DIR and NS-DUV:



G003134

Connection of conventional flame detectors EVC-IR (not NS-DIR or NS-DUV):



G003135

* All types of detectors do not have the remote output. Please refer to the data sheet for the detector in question.

** For loop units with short circuit isolators, see connection on data sheet for that unit.