

Compact Pressure Switches

9692X

Piston pressure switch with explosion proof housing, for hazardous areas, accuracy class 2% f. s.

Features

- ▶ Stainless steel body and parts,
- ▶ Flameproof enclosure according to ATEX, UL, EMI, (EN55011) CSA
- ▶ Safe to adjust during operation
- ▶ 1 switching contact (SPDT or DPDT)
- ▶ SIL2 (IEC 61508)

Adjustment ranges

10.3 ... 689.7 bar

Applications

Process Industry,
Petrochemical Plants,
Machine Tool Industry,
Compressors



Technical Data

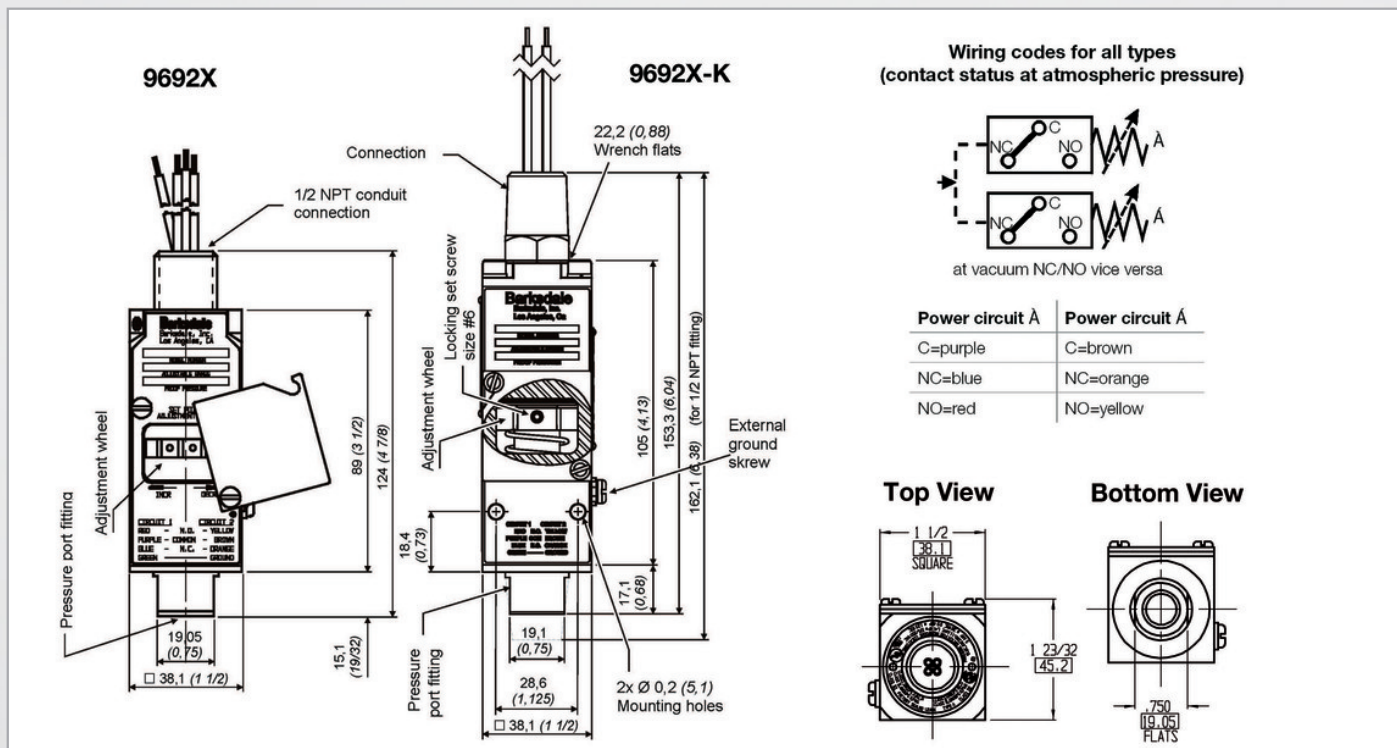
Wetted parts:	
Process connection:	Stainless steel, material no. 1.4401
Seals:	FKM
Piston:	Material no. 1.4006 (Stainless Steel)
Repeatability:	±2 % f. s.
Switching rate:	max. 30/min
Temperature range:	-20 °C ... +60 °C operating temp. -40 °C ... +75 °C Atex Ex ia -20 °C ... +60 °C Atex Ex d -20 °C ... +40 °C UL
Protection class:	IP65
Housing:	Stainless steel 1.4401, explosion proof Option K = Mounting holes and wrench flats
Process connection:	1/4" NPT female thread
Electrical connection:	1/2" NPT AG male conduit connector 18 AWG 18" (450 mm) lead wire, PVC jacket

Switch type:	Switch contact SPDT (1CC) or DPDT (2CC)
Rating:	11 A, 125 / 250 V AC 5 A, 30 V DC
Weight:	375 g
Set point adjustment:	Turn the adjustment wheel clockwise to increase the set point
Vibration resistance:	10 g, sine 10...500, MIL-STD 202F
Shock resistance:	50 g, 11 ms, MIL-S-901C
Approval:	Ex d II C T6, UL #E37043, CSA #LR22354 and Division I Class I, Group A, B, C & D; Class II, Group E, F & G
Certificate no.:	LCIE 08 ATEX 6074 X
Options:	Gold contact with SPDT (1GH) or with DPDT (2GH) 1A, 125 V AC Ex terminal box Tamper proof cover

Compact Pressure Switches

9692X

Dimensions (mm / inch)



Electrical Connection

Function	Pressure	
	Circuit 1	Circuit 2
Normally Open / NO	red	yellow
Common / C	purple	brown
Normally Closed / NC	blue	orange
Earth	green	

Pressure Ranges

Ordering code 1 Switch contact SPDT (standard)	Ordering code 1 Switch contact DPDT (option)	Adjustment ranges [bar]				Max. hysteresis (end of range) [bar]	Max. operating pressure [bar]	Proof pressure [bar]
		Increasing press.		Decreasing press.				
		min.	max.	min.	max.			
9692X-1CC-1	9692X-2CC-1	10.3	51.7	6.9	41.4	10.3	600	1034
9692X-1CC-2	9692X-2CC-2	15.2	69.0	10.3	55.2	13.8	600	1034
9692X-1CC-3	9692X-2CC-3	34.5	207.0	27.6	179.0	27.6	600	1034
9692X-1CC-4	9692X-2CC-4	57.9	345.0	48.2	303.0	41.4	600	1034
9692X-1CC-5	9692X-2CC-5	82.8	571.0	69.0	462.9	55.2	600	1034
9692X-1CC-6	9692X-2CC-6	15.2	207.0	10.3	55.2	68.9	600	1034
9692X-1CC-7	9692X-2CC-7	368.6	689.7	344.8	606.9	137.9	690	1034

Accessories

Order Number	Description
926-0811	Ex d - Terminal box incl. terminal (drawing 923-1533 on request)
999-0081	Tamper proof cover