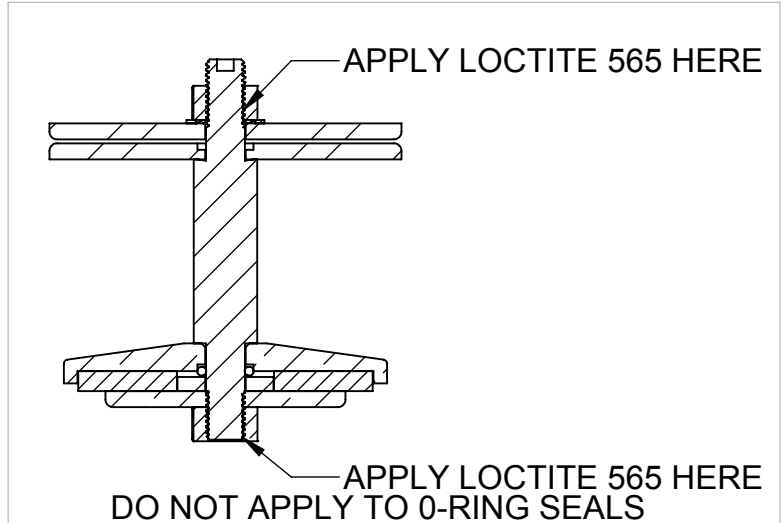


REVISIONS					
ZONE	ECN	REV.	DESCRIPTION	DATE	APP'D
	102029	H	REDRAWN IN SOLIDWORKS, 1-WAS BR1074296	5-30-13	NBE
	103665	J	1-ITEM#10-WAS:BR43243, 2-ADD'D: ITEM#20	19AUG14	TJM
	103821	K	1- FIXED BOM/BALLOON NUMBERING, 2- UPDATED TITLE BLOCK	24SEP14	MCP
	103964	L	1-ITEM #20 WAS: 1073594	07NOV14	TJM
	1001	M	AQ Matic update & verified part numbers	16JAN17	MGS

NO.	DESCRIPTION	STD	PART NO.	QTY
1	VALVE BODY, 425, CI 2" NPT	*	1074277	1
2	SEAT, BRASS (REQ'S ASSY TOOL)	*	1074321 (425)	1
3	HEX NUT (5/16-24)	*	1263853	2
4	DISC PLATE, AV5	BRASS	1074313	1
5	O-RING	FKM	1071794 (ORV-035)	1
6	DISC	TEFLON	1074311 (425)	1
		HYCAR	1074310 (425)	
7	DISC HOLDER, AV5	BRASS	1074304	1
8	O-RING	FKM	1071786 (ORB-011)	2
9	O-RING	FKM	1071795 (ORB-038)	1
10	SHAFT GUIDE (REQ'S ASSY TOOL)	SS	43775	1
11	CAP, 425, NPT TAP TOP	CAST IRON	1074281	1
12	SCREW 5/16-18x1 1/8", HX HD	*	1072400	6
13	DIAPHRAGM	BUNA N	1074296	1
		FKM	1074297	
14	HEX NUT, 5/16" - 18	PLATED STEEL	1071657 (NUZ-0011)	6
15	O-RING	AFLAS	1071664 (ORB-206)	2
16	SHAFT (NORMALLY OPEN)	*	1074314 (425)	1
18	PLATE, LOWER DIAPHRAGM	*	1074295	1
19	PLATE, UPPER DIAPHRAGM	*	1074294	1
20	LOCKWASHER, 5/16,INTERNAL	*	1073590	1

REPAIR PARTS KITS		
DESCRIPTION	PART NO.	
DIAPHRAGM & SEALS KIT CONSIST OF ITEM NO'S 3(2),5,6,8(2),9,14,16(2)	1070108 (AV5-RA)	1070503 (AV5-RAHT)
	INCLUDES DISC 1074310 (425-JH) DIAPHRAGM 1074296 (425-FB)	INCLUDES DISC 1074311 (425-JT) DIAPHRAGM 1074297 (425-FV)
INT. PARTS KIT (NORM. OPEN) CONSIST OF STANDARD ITEM NO'S 4,7,10,17,18,19,20	1070504 (AV5-RF)	
SEAT (ITEM NO. 2)	1074321 (425-MO)	

ASSEMBLY TOOLS	
DESCRIPTION	PART NO.
FOR INSTALLATION & REMOVAL OF SEAT (ITEM #2) (TOOL NOT SHOWN)	1074411 (426-MT)
FOR INSTALLATION & REMOVAL OF SHAFT GUIDE (ITEM #10) (TOOL NOT SHOWN)	1074299 (425-GAT)



NOTE:

- AMERICAN NATIONAL STANDARD TAPER PIPE THREADS (NPT) PER ANSI B2.1-1968
- VALVES AVAILABLE WITH B.S.P.T. END CONNECTIONS.

COMPONENTS / ASSEMBLIES TO BE COMPLIANT AND COMPATIBLE WITH EUROPEAN UNION DIRECTIVE 2011/65/EEC (RoHS2) & REGULATION (EC)1907/2006 (REACH) REQUIREMENTS

THIS DOCUMENT IS SOLELY THE PROPERTY OF AQ Matic VALVE & CONTROLS COMPANY INC. REPRODUCTION, USE, DISCLOSURE, OR TRANSMISSION OF THIS DOCUMENT OR DETAILS CONTAINED HEREIN, IN PART OR IN WHOLE, IS PROHIBITED WITHOUT THE WRITTEN CONSENT OF AQ Matic ENGINEERING. THIS DOCUMENT AND ANY COPIES SHALL BE RETURNED TO AQ Matic UPON REQUEST.

DO NOT SCALE DRAWING. DIMS. ARE IN INCHES [mm]
INTERPRET DIMS AND TOLERANCES PER ASME Y14.5M-2009 UNLESS OTHERWISE SPECIFIED.
ALL FINISHED MACHINED SURFACES 125 √ OR BETTER.
TOLERANCES:
ANGLES: ± 1°
1 PLACE .X: ± .015 [0.38]
2 PLACE .XX: ± .01 [0.3]
3 PLACE .XXX: ± .005 [0.13]

THIRD ANGLE PROJECTION	APPROVALS	DATE	 AQ Matic Valve & Controls Company Inc.
	NE	08-25-12	

TITLE: CATALOG SHEET, AV5

SIZE: B DWG NO.: BR1077637 REV: M

SCALE: 1:2 SHEET 1 OF 2