



Dittmer

**RTD
To dive
1.13.1**

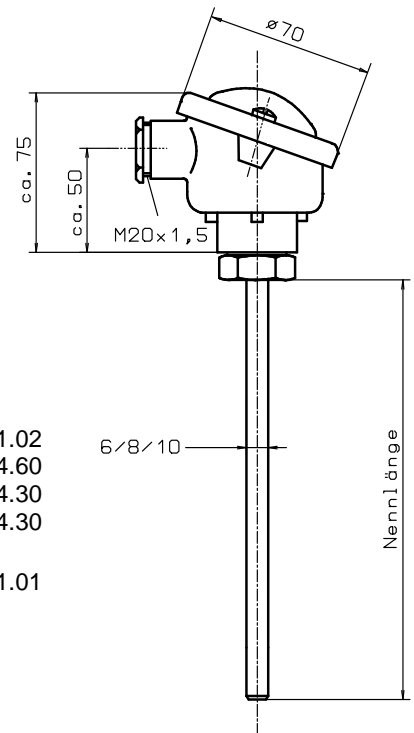
RTD to dive

Sensor-pipe 10 x 1 mm, Screw-joint movable

- Element** 1 x PT 100 / 2 x PT 100, not to change
Transmitter montage its possibly (sheet 18.1)
- Connection-head** Form B at Aluminium to DI N 43729 with
M 20 x 1,5 Cable-screw
- Connection-picture** sheet 19.20
- Working-temperature** Max. 550°C
- Reaction-time** in Water 0,4 m/s : $t_{0,5} \approx 30$ s, $t_{0,9} \approx 90$ s
in Air 1m/s : $t_{0,5} \approx 2,5$ min, $t_{0,9} \approx 6,6$ min
- Screw-joint**

- Materialal
- Steel coated R1/2" 0.41.01.02
- 1.4541 R1/2" 8.03.04.60
- 1.4541 R3/4" 8.06.04.30
- 1.4541 R1" 8.07.04.30
- Flange 0.41.01.01
- Steel coated

More example see 18.5 / 18.6 / 18.7



Implementation Pipe 1.4541 (V2A) stainless Steel X 6CrNiTi 1810

	Ø 6mm		Ø 8mm		Ø 10mm	
length in mm	Order-No. 1 x PT 100	Order-No. 2 x PT 100	Order-No. 1 x PT 100	Order-No. 2 x PT 100	Order-No. 1 x PT 100	Order-No. 2 x PT 100
180	4.13.04.13	4.13.04.14	4.13.04.15	4.13.04.16	4.13.04.17	4.13.04.18
250	4.13.04.23	4.13.04.24	4.13.04.25	4.13.04.26	4.13.04.27	4.13.04.28
300	4.13.04.33	4.13.04.34	4.13.04.35	4.13.04.36	4.13.04.37	4.13.04.38
350	4.13.04.43	4.13.04.44	4.13.04.45	4.13.04.46	4.13.04.47	4.13.04.48
400	4.13.04.53	4.13.04.54	4.13.04.55	4.13.04.56	4.13.04.57	4.13.04.58
500	4.13.04.63	4.13.04.64	4.13.04.65	4.13.04.66	4.13.04.67	4.13.04.68
Increase-Price						
3-wire	4.13.04.73	4.13.04.74	4.13.04.75	4.13.04.76	4.13.04.77	4.13.04.78
4-wire	4.13.04.83	4.13.04.84	4.13.04.85	4.13.04.86	4.13.04.87	4.13.04.88
50mm length	4.13.04.93	4.13.04.94	4.13.04.95	4.13.04.96	4.13.04.97	4.13.04.98

Implementation Pipe 1.4571 (V4A) stainless Steel X 6 CrNiMoTi 17122

	Ø 6mm		Ø 8mm		Ø 10mm	
length in mm	Order-No. 1 x PT 100	Order-No. 2 x PT 100	Order-No. 1 x PT 100	Order-No. 2 x PT 100	Order-No. 1 x PT 100	Order-No. 2 x PT 100
180	4.13.20.13	4.13.20.14	4.13.20.15	4.13.20.16	4.13.20.17	4.13.20.18
250	4.13.20.23	4.13.20.24	4.13.20.25	4.13.20.26	4.13.20.27	4.13.20.28
300	4.13.20.33	4.13.20.34	4.13.20.35	4.13.20.36	4.13.20.37	4.13.20.38
350	4.13.20.43	4.13.20.44	4.13.20.45	4.13.20.46	4.13.20.47	4.13.20.48
400	4.13.20.53	4.13.20.54	4.13.20.55	4.13.20.56	4.13.20.57	4.13.20.58
500	4.13.20.63	4.13.20.64	4.13.20.65	4.13.20.66	4.13.20.67	4.13.20.68
Increase-Price						
3-wire	4.13.20.73	4.13.20.74	4.13.20.75	4.13.20.76	4.13.20.77	4.13.20.78
4-wire	4.13.20.83	4.13.20.84	4.13.20.85	4.13.20.86	4.13.20.87	4.13.20.88
50mm length	4.13.20.93	4.13.20.94	4.13.20.95	4.13.20.96	4.13.20.97	4.13.20.98

Implementation in another versions and length possible